



Equipment for the Foodservice Industry

value + quality + service

48 inch Range

RCTRS-8B



*Optional Casters and Oven rack available

EFI 48 inch Range Features

Stainless steel front, back, sides, kick plate including back guard and high shelf

Heavy duty lift-off cast iron burners rated at 25,000 BTU/hr

12" x 12" cast iron top grates

¾" thick polished steel griddle plate on applicable models

Grease trough on griddle models

Oven size is 26 ½ x 26 x 14"

Oven burner rated at 27,000 BTU/hr

Oven pilot with 100% safety shut off

Stainless steel oven burners and pilots

Multiple position oven rack guides

One chrome rack per oven. Additional racks available

Manifold Operating Pressure
5" WC/ 11mbar natural gas
10" WC/ 25mbar propane

One year limited warranty parts and labour

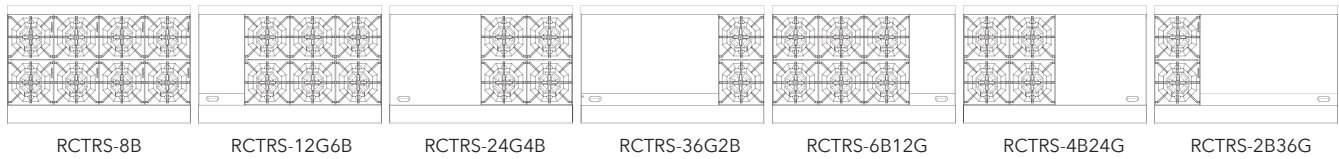
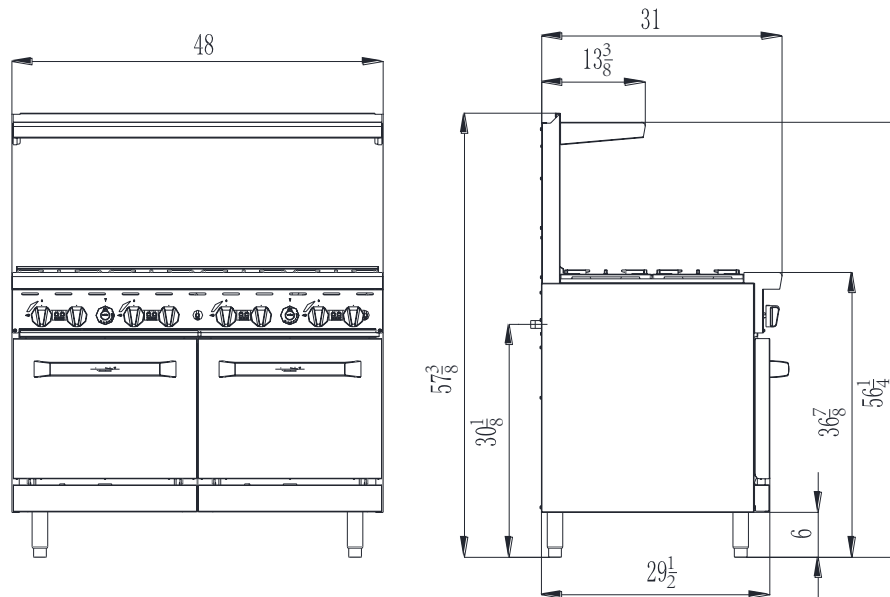
Specifications subject to change without notice



WARRANTY
INFORMATION
One year parts
and labour.



EFI 48 inch Range Specifications



Model	Description	Total B.T.U./h	Shipping Weight Lbs/kg
RCTRS-8B-N	8 Burners	248,000	719/327
RCTRS-8B-P		232,000	
RCTRS-12G6B-N	12" Griddle and 6 Burners	219,000	757/344
RCTRS-12G6B-P		207,000	
RCTRS-24G4B-N	24" Griddle and 4 Burners	196,000	783/356
RCTRS-24G4B-P		188,000	
RCTRS-36G2B-N	36" Griddle and 2 Burners	173,000	810/368
RCTRS-36G2B-P		169,000	
RCTRS-6B12G-N	6 Burners and 12" Griddle	219,000	757/344
RCTRS-6B12G-P		207,000	
RCTRS-4B24G-N	4 Burners and 24" Griddle	196,000	783/356
RCTRS-4B24G-P		188,000	
RCTRS-2B36G-N	2 Burners and 36" Griddle	173,000	810/368
RCTRS-2B36G-P		169,000	