

**efi** sales Ltd.

Equipment for the Foodservice Industry

value + quality + service

## Hot show cases

HCGS-2726



**HCGS-2726**

**Features**

### Standard Features:

Brilliant Internal LED illumination on topLED

Adjustable temperature controller

Temperature display

Adjustable chrome plated shelves

Front and back sliding doors

One year limited warranty parts and labour

Specifications subject to change without notice

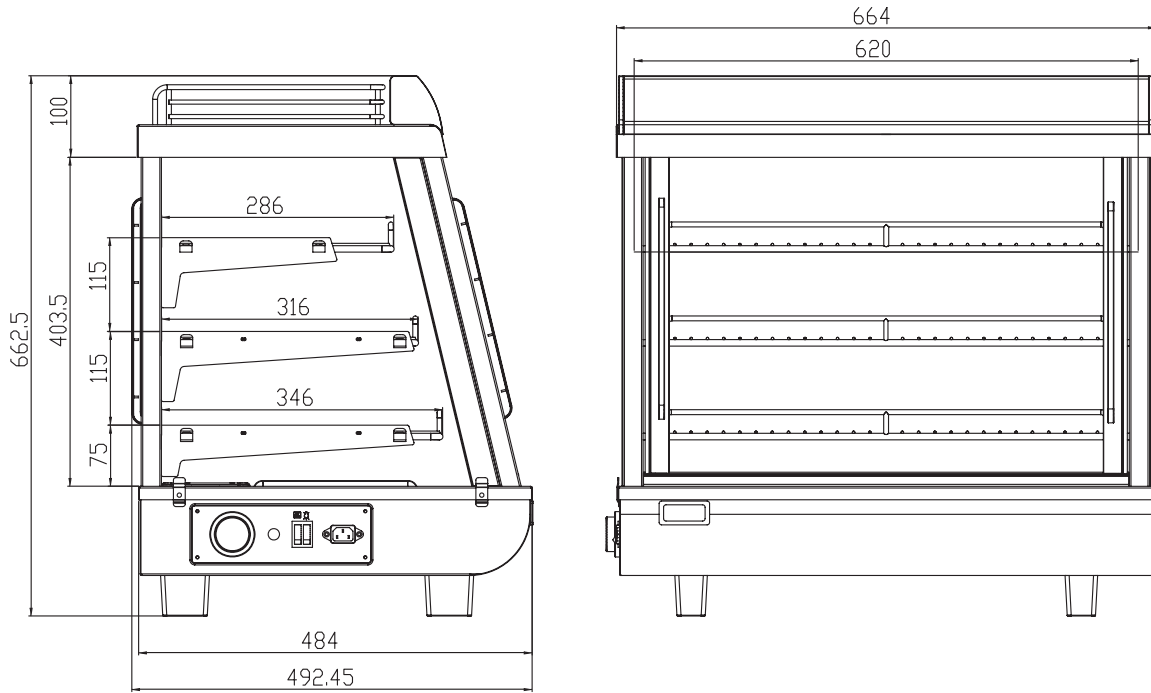


WARRANTY  
INFORMATION  
One year parts  
and labour.



**HCGS-2726**

**Specifications**



Model	Dimension			Voltage	Amps	Capacity (L)	Net Weight (KG)	Temperature Range
	L	D	H					
HCGS-2726	674.5	484	662.5	115/60	9.5	96	33.5	30-90°C
	26.6	19.1	26.1			3.4	73.7	86-194°F