



Equipment for the Foodservice Industry

value + quality + service

Glass Door Refrigerator Merchandisers

C1-22.5GDx



C1-22.5GDx

Features

Features:

- Low-E double tempered glass single door
- White steel interior
- Side LED interior lights
- Adjustable/removable coated steel shelves
- Bottom-mounted cooling unit is easy to remove and clean
- Mechanical temperature control
- Auto evaporation of defrosting water
- Cold air circulation via top fan for temperature balance
- Pre-installed casters
- Refrigeration unit holds 32°F to 50°F (0°C to 10°C) for optimum food preservation

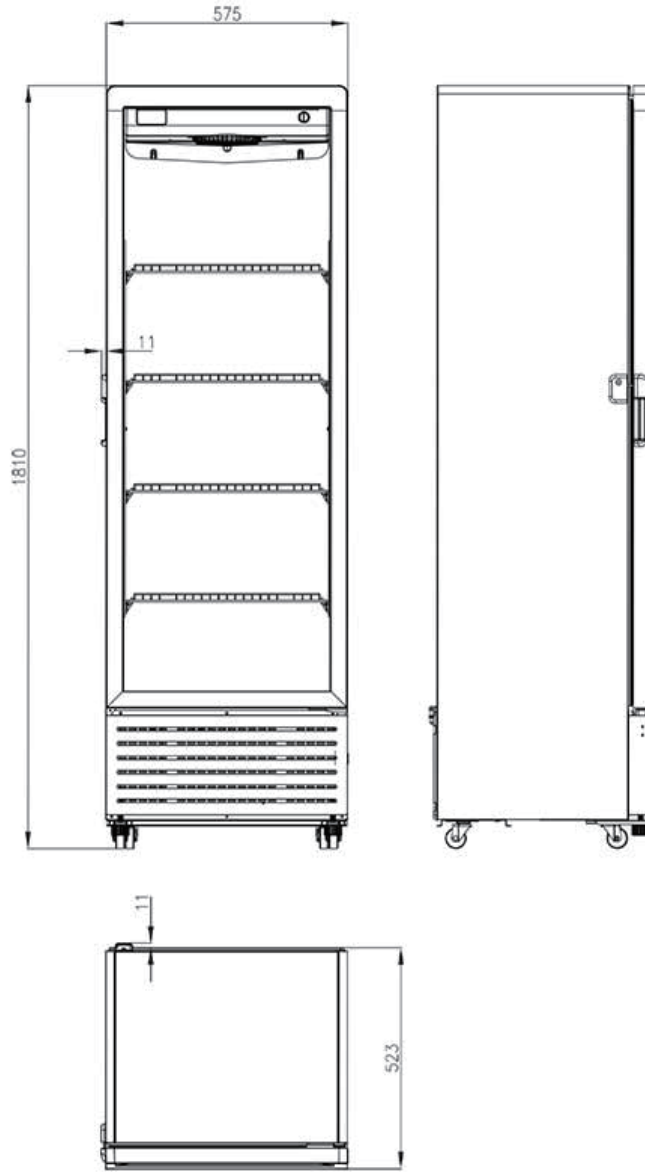
Warranty:

- Two year parts and labour; Five years on compressor. For full warranty details visit <https://www.efifoodequip.com/warranty-info.php>



C1-22.5GDX

Specifications



Model	Doors	Shelves	Dimension (mm)			HP	Voltage	Amps	Capacity (L) (Cu Ft.)	Net Weight (KG) (LBS)	Temperature Range	NEMA Config.
			L	D	H							
C1-22.5GDX	1	4	575	523	1810	1/10+	110/60	2	305	58	0 ~ 10°C	5-15P ⓘ
			22.6	20.6	71.3				10.8	128	32 ~ 55°F	

Specifications subject to change without notice.