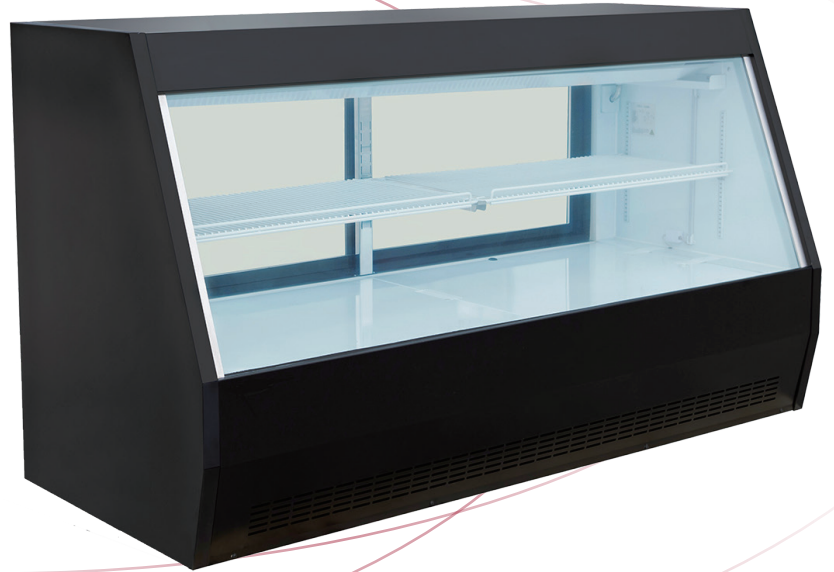




Equipment for the Foodservice Industry
value + quality + service

Refrigerated Deli Cases - Straight Glass

CDS-2000B



CDS-2000B

Features

Features:

- CABINET CONSTRUCTION
 - Exterior - black coated steel
 - Interior - attractive, aluminum liner with stainless steel floor
- Rounded corner design inside of the cabinet makes it easy to clean the inside storage room
- Standard door features: double pane, straight tempered frontal glass
- Refrigeration system: gravity coil
- R290 refrigeration system provides high humidity

environment for exceptional preservation of meats and deli products.

- Refrigeration system holds 32°F to 43°F (0°C to 6°C).
- Electronic control system: adjustable temperature set point and defrost frequency
- Error codes to diagnose service issues
- Adjustable, heavy duty PVC coated shelves
- Standard heavy-duty casters
- Easily accessible condenser coil for cleaning, and easy service access

- LED illumination

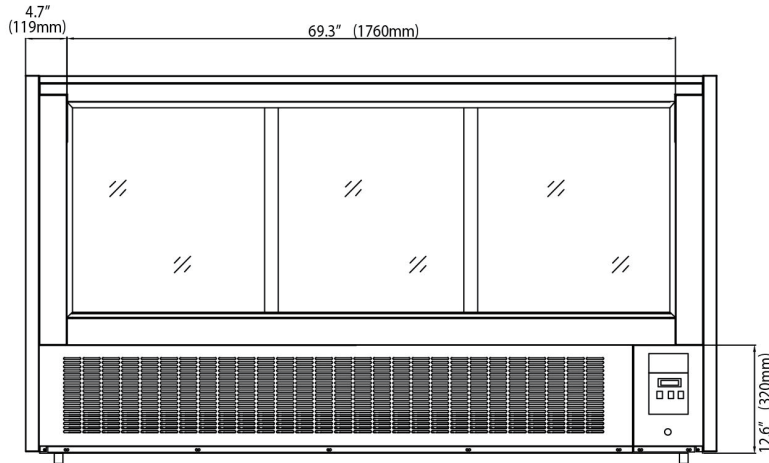
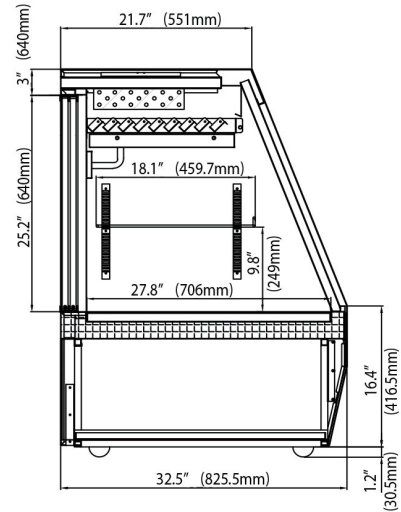
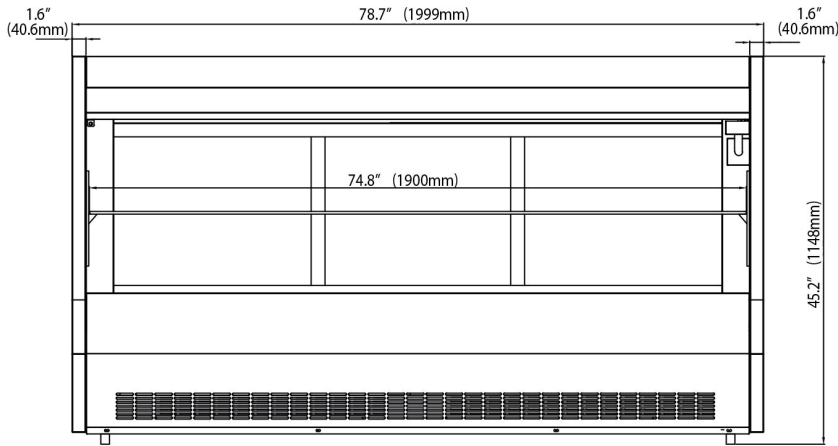
Warranty:

- Two year parts and labour; Five years on compressor
- Specifications subject to change without notice



CDS-2000B

Specifications



Model	Doors	Shelves	Cabinet Dimensions (inches / mm)			Capacity (L / Cu Ft.)	HP	Voltage	Amps	Net Weight (KG / LBS)	NEMA Config.
			L	D	H						
CDS-2000B	2	1	78.7 / 1999	32.5 / 825.5	45.2 / 1148	903 / 32	1/2	110/60	6	630 / 286	5-15P 