

17 RHEA



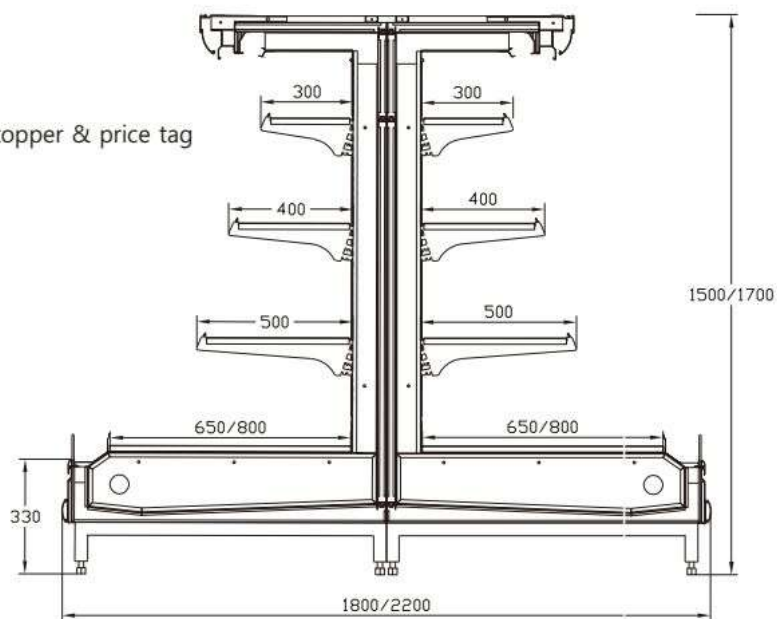
Type Code	RHEA	375	M	L
Name of product				
Cabinet length: 3 750 mm				
Cabinet depth: M-1800 mm X-2200 mm				
Cabinet height: L = 1 700 mm				

Standard features

- 4 sides open, increasing impulse sales
- 3 layers adjustable shelving, with plexiglass shelf stopper & price tag
- LED light under each shelf & top
- EBM evaporator fan motor
- Carel digital thermostat
- Danfoss expansion valve (R404a, R448A, R449A)
- With night blinds
- Rounded crown ends
- Custom color

Accessories

- Fruit & Vegetable display shelf
- EC evaporator fan motor
- Electronic expansion valve



RHEA	Models	180 End	220 End	187	250	375
Length	[mm]	1 800	-	1 875	2 500	3 750
(L) Temperature range	[°C]			+2 / +8		
M Display volume / Height 1 500 mm	[L]	855	-	1 780	2 370	3 560
Display volume / Height 1 700 mm (L)	[L]	1 025	-	2 135	2 850	4 270
X (L) Length	[mm]	-	2 200	1 875	2 500	3 750
Temperature range	[°C]			+2 / +8		
Display volume / Height 1 500 mm	[L]	-	1 210	2 060	2 740	4 120
Display volume / Height 1 700 mm (L)	[L]	-	1 450	2 475	3 300	4 950