



Project _____
 AIA # _____ SIS # _____
 Item # _____ Quantity _____ C.S.I. Section 114000



AM16SCB ELECTRIC Chemical Sanitizing Door-Style Dishwashing Machine



STANDARD FEATURES

- + .67 gallons per rack pumped final rinse
- + 72 racks per hour – chemical sanitizing
- + Chemical pumps
- + Temperature and chemical lock outs
- + Two stage filtration
- + Pillarless opening
- + 5-sided insulated hood
- + User-friendly smart touchscreen controls
- + Single point electrical connection
- + WiFi connectivity
- + SmartConnect app and cloud with machine status, temperature logs, error code reporting, and cost, consumption and usage analysis
- + Pumped drain
- + Timed wash cycles for 1, 2, 4 or 6 minutes
- + NSF pot and pan rating for 2-, 4- & 6- minute cycles
- + Sense-A-Temp™ 30° F rise electric booster heater
- + Self-draining, high efficiency wash pump with stainless steel impeller
- + 17" door opening accommodates one 18" x 26" sheet pan or 30" sandwich cutting board
- + Stainless steel drawn tank, tank shelf, chamber, trim panels, frame and feet
- + Spring counterbalanced chamber with reinforced, thermo-plastic rollers
- + X- shaped revolving, interchangeable upper and lower anticlogging wash arms
- + Revolving, interchangeable upper and lower rinse arms
- + Slanted, self-locating, one-piece scrap screen and basket system
- + Automatic fill
- + Door actuated start
- + AutoClean
- + Service diagnostics
- + Straight-through or corner installation
- + Delime cycle with notification
- + Remote monitoring compatible

SPECIFIER STATEMENT

Specified unit will be a Hobart AM16SCB electric chemical sanitizing door type commercial dishwasher with built-in booster heater. Features include chemical pumps, 5-sided insulated hood, touchscreen controls with WiFi connectivity, NSF pot and pan rating for 2-, 4- & 6-minute cycles, 17" door opening, pumped drain, auto door start with auto fill, interchangeable stainless steel rinse arms and X-shaped wash arms, delime cycle, advanced diagnostics and service connection, up to 72 racks per hour, .67 U.S. gallons per rack pumped final rinse.

1 year parts and labor warranty.

OPTIONS & ACCESSORIES (Available at extra cost)

- Peg rack
- Combination rack
- Door lock kit
- Splash shield for corner installations
- Bolt down and weld down feet
- Water hammer arrestor kit
- Rapid fill kit
- Pumped drain air gap
- Drain saddle
- Touchscreen guard
- Sink integration kit
 - Sink saddle & 3" leg extension
 - Sink rail kit
 - Fold down table

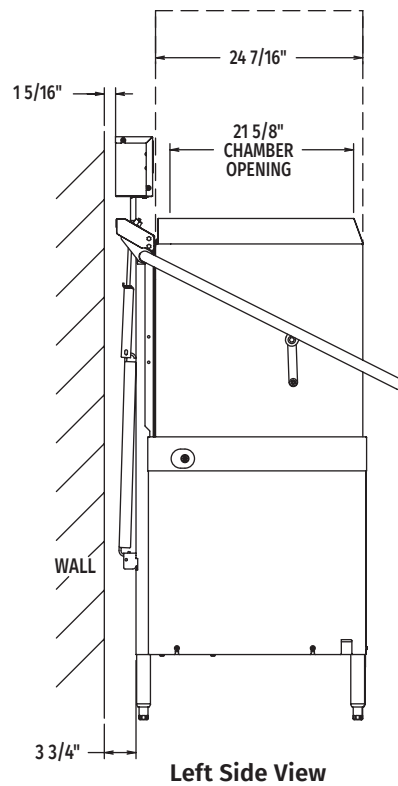
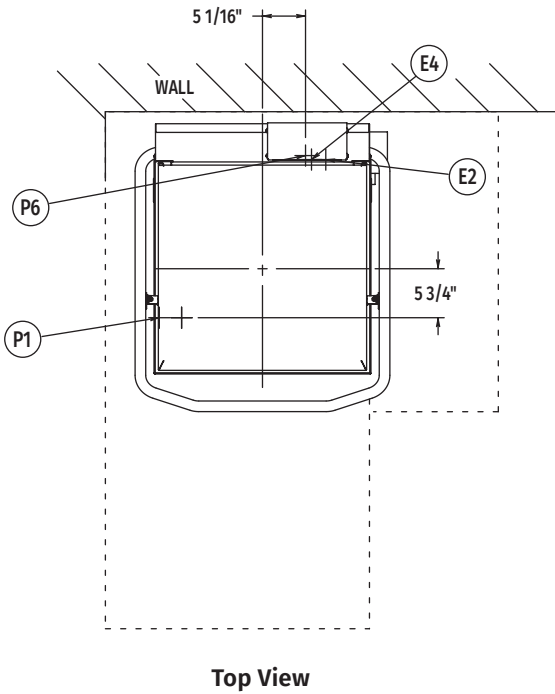
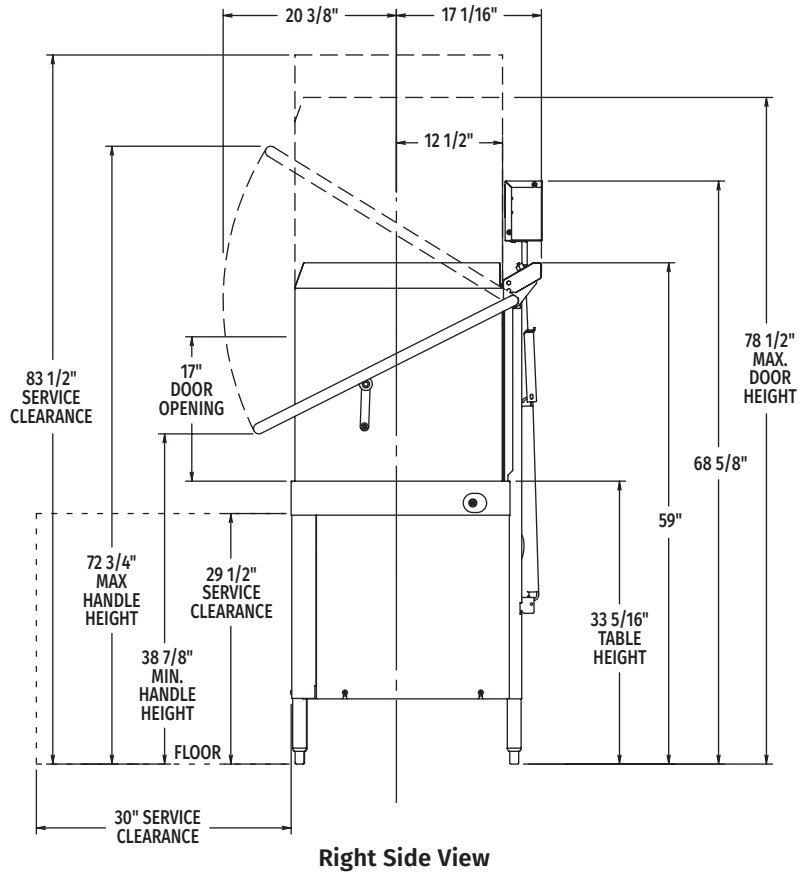
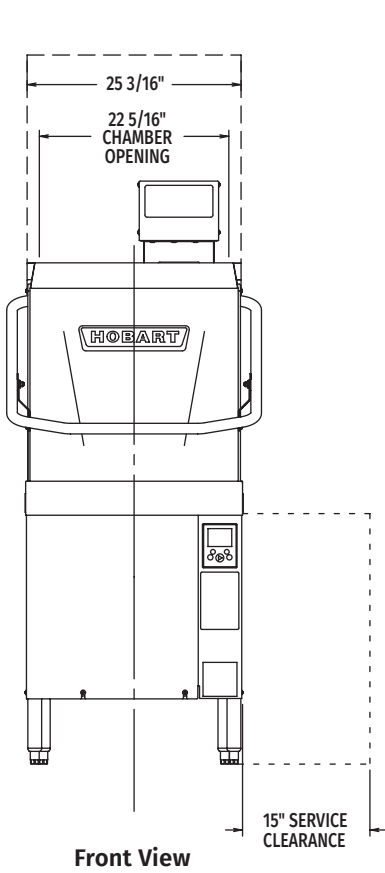
AM16 SERIES – AM16SCB ELECTRIC CHEMICAL SANITIZING

Approved by _____ Date _____ Approved by _____ Date _____



AM16SCB ELECTRIC

Chemical Sanitizing
Door-Style Dishwashing Machine



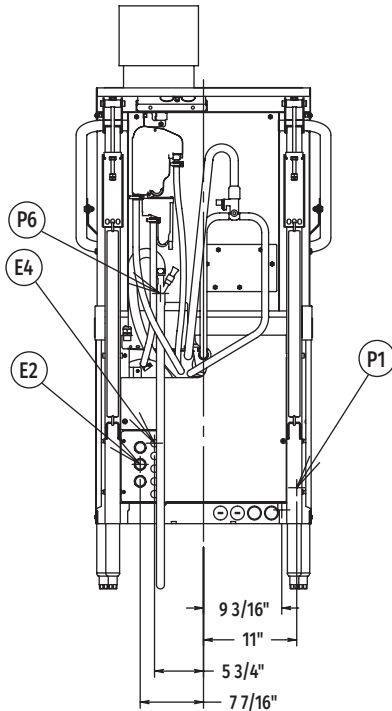
MODEL:
AM16-SCB
E-950440



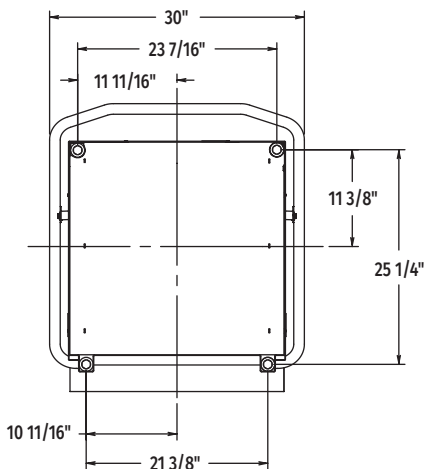
AM16SCB ELECTRIC

Chemical Sanitizing Door-Style Dishwashing Machine

WARNING: Plumbing and electrical connections should be made by qualified personnel who will observe all the applicable plumbing, sanitary, safety codes and National Electrical Code.



Rear View



Bottom View

LEGEND

Electrical Connections	
E2	Electrical connection: single point electrical connection, 1" or 3/4" conduit hole; 14-11/16" AFF.
E4	Electrical connection: vent fan control (VFC1 & VFC2) switching circuit only 1.5 amps @ nameplate supply voltage; 1/2" conduit hole, 17-3/16" AFF.
Plumbing Connections	
P1	Common water connection including booster heater: 120°F water recommended, 90°F water minimum, 15-65 PSI recommended; 3/4" female garden hose fitting on 8' long hose supplied with machine; 11-15/16" AFF.
P6	Drain connection: 5/8" barb fitting with 6' long hose supplied with machine; 34-13/16" AFF. Maximum height 40" AFF.

SPECIFICATIONS

Capacities

Racks Per Hour (maximum)	72
Dishes per Hour (average 25 per rack)	1,800
Glasses per Hour (average 45 per rack)	3,240
Wash Tank (U.S. gallons)	10.5

Motor Horsepower

Rinse Pump	0.18
Wash Pump	.2
Drain Pump	0.21

Rinse

Gallons per Rack	0.67
Gallons per Hour (maximum consumption)	47.9

Peak Rate of Drain Flow

Gallons per Minute (initial rate with full tank)	14.5
--	------

Heating

Electric Booster (kW)	4.3
Electric Heating Unit (kW)	4.3

Shipping Weight (approximate) 330 lbs.

Crated Dimensions 73.75"H x 36.5"W x 36.5"L

E2	AM16-SCB Single Point Electrical Service Connection as Shown Below		
Voltage	Rated Amps	Minimum Supply Circuit Ampacity	Maximum Protective Device
208/240/60/1	25.6/27.7	30-40/35-40	30-40/35-40

Note: Machine may be connected to MCA-MPD of 30 or 40 amps at 208 volts and 35 or 40 amps at 240 volts.

Electrical Note: Dishmachine not provided with internal GFCI protection.



AM16SCB ELECTRIC Chemical Sanitizing Door-Style Dishwashing Machine

Plumbing Notes: Water hammer arrestor (meeting ASSE-1010 standard or equivalent) to be supplied (by others) in common water supply line at service connection.

Recommended water hardness to be 3 grains or less for best results.

Note: Electric heating unit & booster (kW) calculated at 208V.

Recommended building flowing water pressure to the dishwasher at or above 20 PSI. Pressures lower than 20 PSI may affect machine fill/start-up times.

This is a pumped rinse machine. Pressure regulating valve is not necessary.

For convenience when cleaning, water tap should be installed near machine with heavy duty hose and squeeze valve.

Miscellaneous Notes: All dimensions taken from floor line may increase 7/8" or decrease 3/8" depending on leg adjustment.

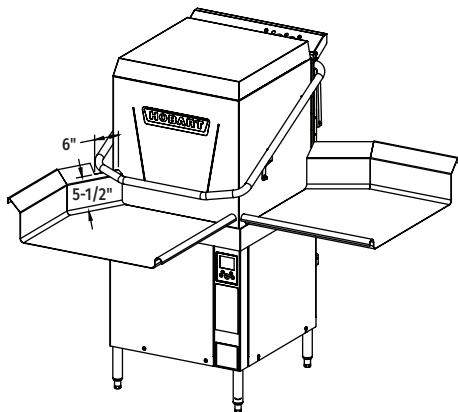
Net weight of machine including booster: 310 lbs.

Domestic shipping weight including booster: 330 lbs.

Size of racks – 19³/₄" x 19³/₄".

Approximate Heat Gain to Space	
Type	BTU/Hr.
Latent	3,570
Sensible	6,700

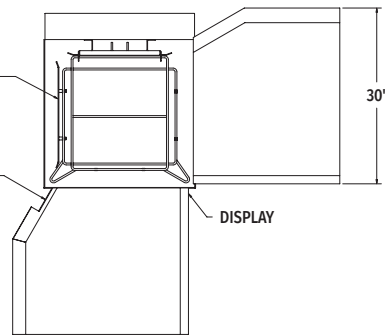
AM16 TABLING CONFIGURATIONS AND TRACK DESIGN



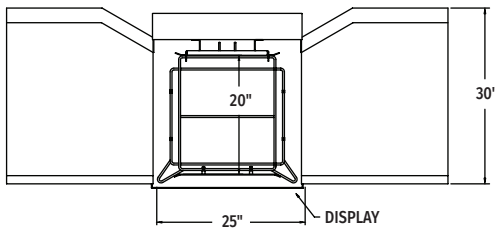
Top Inside View of Machine

NOTE: REPOSITION RACK TRACK BRACKET FOR CORNER INSTALLED UNITS

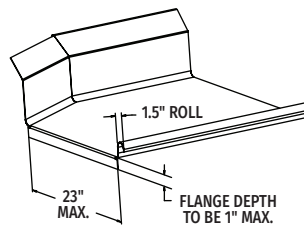
NOTCH FOR HANDLE CLEARANCE: 6" WIDE x 5 1/2" TALL MEASURED FROM TABLE SURFACE



Standard Height Corner Installation

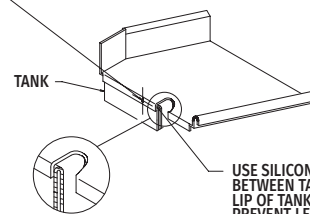


Pass Thru Installation



Suggested Table Design

DRILL Ø 0.344 HOLE THRU TANK WALL
5/16-18 SST TRUSS HD SCREW
5/16-18 SST LOCKWASHER
5/16-18 SST HEX HD NUT



USE SILICONE SEALER BETWEEN TABLE AND LIP OF TANK TO PREVENT LEAKAGE

As continued product improvement is a policy of Hobart, specifications are subject to change without notice.