



The New Symbol of Innovation

## Two Solid Half Door Refrigerator/Freezer



### J2SRF-20B

1/2 refrigerator, 1/2 freezer



Stainless steel interior & exterior standard!  
 Energy-saving half door design!  
 Convenient low box height - without sacrificing interior storage space!

#### STANDARD FEATURES:

- Capillary tube
- CFC-free R-134a & R-404a Refrigerant
- 2 Epoxy-Coated Wire Shelves per Door
- Snap-In Magnetic Door Gaskets
- 6' Cord & Plug
- 5" Casters
- Foamed-in-place Polyurethane Insulation
- Fully Covered Interior Corners
- Energy-Saving Half Door Design
- Door Locks Standard
- Top-Mounted Compressor & Evaporator Coil
- Electric Condensate Evaporator
- Exterior Digital Temperature Control
- Interior Lights
- Assembled in the USA

#### MATERIALS:

INTERIOR: 304 series stainless steel interior for durability and appearance.

Epoxy-coated wire shelves.

EXTERIOR: Stainless steel cabinet and doors.



#### DIMENSIONAL DATA (DUAL TEMPS):

Model No.	L	D	H	Half Doors	Cu.Ft.	Shelves	H/P	Volt	Amp.	NEMA	Ship Wt.
J2SRF-20B	29.1	32.5	76.2	2	20	4	1/5, 1/4	115/60/1	9.6	5-20P	360
J4SRF-40B	49.6	32.5	76.2	4	40	8	1/5, 1/2	115/60/1	10.7	5-20P	525
J4SRF-40BQ	49.6	32.5	76.2	4	40	8	1/4, 1/4	115/60/1	10.7	5-20P	540
J6SRF-61B	74.8	32.5	76.2	6	61	12	1/3, 1/2	115/60/1	12.4	5-20P	675



Refrigeration Equipment Manufacturer

## Solid Door Refrigerator/Freezer

# J2SRF-20B

Description: Two solid half door REF(1/2)FRE(1/2), 20 cu. ft

### Features & Benefits

**Stainless steel interior and exterior for greater durability, construction and appearance.**

Self-contained top mounted refrigeration system and high humidity coated **fin coil** evaporator.

- Holds -10° F to 10° F as freezer
- Holds 30° F to 45° F as refrigerator

Automatic interior lights in refrigerator and freezer sections.

Exterior LED temperature display with digital controls. **Temperature setting is easy, fast and accurate.**

Micro-controller with adjustable temperature variance, automatic defrost intervals, setpoint limits, and parameter locking functions.

2.5" thick, foamed-in-place polyurethane high density insulation.

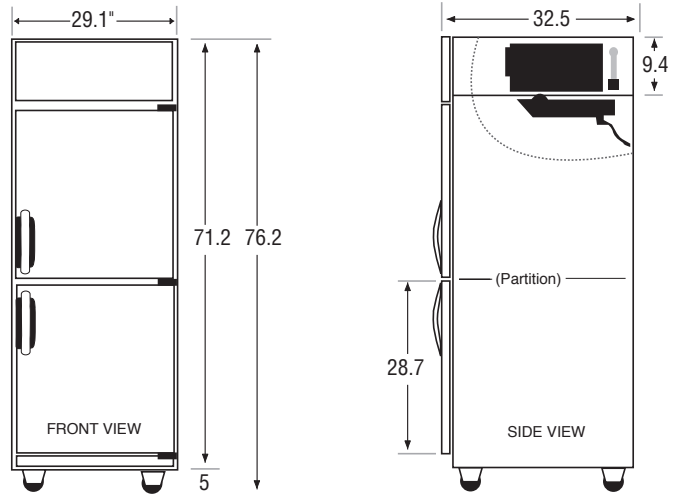
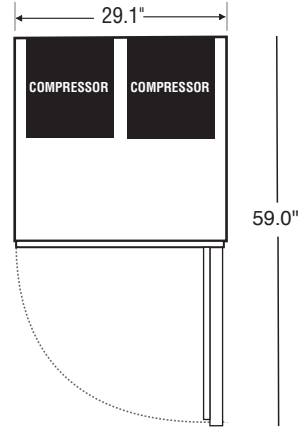
4 adjustable epoxy-coated steel wire shelves. 5" casters standard. **Easy mobility and installation.**

**Convenient and energy-efficient half-door design.**

Heavy-duty overall construction for high-volume, constant duty operation.

**Adjustable tension spring loaded doors.**

Electric condensate evaporator - **no floor drain required!**



### OPTIONS

- Extra Interior Shelves Qty. \_\_\_\_\_
- Bun Tray Racks (per section) Qty. \_\_\_\_\_
- Glass Doors (cooler section only)
- Reverse hinge Kit \_\_\_\_\_
- Factory Install \_\_\_\_\_

### General Information

**Cubic Ft.:** 20

**Shelf Size:** 24.5" x 23.75"

**Half Doors:** 2

**Unit Weight:** 335 lbs.

**Exterior:** Stainless Steel

**Ship Weight:** 360 lbs.

**Interior:** Stainless Steel

### Technical Data

**Refrigerant:** R-134a & R-404a

**Volts:** 115

**Start Amps:** 14.40

**#Compressors:** 2

**Run Amps:** 9.60

**Cord Length:** 96 in.

**Horsepower:** 1/5, 1/4

SPECIFICATIONS SUBJECT TO CHANGE WITHOUT NOTICE