

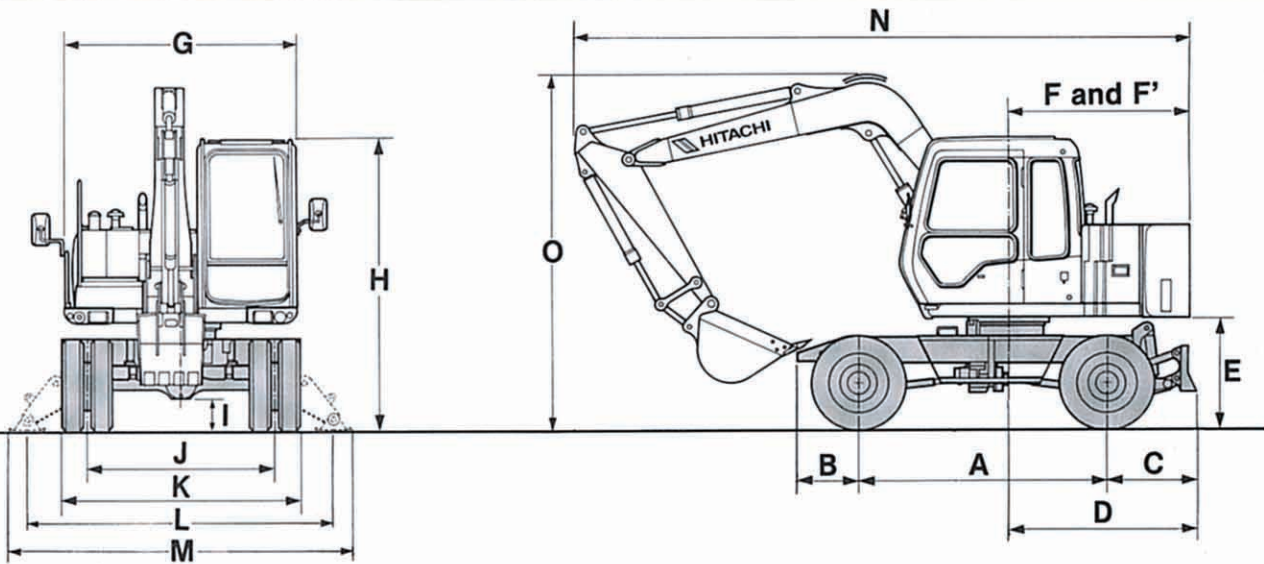
HITACHI

SuperEX

EX60WD

- Rated engine HP..... 49 kW (67 PS)
- Operating weight EX60WD-2: 6 780 kg (15 000 lb)
- Backhoe bucket PCSA heaped: 0.11 — 0.34 m³
(0.14 — 0.44 cu yd)
CECE heaped: 0.10 — 0.30 m³

Specifications



A	Wheel base	2 400 mm (7'10")	
B	Center of front axle to front end	608 mm (2'0")	
C	Center of rear axle to rear dozer blade	860 mm (2'10")	
D	Swing center to rear dozer blade	1 810 mm (5'11")	
E	Counterweight clearance	1 100 mm (3'7")	
F	Rear-end swing radius	1 750 mm (5'9")	
F'	Rear-end length	1 750 mm (5'9")	
G	Overall width of upperstructure	2 250 mm (7'5")	
H	Overall height of cab	2 570 mm (8'5")	
I	Minimum ground clearance	315 mm (1'0")	
J	Tread	1 800 mm (5'11")	
K	Overall width (Undercarriage width)	2 330 mm (7'8")	
L	Center to center width of outrigger	2 840 mm (9'4")	
M	Overall width of outrigger extended	3 180 mm (10'5")	
N	Overall length	6 010 mm (19'9")	with 1.62 m (5'4") arm
		6 040 mm (19'10")	with 2.12 m (6'11") arm
O	Overall height of boom	3 520 mm (11'7")	with 1.62 m (5'4") arm
		3 540 mm (11'7")	with 2.12 m (6'11") arm

TECHNICAL DATA

ENGINE

Model Nissan BD30
 Type Water-cooled, 4-cycle, 4-cyl-
 inders in-line, direct injection
 chamber type diesel engine

Rated flywheel horsepower
 (DIN 6271, net)
 Traveling 49 kW (67 PS)
 at 2 500 min⁻¹ (2 500 rpm)
 Digging 40 kW (55 PS)
 at 2 000 min⁻¹ (2 000 rpm)

Rated flywheel horsepower
 (SAE J1349, net)
 Traveling 49 kW (66 HP)
 at 2 500 min⁻¹ (2 500 rpm)
 Digging 40 kW (54 HP)
 at 2 000 min⁻¹ (2 000 rpm)

Maximum torque 193 N·m (19.7 kgf·m, 143 lbf·ft)
 at 2 000 min⁻¹ (2 000 rpm)

Piston displacement 2.953 l (180 cu in)
 Bore and stroke 96 mm x 102 mm (3.78" x 4.02")
 Starting system 24 V electric motor starting
 Batteries 2 x 12 V, 52 AH

Dimensions

	Quan.	Bore	Rod diameter
Boom	1	115 mm (4.53")	65 mm (2.56")
Arm	1	95 mm (3.74")	60 mm (2.36")
Bucket	1	85 mm (3.35")	55 mm (2.17")

Hydraulic Filters

All hydraulic circuits have high-quality hydraulic filters for protection against oil contamination and for longer life of hydraulic components. A suction filter is incorporated in the suction line, and 10µm full-flow filters in the return line and swing/travel motor drain lines.



CONTROLS

2 Implement Levers

Pilot controls (for all operations), Hitachi's original shockless valve and quick warm-up system are built in the pilot circuit for easy, precise, fatigue-free operation. Hydraulic warm-up control system for engine and hydraulic oil.

Steering Wheel

Use of the one steering cylinder.

HYDRAULIC SYSTEM

Hitachi's ETS (Electronic Total control System) can achieve maximum job efficiency and reduce fuel consumption/noise.

- E-P Control (Computer-aided Engine-Pump Control) System
- OHS (Optimum Hydraulic System) assures fully independent and combined operations
- Auto-idling system

Main pumps 2-variable displacement axial piston pumps

Maximum oil flow 2 x 67.0 l/min
 (2 x 17.7 US gpm, 2 x 14.7 Imp gpm)

Steering pump 1 gear pump

Maximum oil flow 29.5 l/min
 (7.8 US gpm, 6.5 Imp gpm)

Pilot pump 1 gear pump

Maximum oil flow 25.5 l/min
 (6.7 US gpm, 5.6 Imp gpm)

Relief Valve Settings

Implement circuit 26.0 MPa (265 kgf/cm², 3 768 psi)

Swing circuit 26.0 MPa (265 kgf/cm², 3 768 psi)

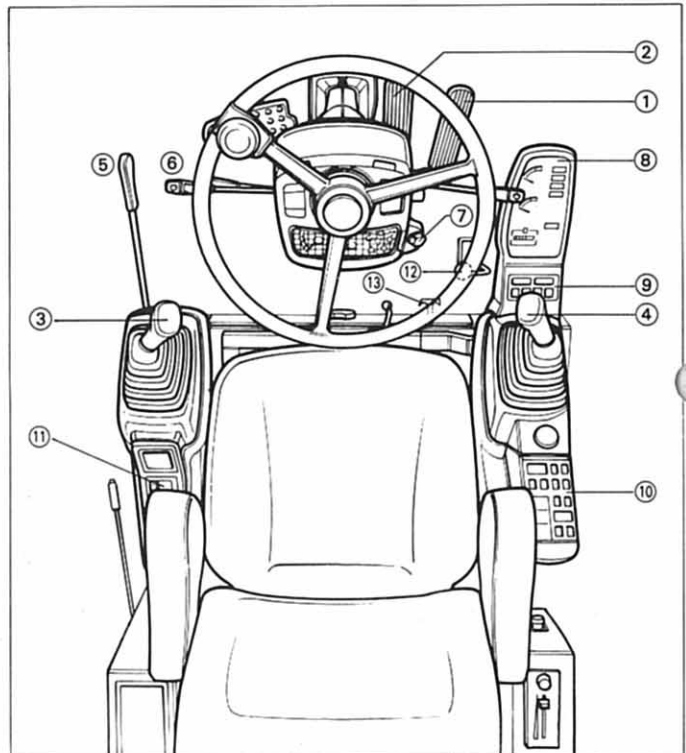
Travel circuit 27.5 MPa (280 kgf/cm², 3 982 psi)

Outrigger circuit 26.0 MPa (265 kgf/cm², 3 768 psi)

Pilot circuit 3.9 MPa (40 kgf/cm², 569 psi)

Hydraulic Cylinders

High-strength piston rods and tubes. Cylinder cushion mechanisms are provided for all cylinders to absorb shock when pistons reach their stroke ends.



- 1 Accelerator pedal
- 2 Service brake pedal
- 3 Swing/Arm control lever
- 4 Boom/Bucket control lever
- 5 Pilot control shut-off lever
- 6 Travel mode selection lever
- 7 Travel/parking brake/digging brake selection switch

- 8 Monitor panel
- 9 Switch Panel I
- 10 Switch Panel II
- 11 Auto tuning radio
- 12 Swing lock lever
- 13 Emergency engine stop lever



UPPERSTRUCTURE

Revolving Frame

Welded high-strength box construction using heavy-gauge steel plates for high ruggedness. Reinforced D-section frame featuring high resistance to deformation.

Swing Mechanism

High-torque, axial piston motor with planetary reduction gear is bathed in oil. Swing circle is single-row, shear-type ball bearing with induction-hardened internal gear and pinion gear are immersed in lubricant. Swing parking brake is spring-set/hydraulic-released disc type. Swing dampener valve in the swing circuit prevents coasting when stopping swing. Swing cushion valve built in swing motor absorbs shocks when stopping swing, ensuring smooth stops.

Swing speed..... 15.0 min⁻¹ (15.0 rpm)

Operator's Cab

Independent roomy cab, 940 mm (37") wide by 1 645 mm (65") high, conforming to ISO* Standards. Reinforced glass windows on all 4 sides for all-round visibility. Front windows (upper and lower), fully openable, is storable in the cab. Fully adjustable, suspension seat with armrests; movable with or without control levers and monitor panel.

* International Standard Organization



UNDERCARRIAGE

Wheeled-type undercarriage. The frame is of all-welded, stress-relieved structure. Top-grade materials used for toughness.

Drive system 4 × 4 (4 wheel drive)

Travel motor..... Variable displacement axial piston motor with brake valve to prevent over-running when traveling down hill.

Transmission..... Constant mesh type for high and low speed range.

Travel speed

Low speed range..... 0 to 11.5 km/h (7.2 mph), forward and reverse

High speed range 0 to 34.5 km/h (21.4 mph), forward and reverse

Max. traction force..... 35.3 kN (3 600 kgf, 7 938 lbf)

Gradeability..... 33° (65%)

Steering System

Hydraulically actuated, orbit-roll-type steering system actuates on front wheels through the steering cylinders. 1 steering cylinder

Bore..... 55 mm (2.2")

Rod diameter..... 25 mm (1")

Min. turning radius 6 100 mm (20'0")

Brakes

Service brake..... Air-over Hydraulic brakes acting at each wheel-internal-expanding shoe type. Brake lines are independent to front wheels and rear wheels

Parking brake Spring actuated, air-released, internal-expanding shoe type, acting on horizontal drive shaft.

Digging brake..... Acting at all wheels, horizontal drive shaft and also locks oscillation cylinders for digging operation

Axles

Full-floating front axle is center-pin supported for oscillation. It can be locked by oscillation cylinders. Full-floating rear axle is fixed on the chassis.

Tires

Rock-type tread pattern

This type of tire is used for in rugged operating environments such as macadam or gravel ground and features resistance to cuts and good durability.

Size 7.50 - 20 - 12 PR × 8

Outriggers (Option)

Each outrigger cylinder is fitted with pilot-operated check valves, thus permitting positive locking of outrigger.



SERVICE REFILL CAPACITIES

	Liters	US gal	Imp gal
Fuel tank.....	135	35.7	29.7
Engine coolant.....	10	2.6	2.2
Engine oil.....	12.5	3.3	2.8
Swing device	1.8	0.5	0.4
Transmission.....	2.4	0.6	0.5
Differential gear box..... (front/rear)	2.5/2.5	0.7/0.7	0.6/0.6
Hub reduction gear			
front axle.....	2 × 1.0	2 × 0.3	2 × 0.22
rear axle	2 × 1.0	2 × 0.3	2 × 0.22
Hydraulic system.....	90	23.8	19.8
Hydraulic tank.....	42	11.1	9.2

TECHNICAL DATA



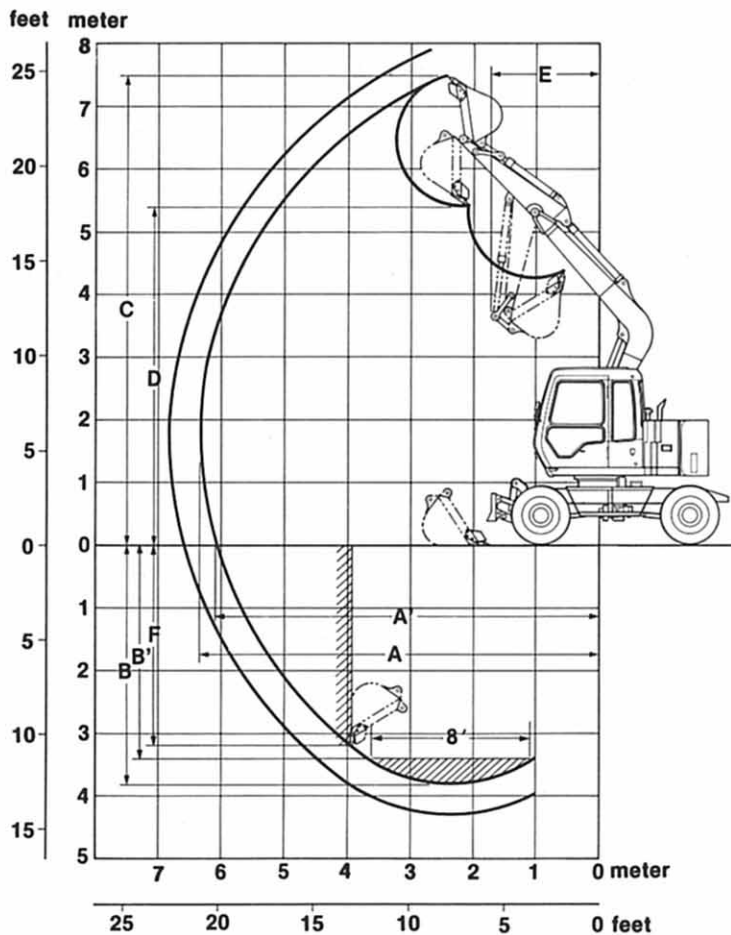
BACKHOE ATTACHMENTS

Boom and arms are of all-welded, low-stress, full box-section design. 3.72 m (12'2") boom, and 1.62 m (5'4"), 2.12 m (6'11") arms are available.

Bucket is of all-welded, high-strength steel structure. Side clearance adjust mechanism provided on the bucket joint bracket.



WORKING RANGES



EX60WD-2

Arm length	1.62 m (5'4")	2.12 m (6'11")
A Max. digging reach	6 310 mm (20'8")	6 800 mm (22'4")
A' Max. digging reach (on ground)	6 070 mm (19'11")	6 580 mm (21'7")
B Max. digging depth	3 820 mm (12'6")	4 320 mm (14'2")
B' Max. digging depth (8' level)	3 470 mm (11'5")	4 030 mm (13'3")
C Max. cutting height	7 480 mm (24'6")	7 890 mm (25'11")
D Max. dumping height	5 410 mm (17'9")	5 810 mm (19'1")
E Min. swing radius	1 700 mm (5'7")	2 060 mm (6'9")
F Max. vertical wall	3 160 mm (10'4")	3 720 mm (12'2")
Bucket digging force	47.1 kN (4 800 kgf, 10 600 lbf)	47.1 kN (4 800 kgf, 10 600 lbf)
Arm crowd force	36.3 kN (3 700 kgf, 8 200 lbf)	31.4 kN (3 200 kgf, 7 100 lbf)

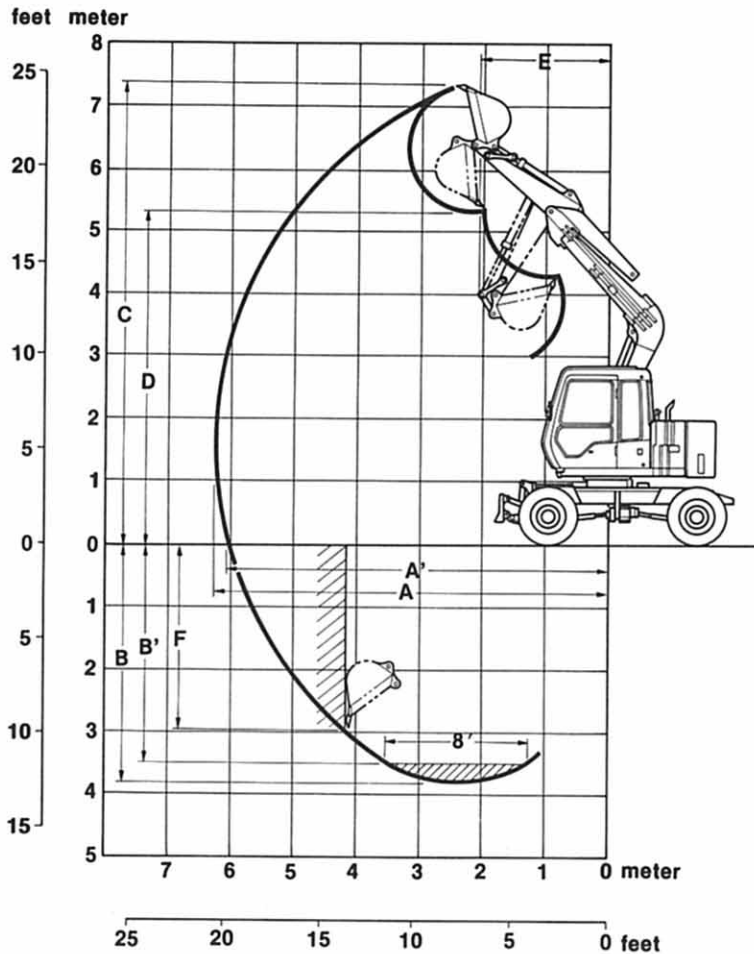
Buckets

Capacity		Width		No. of teeth	Weight	Recommendation	
PCSA heaped	CECE heaped	Without side cutters	With side cutters			1.62 m (5'4") arm	2.12 m (6'11") arm
0.11 m ³ (0.14 cu yd)	0.10 m ³	360 mm (14")	450 mm (18")	3	140 kg (310 lb)	⊙	⊙
0.24 m ³ (0.31 cu yd)	0.20 m ³	560 mm (22")	650 mm (26")	3	180 kg (400 lb)	⊙	⊙
0.28 m ³ (0.37 cu yd)	0.25 m ³	660 mm (26")	750 mm (30")	4	200 kg (440 lb)	⊙	○
0.34 m ³ (0.44 cu yd)	0.30 m ³	770 mm (30")	860 mm (34")	5	220 kg (490 lb)	○	—
*0.28 m ³ (0.37 cu yd)	0.25 m ³	660 mm (26")	750 mm (30")	4	240 kg (530 lb)	⊙	○
V-shaped bucket: 0.20 m ³ (0.26 cu yd: CECE heaped)				2	190 kg (420 lb)	⊙	⊙
Slope-finishing blade: Width 750 mm (30"), Length 1 500 mm (59")					250 kg (550 lb)	◇	◇

* Reinforced bucket

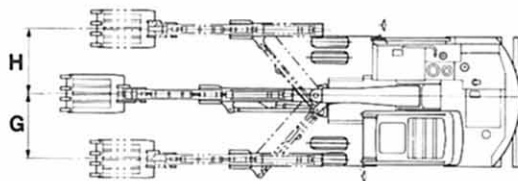
⊙ Suitable for materials with density of 2 000 kg/m³ (3 370 lb/cu yd) or less
 ○ Suitable for materials with density of 1 600 kg/m³ (2 700 lb/cu yd) or less
 ◇ Slope-finishing service
 — Not recommended

WORKING RANGES



EX60WD-2 with Off-set front

Operating weight	7 320 kg (16 100 lb)	
Arm length	1.62 m (5'4")	
Off-set distance	0	Max.
A Max. digging reach	6 310 mm (20'8")	5 870 mm (19'3")
A' Max. digging reach (on ground)	6 070 mm (19'11")	5 610 mm (18'5")
B Max. digging depth	3 820 mm (12'6")	3 360 mm (11'0")
B' Max. digging depth (8' level)	3 432 mm (11'3")	2 970 mm (9'9")
C Max. cutting height	7 460 mm (24'6")	7 110 mm (23'4")
D Max. dumping height	5 410 mm (17'9")	5 050 mm (16'7")
E Min. swing radius	2 080 mm (6'10")	*2 120 mm / 2 190 mm (6'11") / (7'2")
F Max. vertical wall	2 960 mm (9'9")	2 530 mm (8'4")
G Left side off-set distance	—	1 060 mm (3'6")
H Right side off-set distance	—	1 240 mm (4'1")
Bucket digging force	47.1 kN (4 800 kgf, 10 600 lbf)	
Arm crowd force	36.3 kN (3 700 kgf, 8 200 lbf)	



Notes: 1 *Left/Right side off-set.
2. Not recommended: 2.12 m (6'11") arm

Buckets

Capacity		Width		No. of teeth	Weight	Recommendation
PCSA heaped	CECE heaped	Without side cutters	With side cutters			EX60WD-2 with Off-set front
						1.62 m (5'4") arm
0.11 m ³ (0.14 cu yd)	0.10 m ³	360 mm (14")	450 mm (18")	3	140 kg (310 lb)	⊙
0.24 m ³ (0.31 cu yd)	0.20 m ³	560 mm (22")	650 mm (26")	3	180 kg (400 lb)	⊙
0.28 m ³ (0.37 cu yd)	0.25 m ³	660 mm (26")	750 mm (30")	4	200 kg (440 lb)	⊙
*0.28 m ³ (0.37 cu yd)	0.25 m ³	660 mm (26")	750 mm (30")	4	240 kg (530 lb)	○

* Reinforced bucket

⊙ Suitable for materials with density of 2 000 kg/m³ (3 370 lb/cu yd) or less
○ Suitable for materials with density of 1 600 kg/m³ (2 700 lb/cu yd) or less

TECHNICAL DATA



STANDARD EQUIPMENT

Standard equipment may vary by country, so please consult your Hitachi dealer for details.

Cab

All-weather sound-suppressed steel cab equipped with reinforced, tinted (bronze color) glass windows, openable front windows — upper, lower and both side windows with windshield wipers, front window washer, adjustable suspension seat with armrests, electric horn, auto-tuning radio with digital clock, cigarette lighter, ashtray, parcel pocket, rear tray, floor mat, heater, and pilot control shut-off lever.

Monitor System

- Meters
Tachometer, hourmeter, engine coolant temperature gauge, air pressure gauge, fuel meter.
- Warning lamps
Alternator charge, engine oil pressure, engine overheat, air cleaner clog, air pressure.
- Pilot lamps
Working light, engine pre-heat, turn signal, head light high beam, parking brake, digging brake, oscillation cylinder lock, hazard warning signal.
- Alarm buzzers
Engine oil pressure, engine overheat, air pressure.
- Swing lock for travel and transportation.

Upperstructure

Full undercover for noise suppression, 650 kg (1 430 lb) counterweight, rearview mirror, cartridge-type filters for engine oil and fuel, heavy-duty air cleaner with evacuator valve, radiator and oil cooler with dust-proof net, radiator reserve tank, hydraulic warm-up control system for engine and hydraulic oil, quick warm-up system for pilot circuit, control valve with main relief valve, hydraulic brake valves for travel circuits, swing and travel parking brakes.

Lights and Signals

3 working light and 1 room lamp. Combination lamps (turn signal lamps, parking lamps, brake lamps, marker lamps, back lamps and hazard warning signal lamps).

Undercarriage

- Rear dozer blade [width; 2 270 mm (7'5") height; 450 mm (1'6")]

Miscellaneous

Standard tool kit, lockable machine covers, fuel filling cap, non-slip tapes, and handrails.



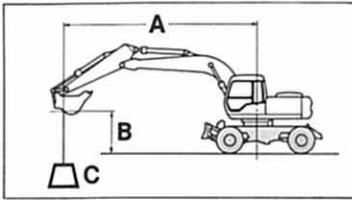
OPTIONAL EQUIPMENT

Optional equipment may vary by country, so please consult your Hitachi dealer for details.

- Air conditioner
- Fenders for tires
- Rear outrigger
- 2.12 m (6'11") arm
- Hose rupture valves
- Electric fuel refilling pump
- Swing motion alarm device with lamps
- Travel motion alarm device
- Piping kit for extra port

- V-shaped bucket for water-ways and drainage.
- Slope-finishing blade for slope finishing jobs . . . scraping up or down, compacting, leveling, grading etc.

LIFTING CAPACITIES



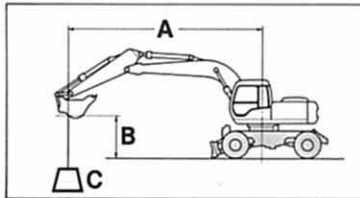
A: Load radius
B: Load point height
C: Lifting capacity

Rating over-side or 360 degrees Rating over-rear

EX60WD-2 with rear dozer blade above ground

Unit: metric ton (lb)

Conditions	Load point height m (ft in)	Load radius								At max. reach		
		2 (6'7")		3 (9'10")		4 (13'1")		5 (16'5")				
												@ m (ft in)
Boom: 3.72 m (12'2") Arm: 1.62 m (5'4") Bucket PCSA: 0.28 m ³ (0.37 cu yd) CECE: 0.25 m ³ Tires 7.50-20-12PR, duals	5 (16'5")					*1.37 (3.02)	*1.37 (3.02)			*0.89 (1.96)	*0.89 (1.96)	5.16 (16'11")
	4 (13'1")			*1.43 (3.15)	*1.43 (3.15)	*1.42 (3.13)	*1.42 (3.13)	1.07 (2.36)	*1.11 (2.45)	0.86 (1.90)	*0.86 (1.90)	5.68 (18'8")
	3 (9'10")			*2.03 (4.48)	*2.03 (4.48)	1.53 (3.37)	*1.68 (3.70)	1.05 (2.31)	1.20 (2.65)	0.77 (1.70)	*0.88 (1.94)	5.96 (19'7")
	2 (6'7")			2.24 (4.94)	2.56 (5.64)	1.45 (3.20)	1.65 (3.64)	1.02 (2.23)	1.17 (2.58)	0.74 (1.63)	0.85 (1.87)	6.03 (19'9")
	1 (3'3")			2.12 (4.67)	2.44 (5.38)	1.39 (3.06)	1.59 (3.51)	0.96 (2.12)	1.13 (2.49)	0.75 (1.65)	0.87 (1.92)	5.91 (19'5")
	0 (Ground)			2.08 (4.59)	2.40 (5.20)	1.35 (2.98)	1.55 (3.42)	0.96 (2.12)	1.11 (2.45)	0.81 (1.79)	0.94 (2.07)	5.59 (18'4")
	-1 (-3'3")	*2.83 (6.24)	*2.83 (6.24)	2.08 (4.59)	2.39 (5.27)	1.33 (2.93)	1.53 (3.37)	*0.76 (1.68)	1.10 (2.43)	*0.76 (1.68)	1.10 (2.43)	5.00 (16'5")
	-2 (-6'7")	*3.94 (8.69)	*3.94 (8.69)	2.11 (4.65)	2.42 (5.34)	1.35 (2.98)	1.55 (3.42)			*1.33 (2.93)	*1.33 (2.93)	4.01 (13'2")



A: Load radius
B: Load point height
C: Lifting capacity

Rating over-side or 360 degrees Rating over-rear

EX60WD-2 with rear dozer blade on ground

Unit: metric ton (lb)

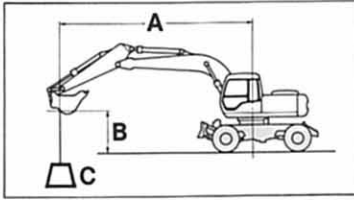
Conditions	Load point height m (ft in)	Load radius								At max. reach		
		2 (6'7")		3 (9'10")		4 (13'1")		5 (16'5")				
												@ m (ft in)
Boom: 3.72 m (12'2") Arm: 1.62 m (5'4") Bucket PCSA: 0.28 m ³ (0.37 cu yd) CECE: 0.25 m ³ Tires 7.50-20-12PR, duals	5 (16'5")					*1.37 (3.02)	*1.37 (3.02)			*0.89 (1.96)	*0.89 (1.96)	5.16 (16'11")
	4 (13'1")			*1.43 (3.15)	*1.43 (3.15)	*1.42 (3.13)	*1.42 (3.13)	*1.11 (2.45)	*1.11 (2.45)	*0.86 (1.90)	*0.86 (1.90)	5.68 (18'8")
	3 (9'10")			*2.03 (4.48)	*2.03 (4.48)	*1.68 (3.70)	*1.68 (3.70)	1.24 (2.73)	*1.55 (3.42)	*0.88 (1.94)	*0.88 (1.94)	5.96 (19'7")
	2 (6'7")			2.69 (5.93)	*2.83 (6.24)	1.72 (3.80)	*2.03 (4.48)	1.20 (2.65)	*1.70 (3.75)	0.88 (1.94)	*0.92 (2.03)	6.03 (19'9")
	1 (3'3")			2.56 (5.64)	*3.33 (7.34)	1.65 (3.64)	*2.33 (5.14)	1.17 (2.58)	*1.85 (4.08)	0.89 (1.96)	*1.00 (2.20)	5.91 (19'5")
	0 (Ground)			2.52 (5.56)	*3.44 (7.58)	1.61 (3.55)	*2.49 (5.49)	1.14 (2.51)	1.90 (4.19)	0.97 (2.14)	*1.13 (2.49)	5.59 (18'4")
	-1 (-3'3")	*2.83 (6.24)	*2.83 (6.24)	2.51 (5.53)	*3.31 (7.30)	1.59 (3.51)	*2.46 (5.42)	1.14 (2.51)	*1.76 (3.88)	1.14 (2.51)	1.76 (3.88)	5.00 (16'5")
	-2 (-6'7")	*3.94 (8.69)	*3.94 (8.69)	2.54 (5.60)	*2.93 (6.46)	1.61 (3.55)	*2.16 (4.76)			*1.33 (2.93)	*1.33 (2.93)	4.01 (13'2")

Notes: 1. Ratings are based on SAE J1097.

2. Lifting capacity of the Super EX Series does not exceed 75% of tipping load with the machine on firm, level ground or 87% of full hydraulic capacity.

3. The load point is a hook (not standard equipment) loaded on the back of the bucket.

4. *Indicates load limited by hydraulic capacity.



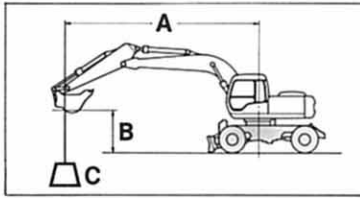
A: Load radius
B: Load point height
C: Lifting capacity

Rating over-side or 360 degrees Rating over-rear

EX60WD-2 Off-set front with rear dozer blade above ground

Unit: metric ton (lb)

Conditions	Load point height m (ft in)	Load radius								At max. reach		
		2 (6'7")		3 (9'10")		4 (13'1")		5 (16'5")				@ m (ft in)
Boom: 3.72 m (12'2") Arm: 1.62 m (5'4") Bucket PCSA: 0.28 m ³ (0.37 cu yd) CECE: 0.25 m ³ Tires 7.50-20-12PR, duals	5 (16'5")			*1.24 (2.73)	*1.24 (2.73)	*1.31 (2.89)	*1.31 (2.89)			0.99 (2.18)	*1.06 (2.34)	5.16 (16'11")
	4 (13'1")			*1.45 (3.20)	*1.45 (3.20)	*1.37 (3.02)	*1.37 (3.02)	1.00 (2.20)	1.15 (2.54)	0.79 (1.74)	0.91 (2.01)	5.68 (18'8")
	3 (9'10")			*1.98 (4.37)	*1.98 (4.37)	1.47 (3.24)	*1.58 (3.48)	0.98 (2.16)	1.12 (2.47)	0.68 (1.50)	0.80 (1.76)	5.96 (19'7")
	2 (6'7")					1.34 (2.95)	1.54 (3.40)	0.91 (2.01)	1.06 (2.34)	0.63 (1.39)	0.74 (1.63)	6.03 (19'9")
	1 (3'3")					1.21 (2.67)	1.42 (3.14)	0.85 (1.87)	1.00 (2.20)	0.62 (1.37)	0.74 (1.63)	5.91 (19'5")
	0 (Ground)			1.78 (3.92)	2.09 (4.61)	1.15 (2.54)	1.35 (3.42)	0.81 (1.79)	0.96 (2.11)	0.67 (1.48)	0.80 (1.76)	5.59 (18'4")
	-1 (-3'3")	*2.98 (6.57)	*2.98 (6.57)	1.77 (3.90)	2.09 (4.61)	1.13 (2.49)	1.33 (2.93)	0.80 (1.76)	0.95 (2.09)	0.81 (1.79)	0.96 (2.12)	5.00 (16'5")
	-2 (-6'7")	*3.34 (7.36)	*3.34 (7.36)	1.82 (4.01)	2.14 (4.72)	1.16 (2.56)	1.36 (3.00)					



A: Load radius
B: Load point height
C: Lifting capacity

Rating over-side or 360 degrees Rating over-rear

EX60WD-2 Off-set front with rear dozer blade on ground

Unit: metric ton (lb)

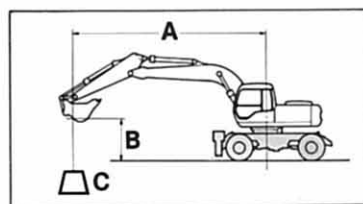
Conditions	Load point height m (ft in)	Load radius								At max. reach		
		2 (6'7")		3 (9'10")		4 (13'1")		5 (16'5")				@ m (ft in)
Boom: 3.72 m (12'2") Arm: 1.62 m (5'4") Bucket PCSA: 0.28 m ³ (0.37 cu yd) CECE: 0.25 m ³ Tires 7.50-20-12PR, duals	5 (16'5")			*1.24 (2.73)	*1.24 (2.73)	*1.31 (2.89)	*1.31 (2.89)			*1.06 (2.34)	*1.06 (2.34)	5.16 (16'11")
	4 (13'1")			*1.45 (3.20)	*1.45 (3.20)	*1.37 (3.02)	*1.37 (3.02)	1.20 (2.65)	*1.31 (2.89)	0.95 (2.09)	*1.05 (2.31)	5.68 (18'8")
	3 (9'10")			*1.98 (4.37)	*1.98 (4.37)	*1.58 (3.48)	*1.58 (3.48)	1.17 (2.58)	*1.42 (3.13)	0.83 (1.83)	*1.07 (2.36)	5.96 (19'7")
	2 (6'7")					1.61 (3.55)	*1.87 (4.12)	1.11 (2.45)	*1.55 (3.42)	0.77 (1.70)	*1.14 (2.51)	6.03 (19'9")
	1 (3'3")					1.49 (3.28)	*2.12 (4.67)	1.04 (2.29)	*1.67 (3.68)	0.77 (1.70)	*1.24 (2.73)	5.91 (19'5")
	0 (Ground)			2.21 (4.87)	*3.08 (6.79)	1.41 (3.11)	*2.23 (4.92)	1.00 (2.20)	*1.73 (3.81)	0.83 (1.83)	*1.42 (3.13)	5.59 (18'4")
	-1 (-3'3")	*2.98 (6.57)	*2.98 (6.57)	2.21 (6.44)	*2.92 (6.47)	1.39 (3.06)	*2.18 (4.81)	0.99 (2.18)	*1.65 (3.64)	1.00 (2.20)	*1.52 (3.35)	5.00 (16'5")
	-2 (-6'7")	*3.34 (7.36)	*3.34 (7.36)	2.26 (4.98)	*2.55 (5.62)	1.42 (3.13)	*1.89 (4.17)					

Notes: 1. Ratings are based on SAE J1097.

2. Lifting capacity of the Super EX Series does not exceed 75% of tipping load with the machine on firm, level ground or 87% of full hydraulic capacity.

3. The load point is a hook (not standard equipment) loaded on the back of the bucket.

4. *Indicates load limited by hydraulic capacity.



A: Load radius
B: Load point height
C: Lifting capacity



Rating over-side or 360 degrees

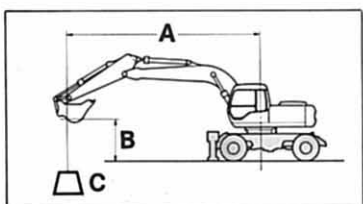


Rating over-rear

EX60WD-2 with rear outriggers above ground

Unit: metric ton (lb)

Conditions	Load point height m (ft in)	Load radius								At max. reach		
		2 (6'7")		3 (9'10")		4 (13'1")		5 (16'5")		Rating over-side or 360 degrees	Rating over-rear	@ m (ft in)
		Rating over-side or 360 degrees	Rating over-rear	Rating over-side or 360 degrees	Rating over-rear	Rating over-side or 360 degrees	Rating over-rear	Rating over-side or 360 degrees	Rating over-rear			
Boom: 3.72 m (12'2") Arm: 1.62 m (5'4") Bucket PCSA: 0.28 m ³ (0.37 cu yd) CECE: 0.25 m ³ Tires 7.50-20-12PR, duals	5 (16'5")					*1.37 (3.02)	*1.37 (3.02)			*0.89 (1.96)	*0.89 (1.96)	5.16 (16'11")
	4 (13'1")			*1.43 (3.15)	*1.43 (3.15)	*1.42 (3.13)	*1.42 (3.13)	1.10 (2.43)	*1.11 (2.45)	*0.86 (1.90)	*0.86 (1.90)	5.68 (18'8")
	3 (9'10")			*2.03 (4.48)	*2.03 (4.48)	1.56 (3.44)	1.67 (3.68)	1.08 (2.38)	*1.16 (2.56)	0.80 (1.76)	0.85 (1.87)	5.96 (19'7")
	2 (6'7")			2.29 (5.05)	2.48 (5.47)	1.49 (3.28)	1.60 (3.53)	1.05 (2.31)	1.12 (2.47)	0.76 (1.63)	0.82 (1.81)	6.03 (19'9")
	1 (3'3")			2.17 (4.78)	2.35 (5.18)	1.42 (3.13)	1.53 (3.37)	1.01 (2.23)	1.09 (2.40)	0.77 (1.70)	0.83 (1.83)	5.91 (19'5")
	0 (Ground)			2.13 (4.70)	2.31 (5.09)	1.38 (3.04)	1.49 (3.28)	0.99 (2.18)	1.06 (2.34)	0.84 (1.85)	0.90 (1.98)	5.59 (18'4")
	-1 (-3'3")	*2.83 (6.24)	*2.83 (6.24)	2.13 (4.70)	2.31 (5.09)	1.37 (3.02)	1.48 (3.26)	0.99 (2.08)	1.06 (2.34)	0.99 (2.18)	1.06 (2.34)	5.00 (16'5")
	-2 (-6'7")	*3.94 (8.69)	*3.94 (8.69)	2.16 (4.76)	2.34 (5.16)	1.39 (3.06)	1.50 (3.31)			*1.33 (2.93)	*1.33 (2.93)	4.01 (13'2")



A: Load radius
B: Load point height
C: Lifting capacity



Rating over-side or 360 degrees



Rating over-rear

EX60WD-2 with rear outriggers on ground

Unit: metric ton (lb)

Conditions	Load point height m (ft in)	Load radius								At max. reach		
		2 (6'7")		3 (9'10")		4 (13'1")		5 (16'5")		Rating over-side or 360 degrees	Rating over-rear	@ m (ft in)
		Rating over-side or 360 degrees	Rating over-rear	Rating over-side or 360 degrees	Rating over-rear	Rating over-side or 360 degrees	Rating over-rear	Rating over-side or 360 degrees	Rating over-rear			
Boom: 3.72 m (12'2") Arm: 1.62 m (5'4") Bucket PCSA: 0.28 m ³ (0.37 cu yd) CECE: 0.25 m ³ Tires 7.50-20-12PR, duals	5 (16'5")					*1.37 (3.02)	*1.37 (3.02)			*0.89 (1.96)	*0.89 (1.96)	5.16 (16'11")
	4 (13'1")			*1.43 (3.15)	*1.43 (3.15)	*1.42 (3.13)	*1.42 (3.13)	*1.11 (2.45)	*1.11 (2.45)	*0.86 (1.90)	*0.86 (1.90)	5.68 (18'8")
	3 (9'10")			*2.03 (4.48)	*2.03 (4.48)	*1.68 (3.70)	*1.68 (3.70)	*1.55 (3.42)	*1.55 (3.42)	*0.88 (1.94)	*0.88 (1.94)	5.96 (19'7")
	2 (6'7")			*2.83 (6.24)	*2.83 (6.24)	*2.03 (4.48)	*2.03 (4.48)	1.55 (3.42)	*1.70 (3.75)	*0.92 (2.03)	*0.92 (2.03)	6.03 (19'9")
	1 (3'3")			*3.33 (7.34)	*3.33 (7.34)	2.14 (4.72)	*2.33 (5.14)	1.51 (3.33)	*1.85 (4.08)	*1.00 (2.20)	*1.00 (2.20)	5.91 (19'5")
	0 (Ground)			3.37 (7.43)	*3.44 (7.58)	2.10 (4.63)	*2.49 (5.49)	1.49 (3.28)	*1.94 (4.28)	*1.13 (2.49)	*1.13 (2.49)	5.59 (18'4")
	-1 (-3'3")	*2.83 (6.24)	*2.83 (6.24)	*3.31 (7.30)	*3.31 (7.30)	2.09 (4.61)	*2.46 (5.42)	1.48 (3.26)	0.78 (1.72)	1.48 (3.26)	*0.78 (1.72)	5.00 (16'5")
	-2 (-6'7")	*3.94 (8.69)	*3.94 (8.69)	*2.93 (6.46)	*2.93 (6.46)	2.11 (4.65)	*2.16 (4.76)			*1.33 (2.93)	*1.33 (2.93)	4.01 (13'2")

Notes: 1. Ratings are based on SAE J1097.

2. Lifting capacity of the Super EX Series does not exceed 75% of tipping load with the machine on firm, level ground or 87% of full hydraulic capacity.

3. The load point is a hook (not standard equipment) loaded on the back of the bucket.

4. *Indicates load limited by hydraulic capacity.

HITACHI

EX60WD

These specifications are subject to change without notice.

Hitachi Construction Machinery Co., Ltd.

Head Office: Nippon Bldg., 6-2, 2-chome, Ohtemachi,
Chiyoda-ku, Tokyo 100, Japan

Telephone: Tokyo (03) 3245-6377

Facsimile: Tokyo (03) 3246-2609

Telex: J32539 HITACONJ

Cable Address: "TOKHITACHIKENKI"