

2JCP2542601a

IRIDIUM Ceramic Thru-Hole Mount

Key Features

IRIDIUM

- 1616-1627 MHz

Thru-Hole Mount

Ground Plane Dependent

Dimensions 25 x 25 x 4 mm

Please check our Development Kit

2JDK0226a-C104N



1. Antenna and electrical specifications

Parameters	IRIDIUM Ceramic Thru-Hole Mount Antenna
Standards	Iridium
Bands (MHz)	1621
Frequency (MHz)	1616-1627
Return Loss (dB)	~-28.0
VSWR	~1.1:1
Efficiency (%)	~82.3
Peak Gain (dBi)	~5.1
Average Gain (dB)	~-.8
Impedance (Ohms)	50
Axial Ratio (dB)	3 max
Radiation Pattern	Hemispherical
Polarization	RHCP

Antenna Measurement Conditions:

Free Space

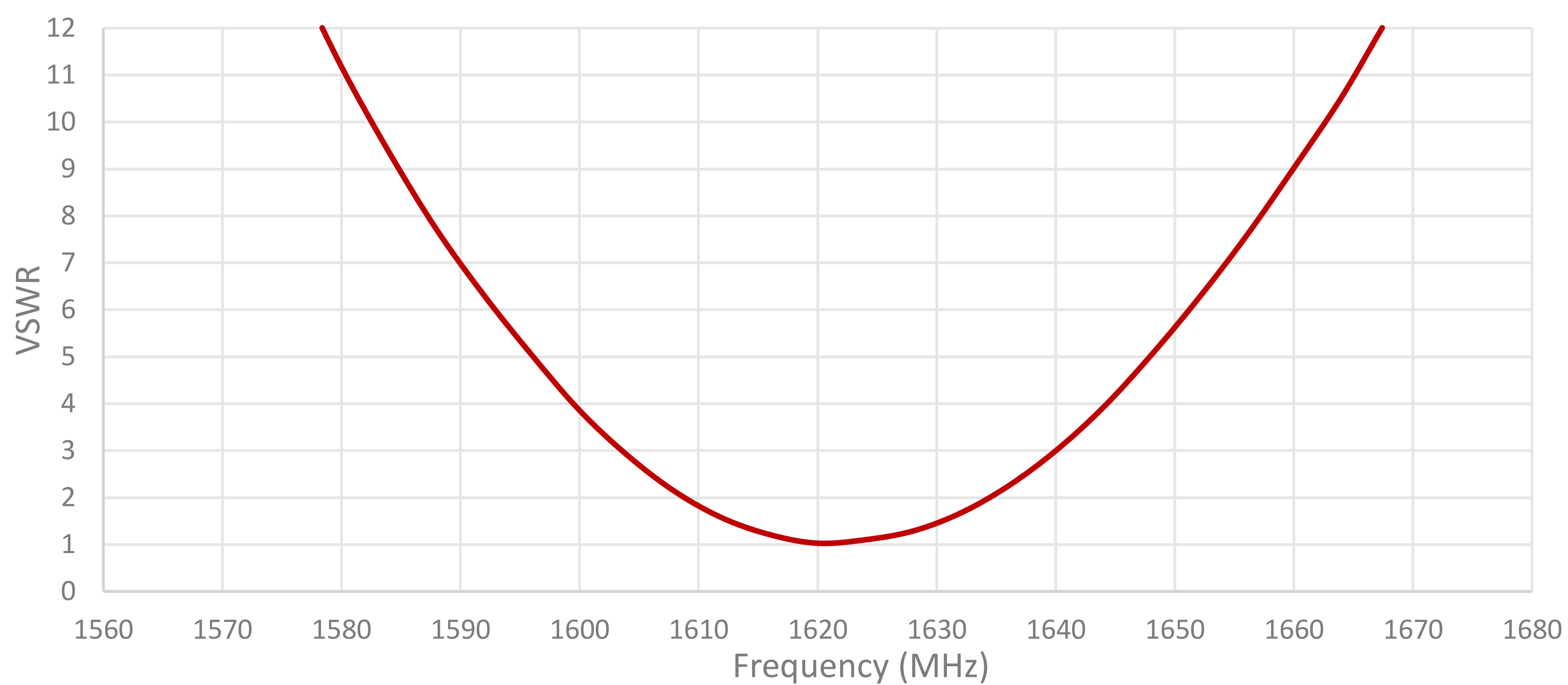
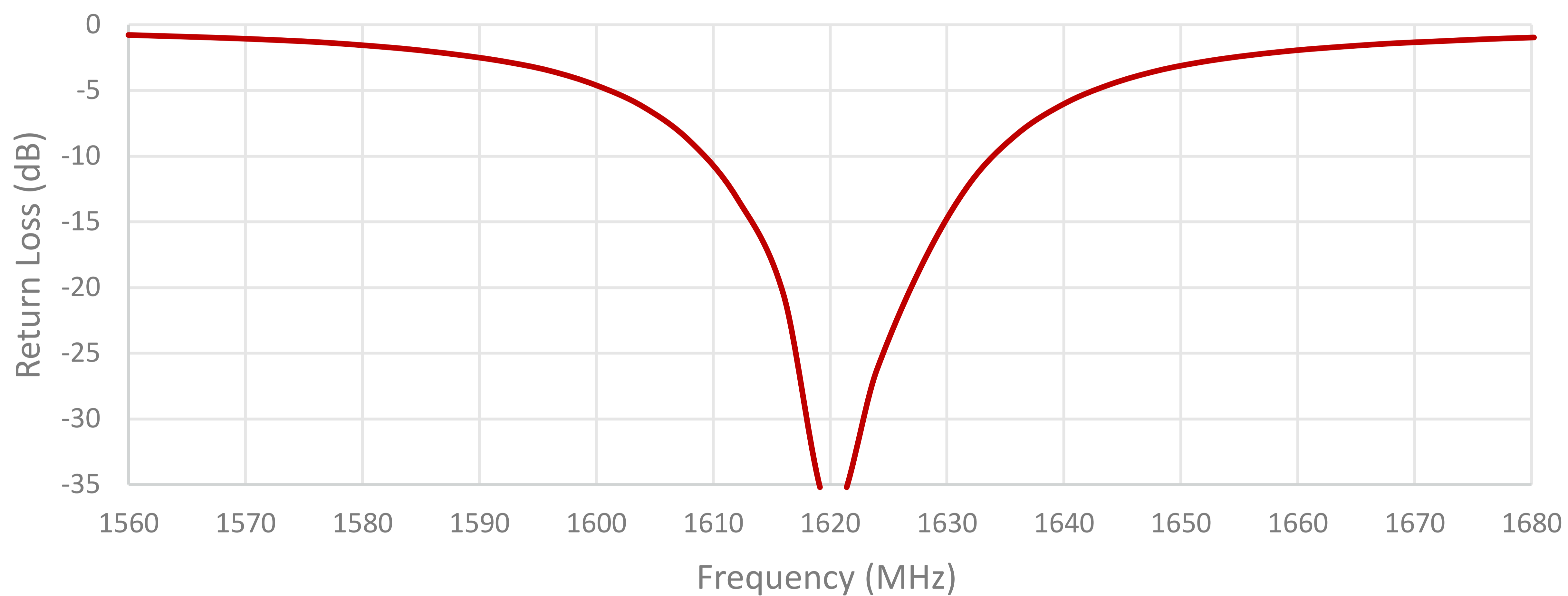
Mounted on Ground Plane of 70 x 70 mm

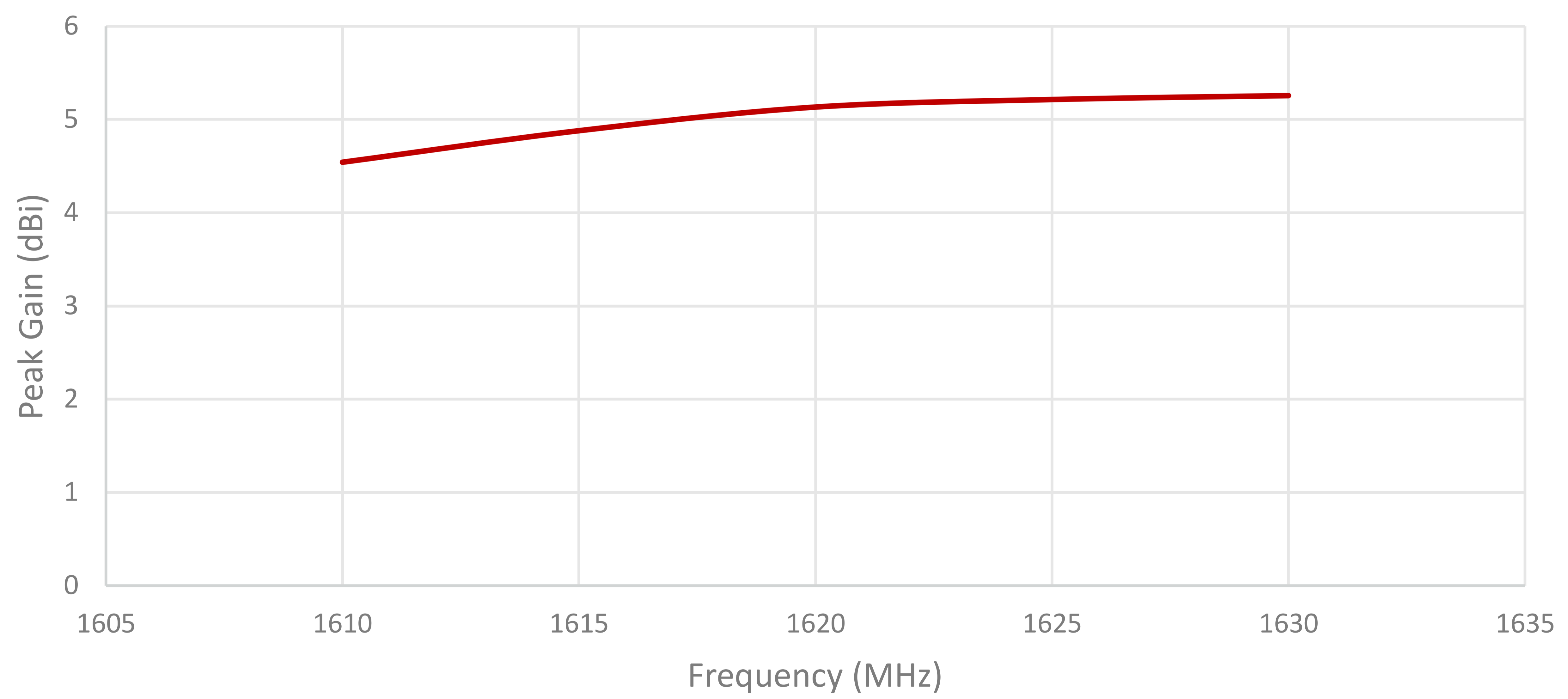
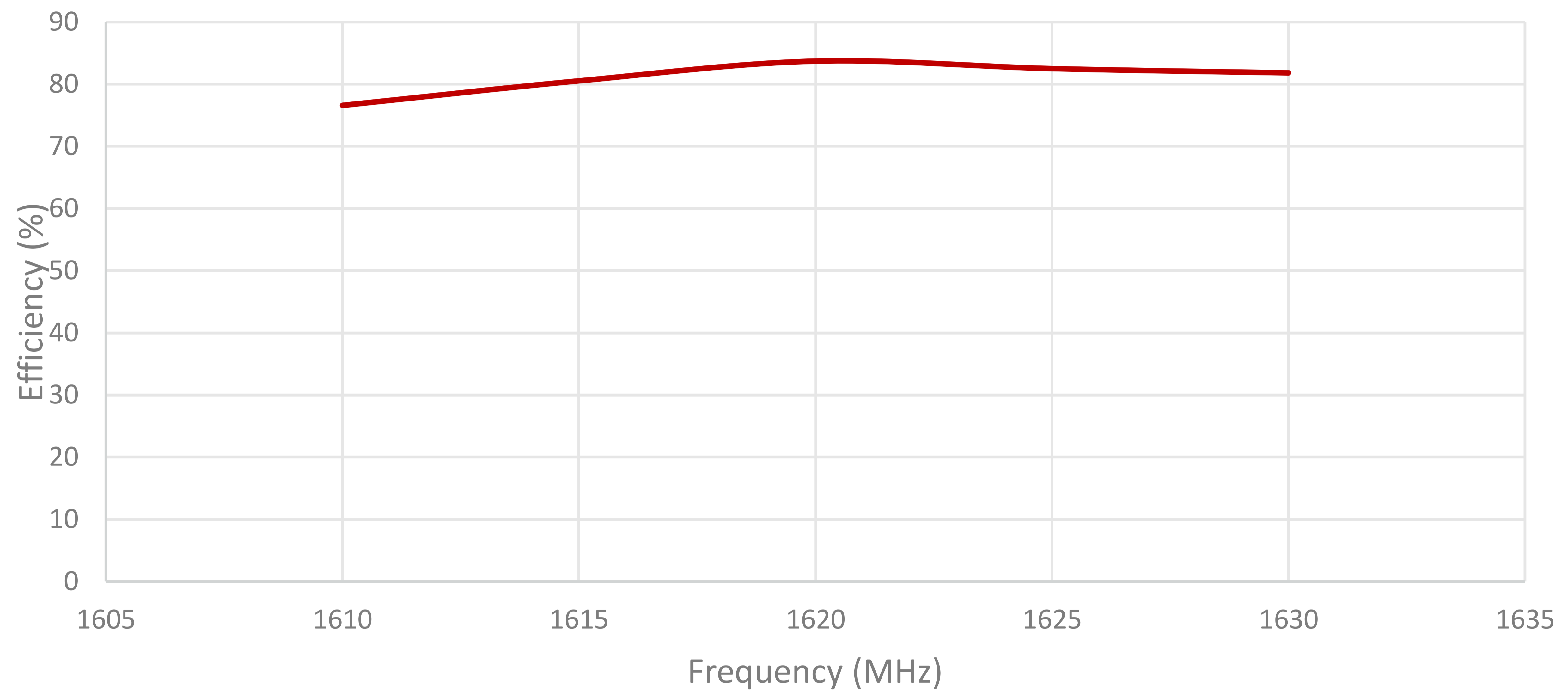
Measured in Certified CTIA 3D Anechoic Chamber

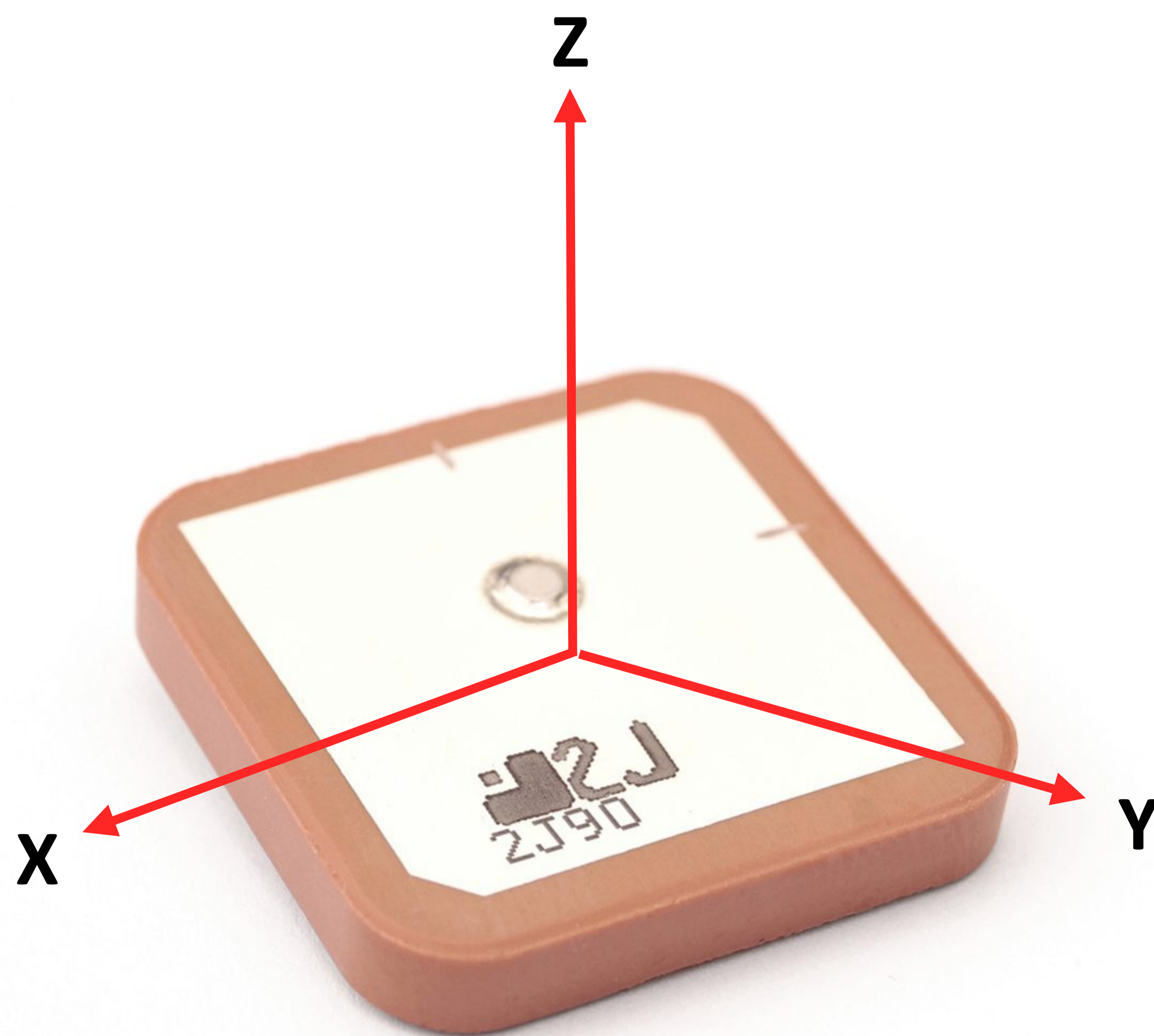
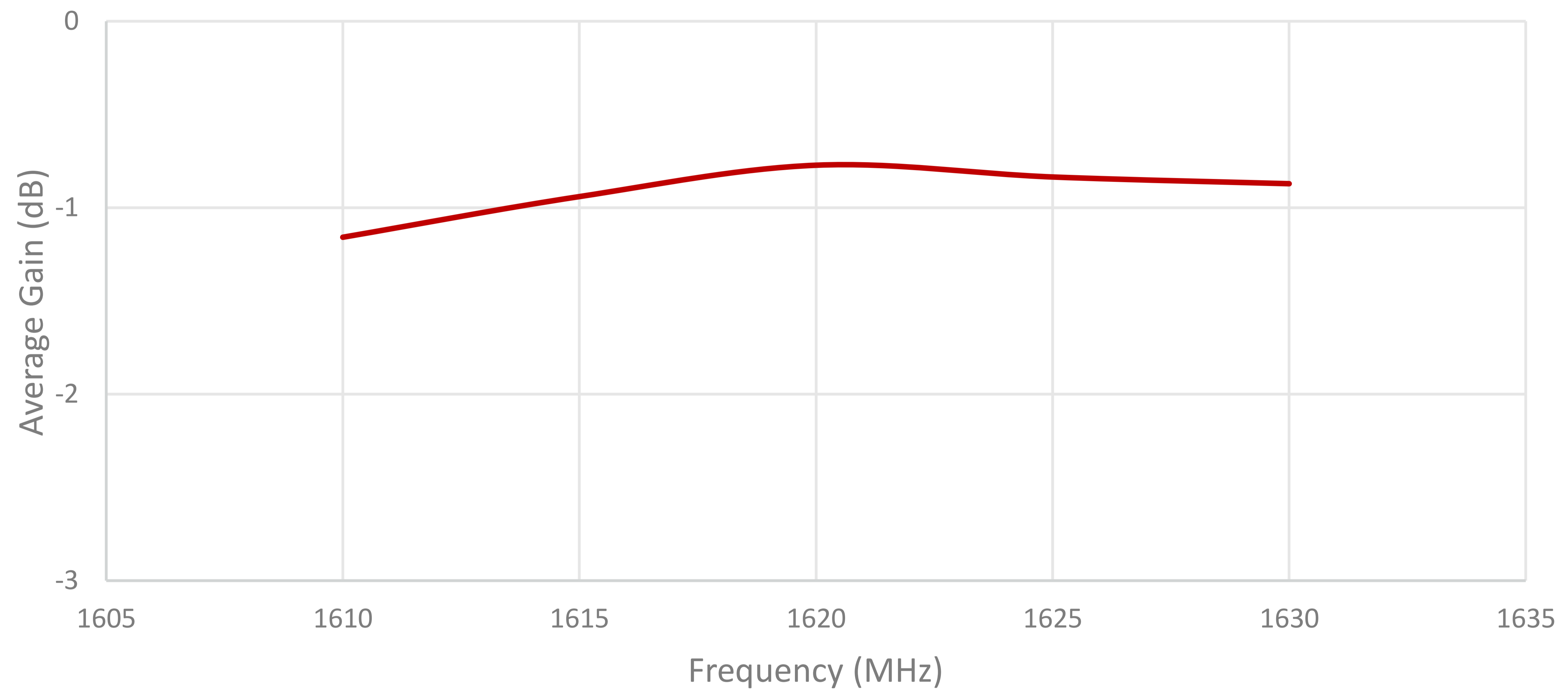
2. Mechanical and environmental specifications

Specifications	2JCP2542601a
Mounting Type	Thru-Hole Mount
Dimensions (mm)	25 x 25 x 4
Operating Temperature (C)	-40 to +85
Storage Temperature (C)	-40 to +85
Substance Compliance	RoHS

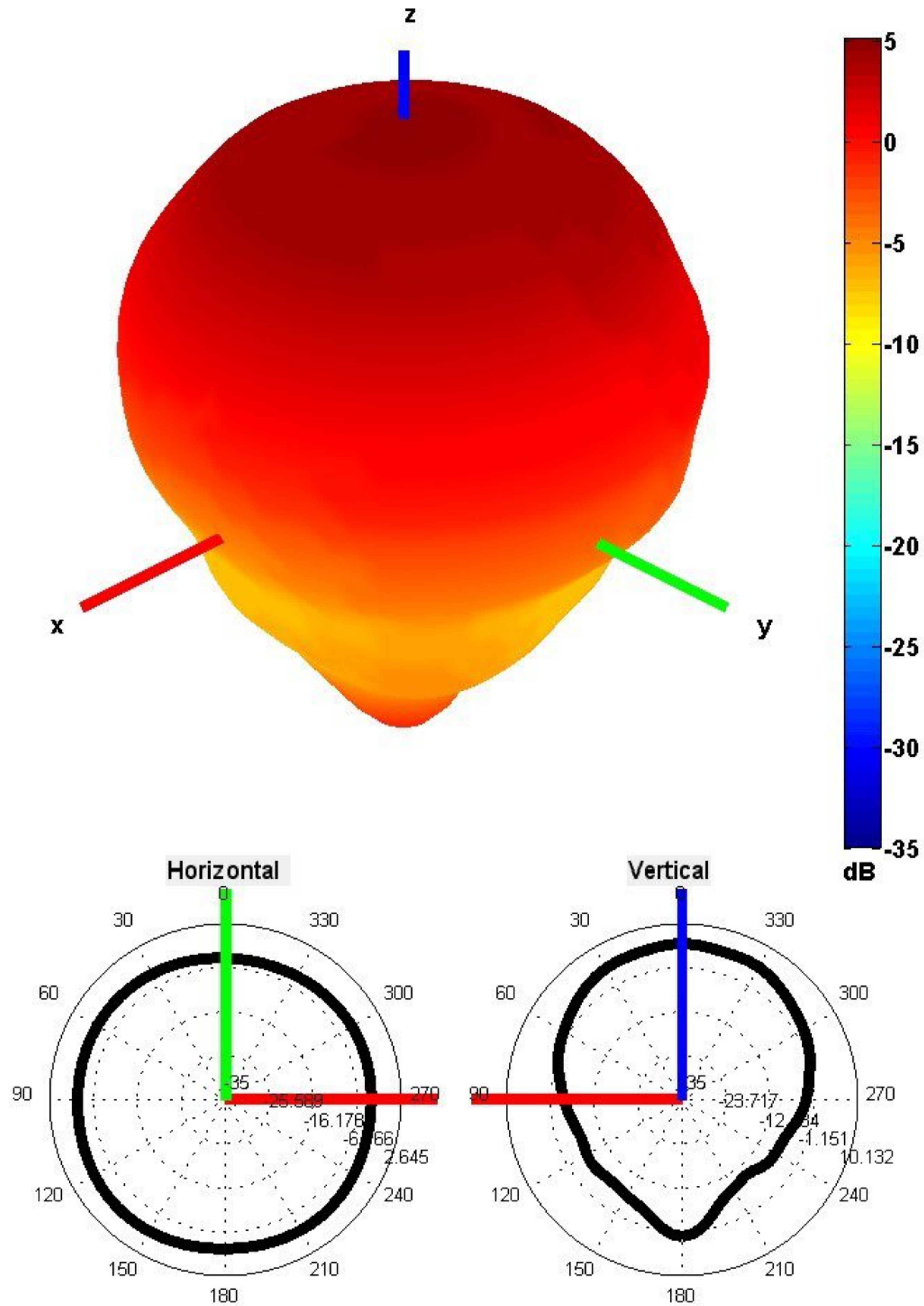
3. Antenna parameters





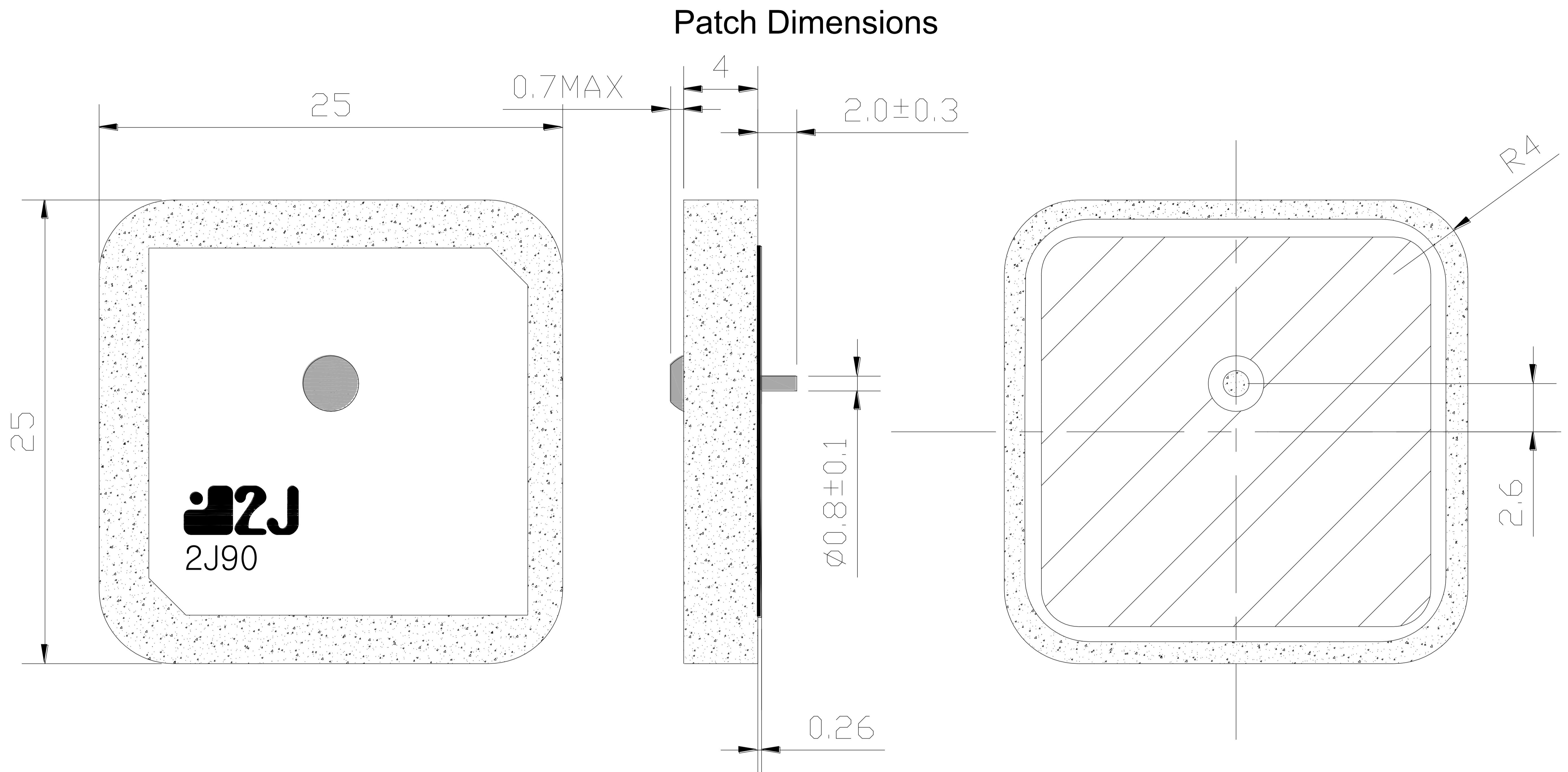


Radiation pattern reference

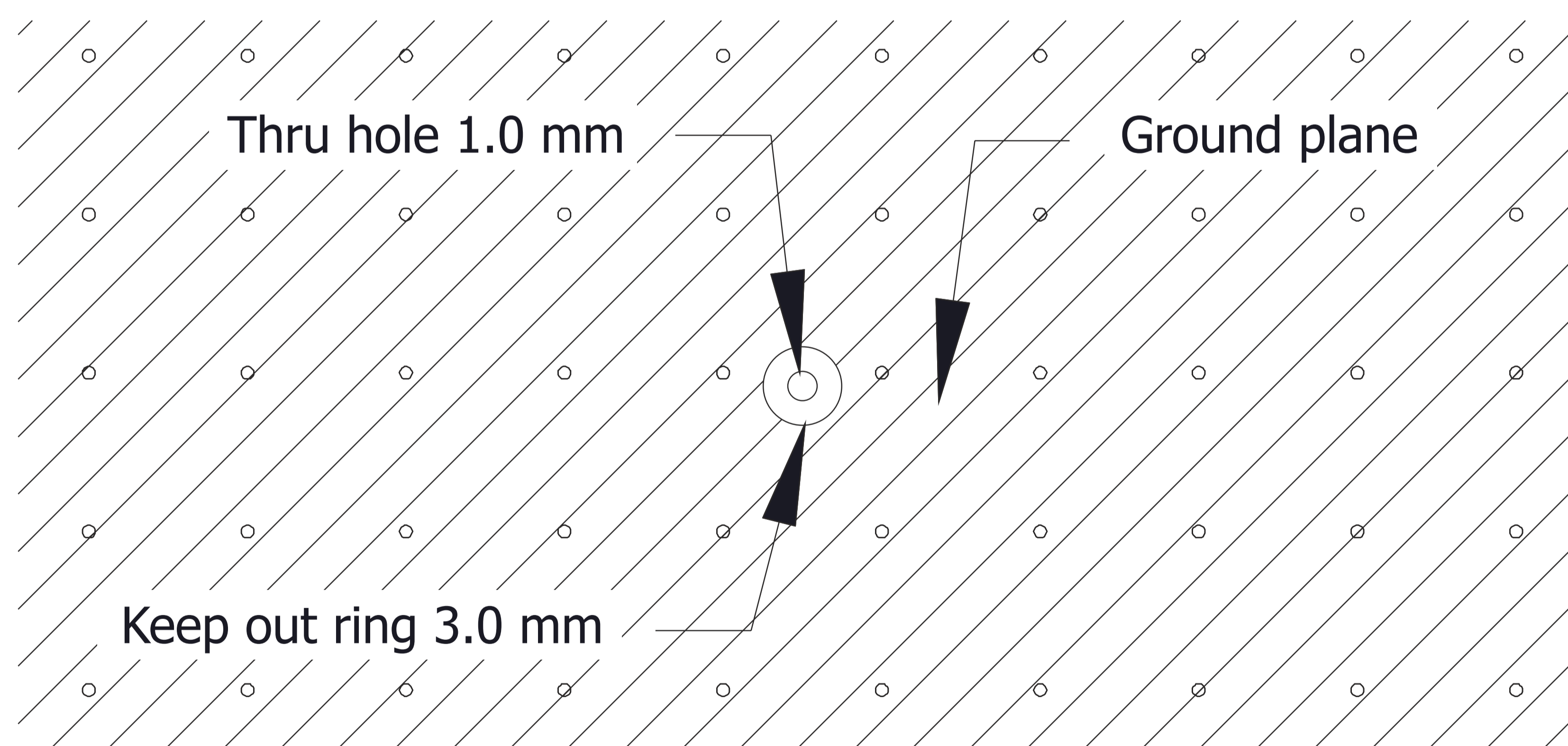


1621 MHz Radiation pattern

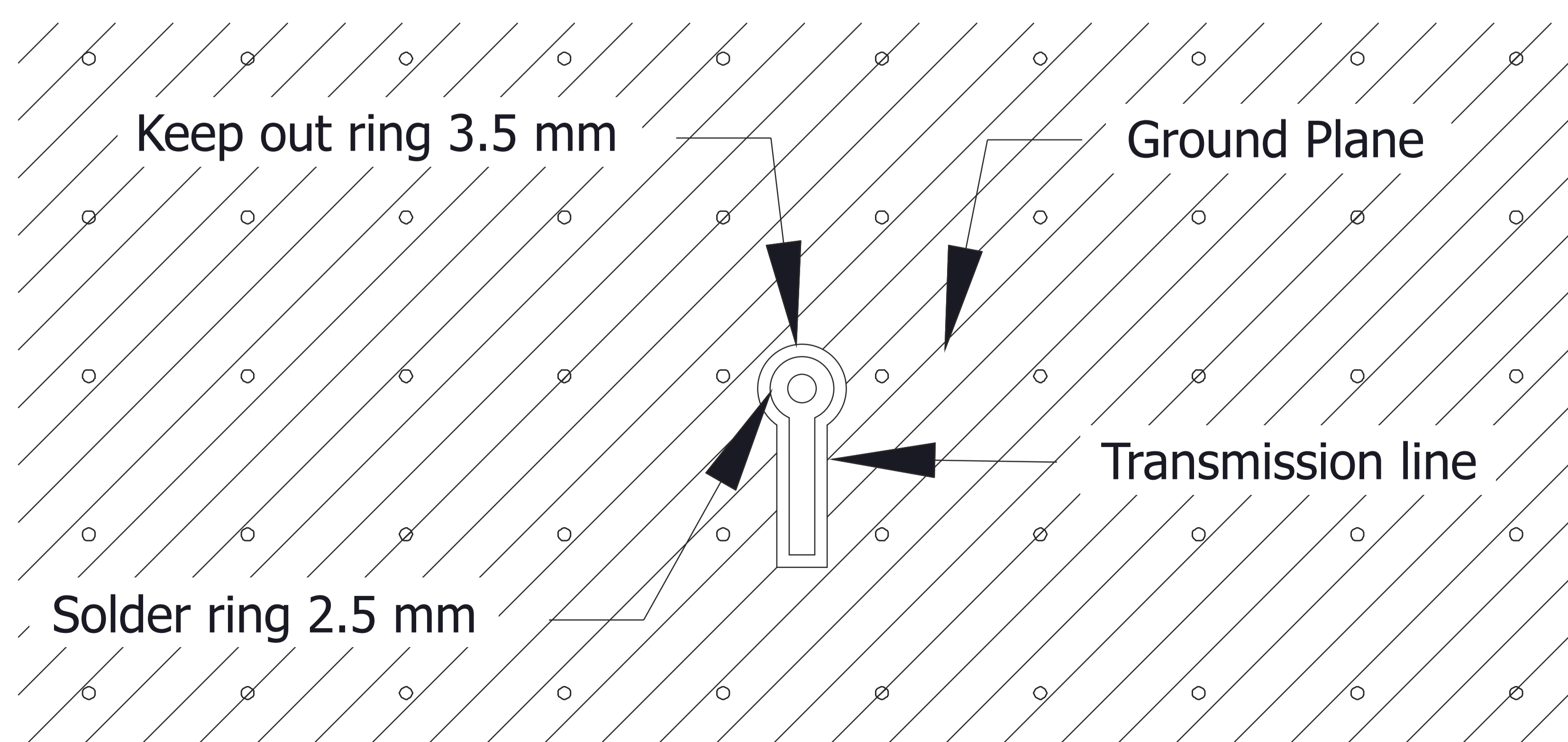
4. Antenna drawings



Layout for top layer



Layout for bottom layer



5. Antenna Images

