

2J9101JBWGF-B12JW-B10BW

GPS/GLONASS Screw/Pole/Adhesive Mount

Key Features

GPS/GLONASS/QZSS/Galileo

- 1575-1606 MHz

Configurable Mount options

Screw/Pole/Adhesive Mount options

High Performance

Compact Marine antenna

Ground Plane Independent

Customizable Cable and Connector

Dimensions 130 × 110 × 74 mm

Certificates: IP67

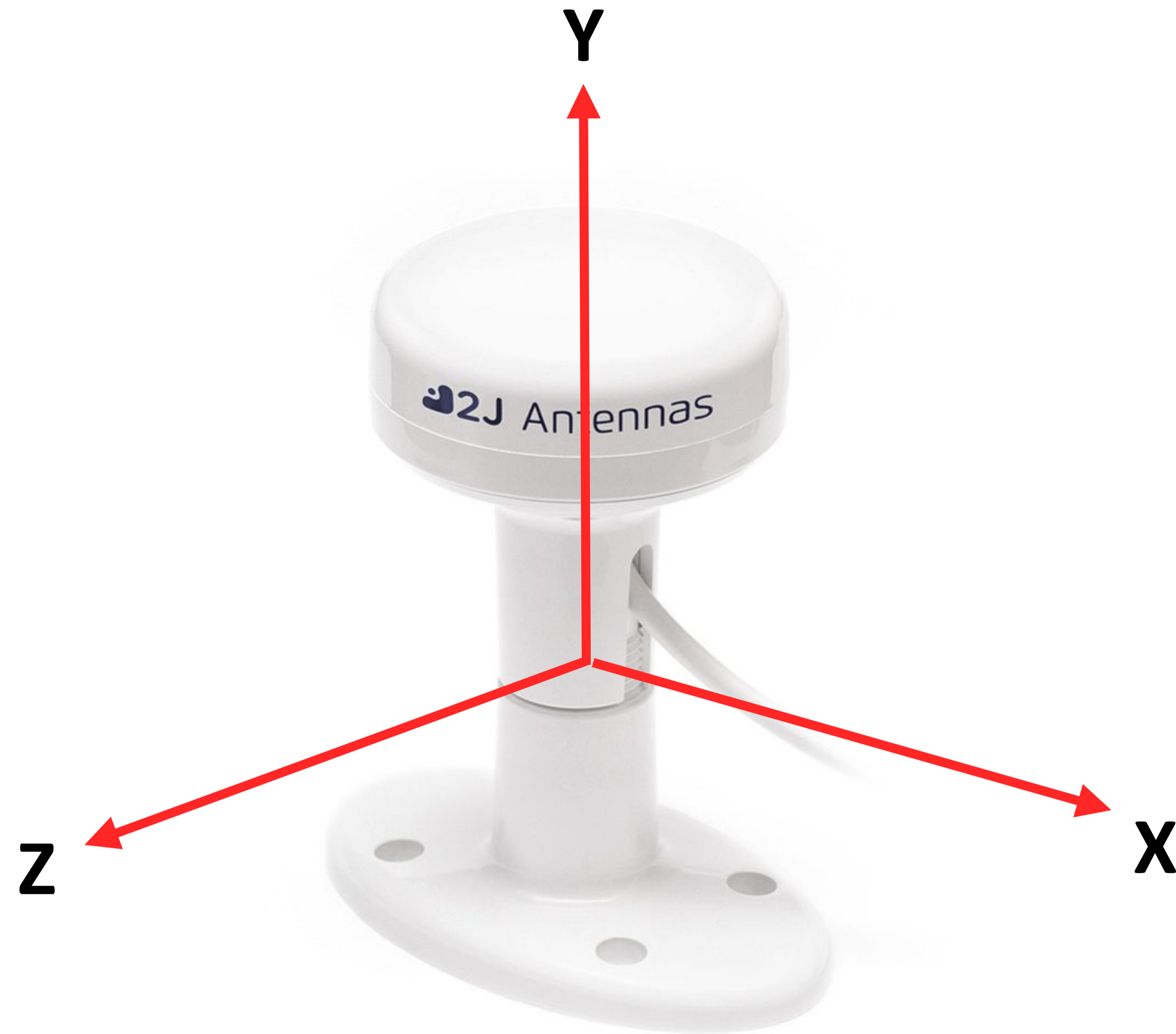


1. Antenna and electrical specifications

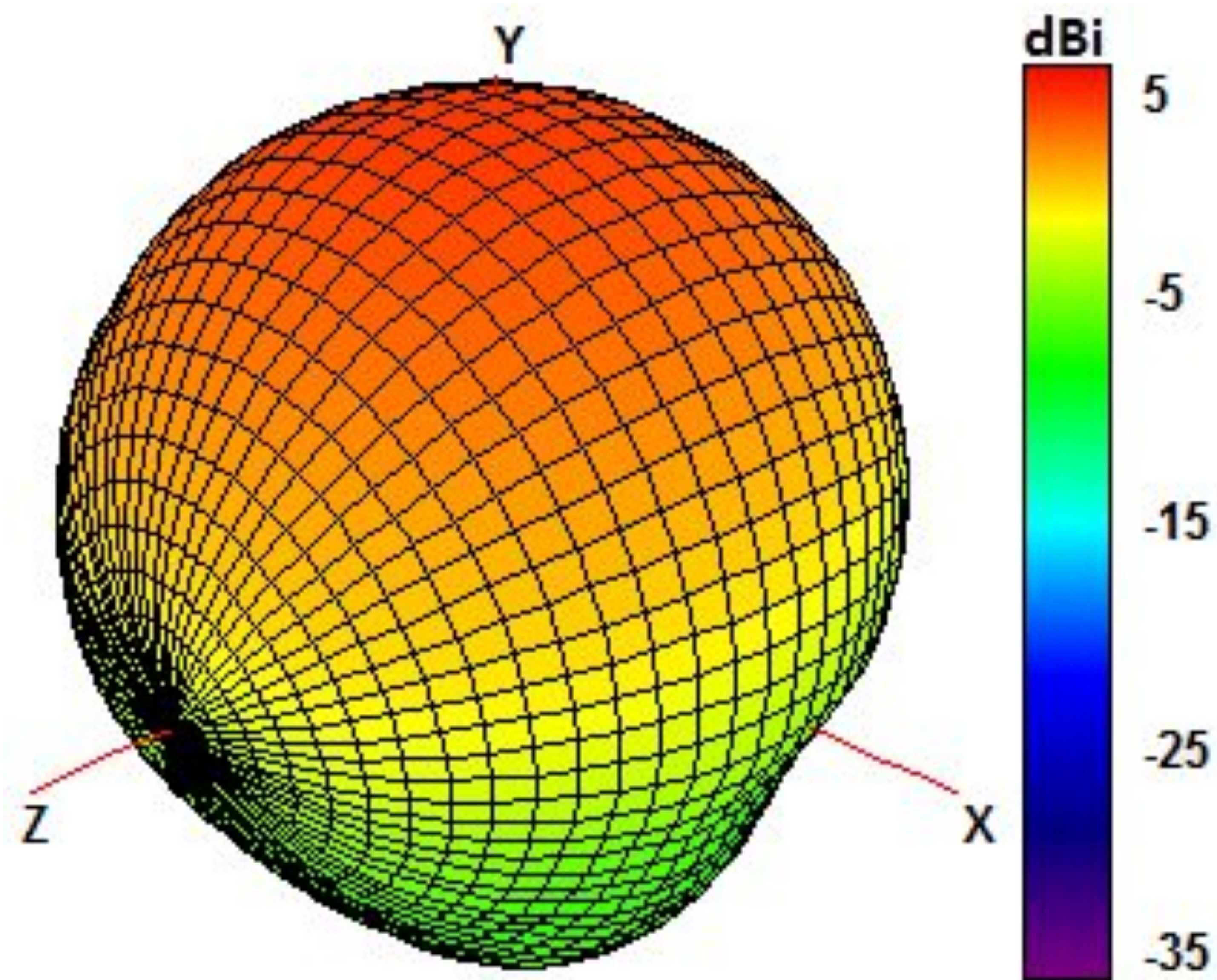
Cable 1	GPS/GLONASS Antenna	
Parameters	GPS / GLONASS	
Standard	GPS / GLONASS	
Band (MHz)	1575	1602
Frequency(MHz)	1575.42	1598-1610
Return Loss (dB)	<-15	
VSWR	<1.4:1	
Impedance	50	
Radiation Pattern	Hemispherical	
Polarization	RHCP	
Saw Filter	Pre-Filter	
Active Gain (dB)	23 @ 3V / 24 @ 5V	
Noise Figure (dB)	1.2	
Voltage (V)	2.7 - 5.5	
Current (mA)	15 - 25	
Power Consumption (mW)	138 Max	
Connector Type	SMA-Male Standard (Other Connectors Available)	
Cable Length	300 cm Standard (Any Cable Length Available)	
Cable Type	LL100W Standard (Other Cables Available)	

2. Mechanical and environmental specifications

Specifications	2J9101JBWGF-B12JW-B10BW
Mounting Type	Screw/Pole/Adhesive Mount
Dimensions (mm)	130 × 110 × 74
Radome Type	ASA
Radome Color	White
Antenna Base	ASA
Operating Temperature (C)	-40 to +85
Storage Temperature (C)	-40 to +85
Certificates	IP67
Substance Compliance	RoHS



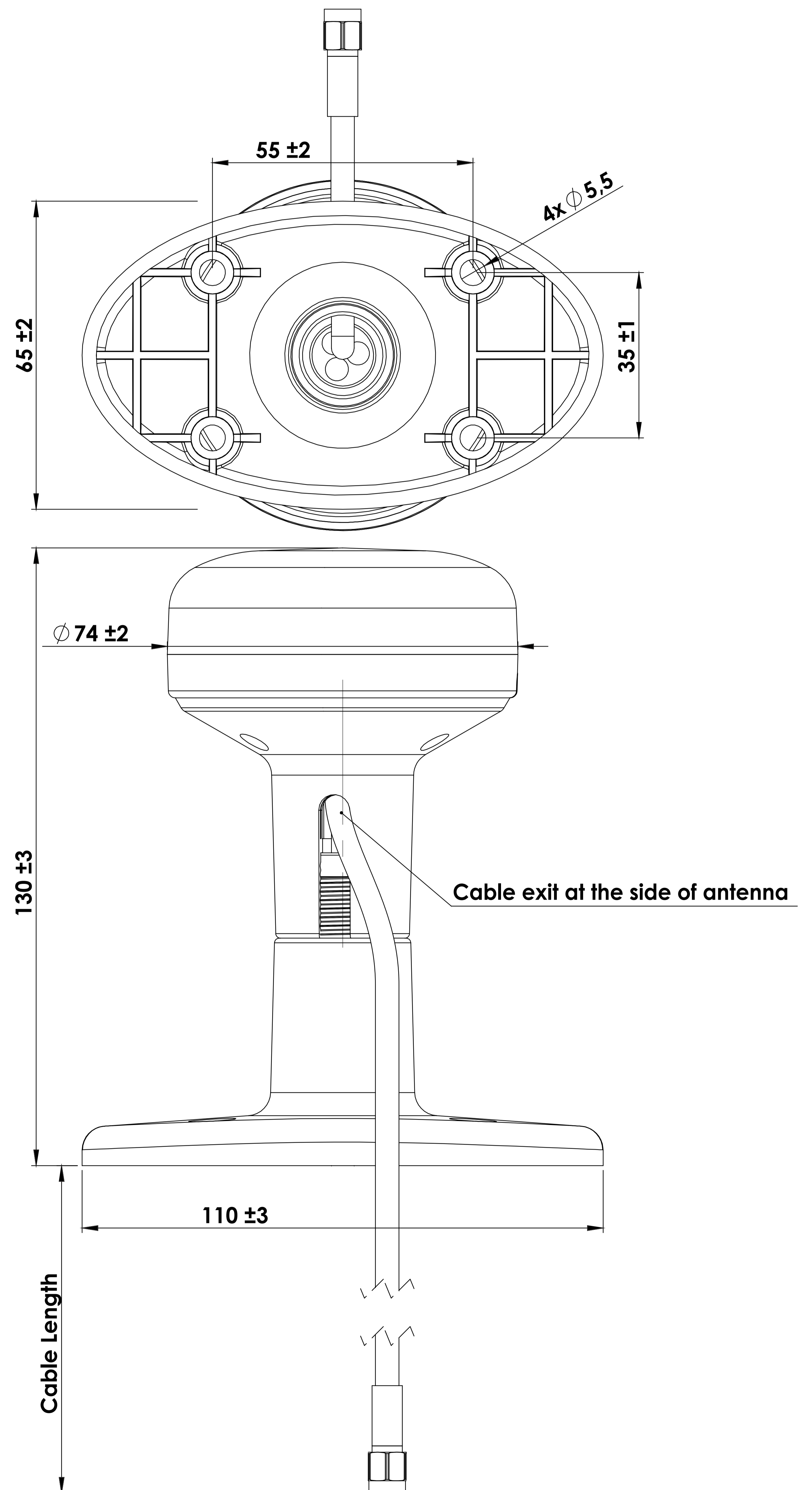
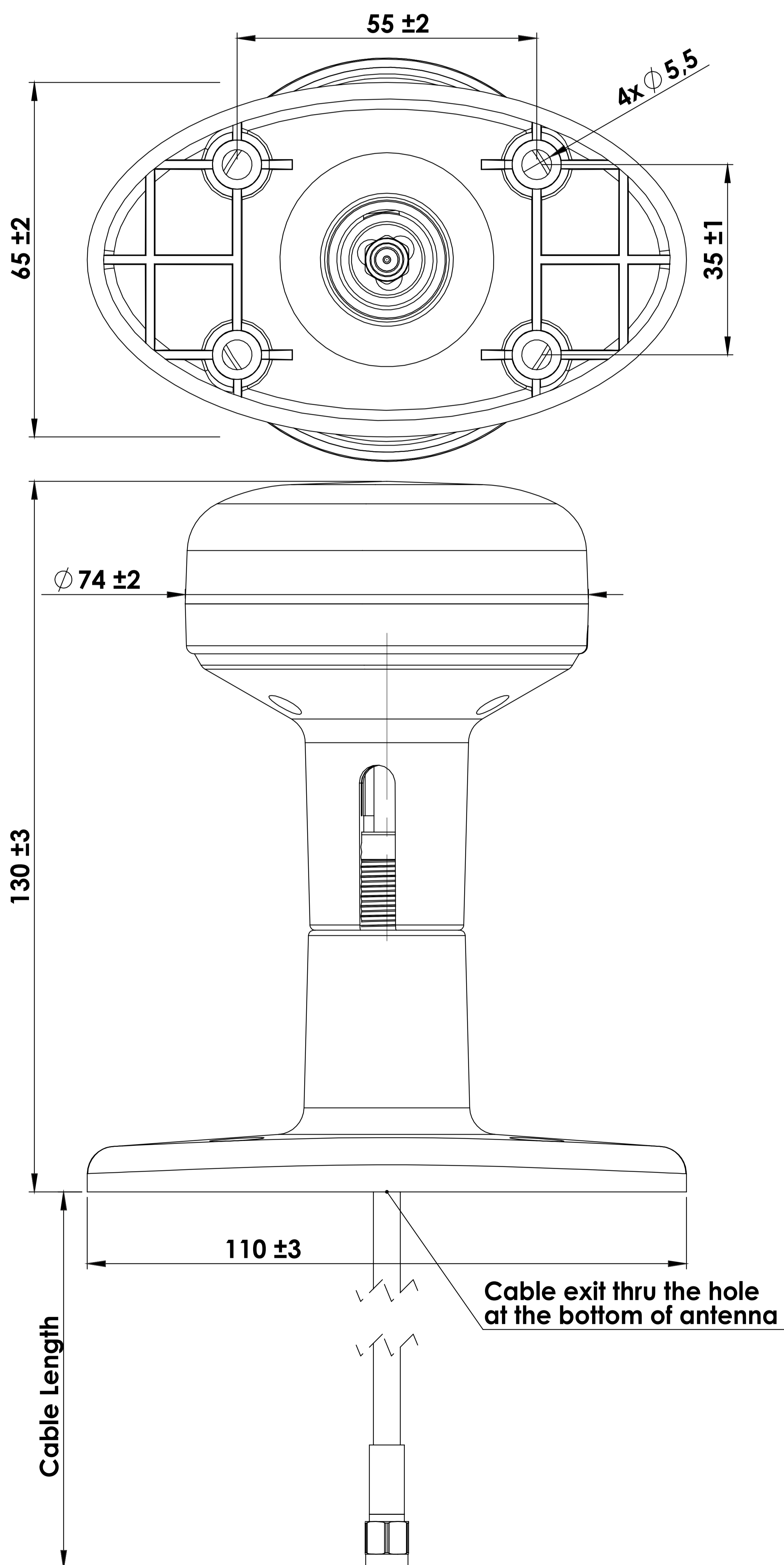
Radiation pattern reference



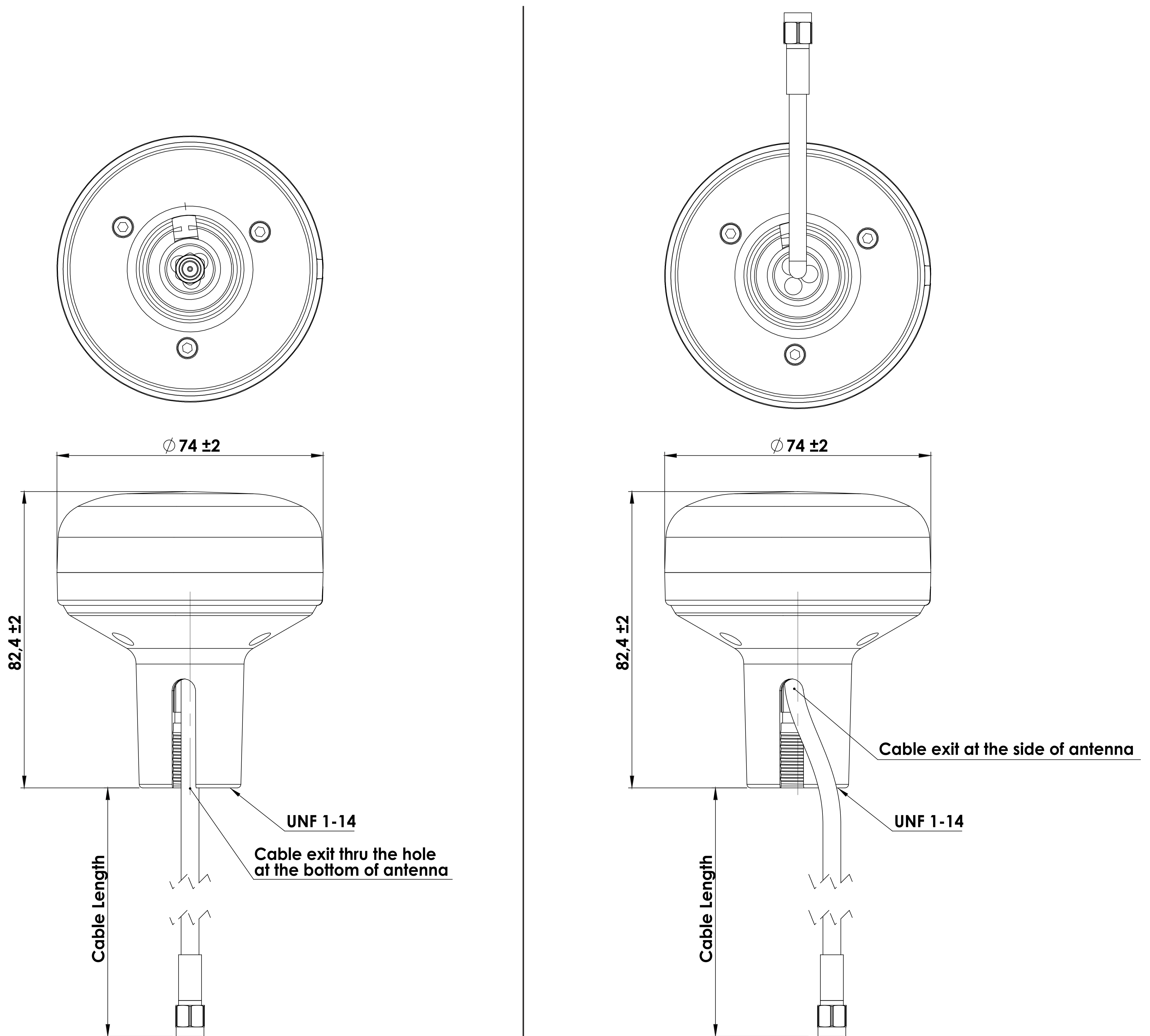
1575 MHz Radiation pattern

3. Antenna drawings

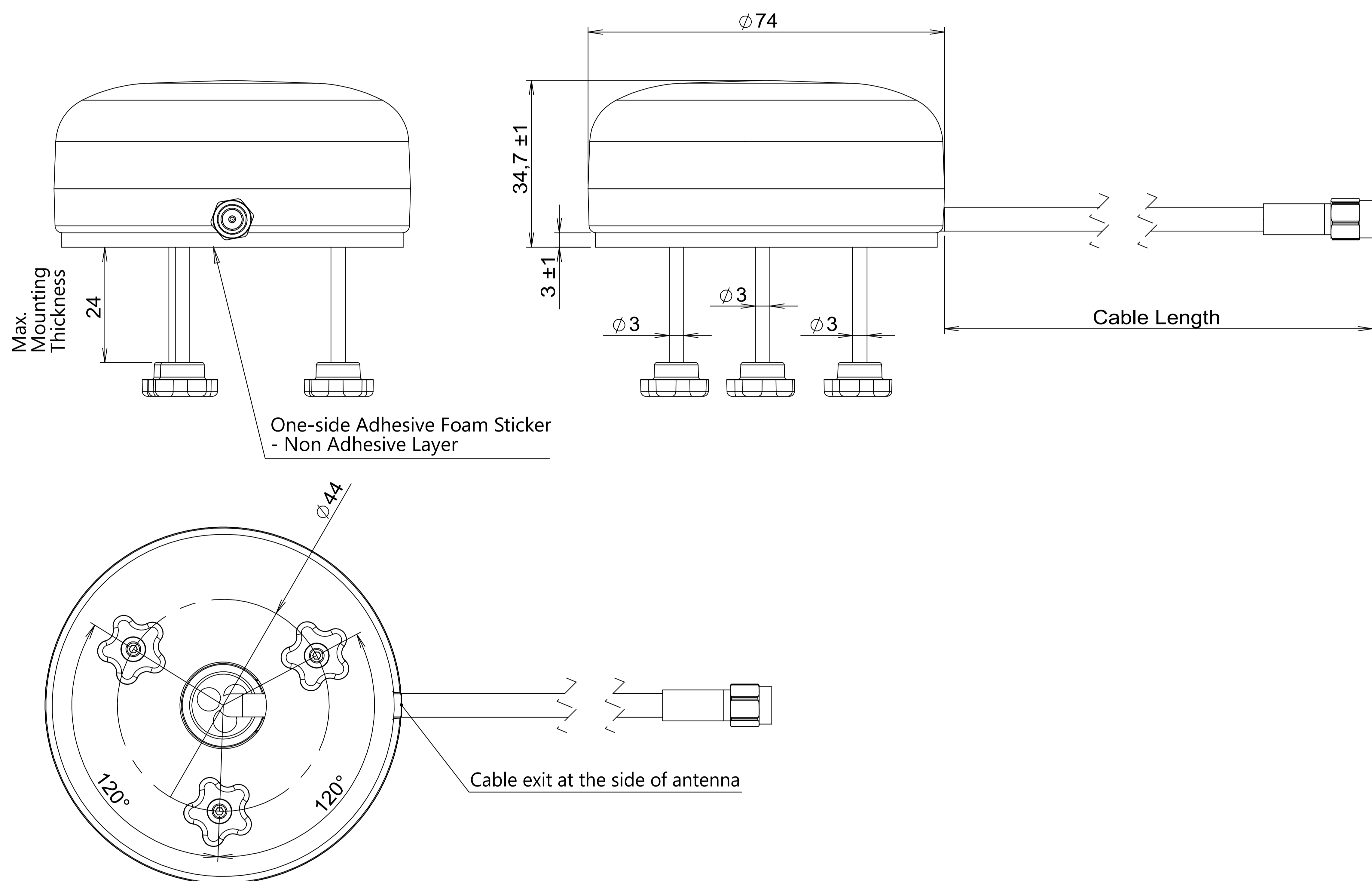
Screw Mount options using 2JB10BW Bracket



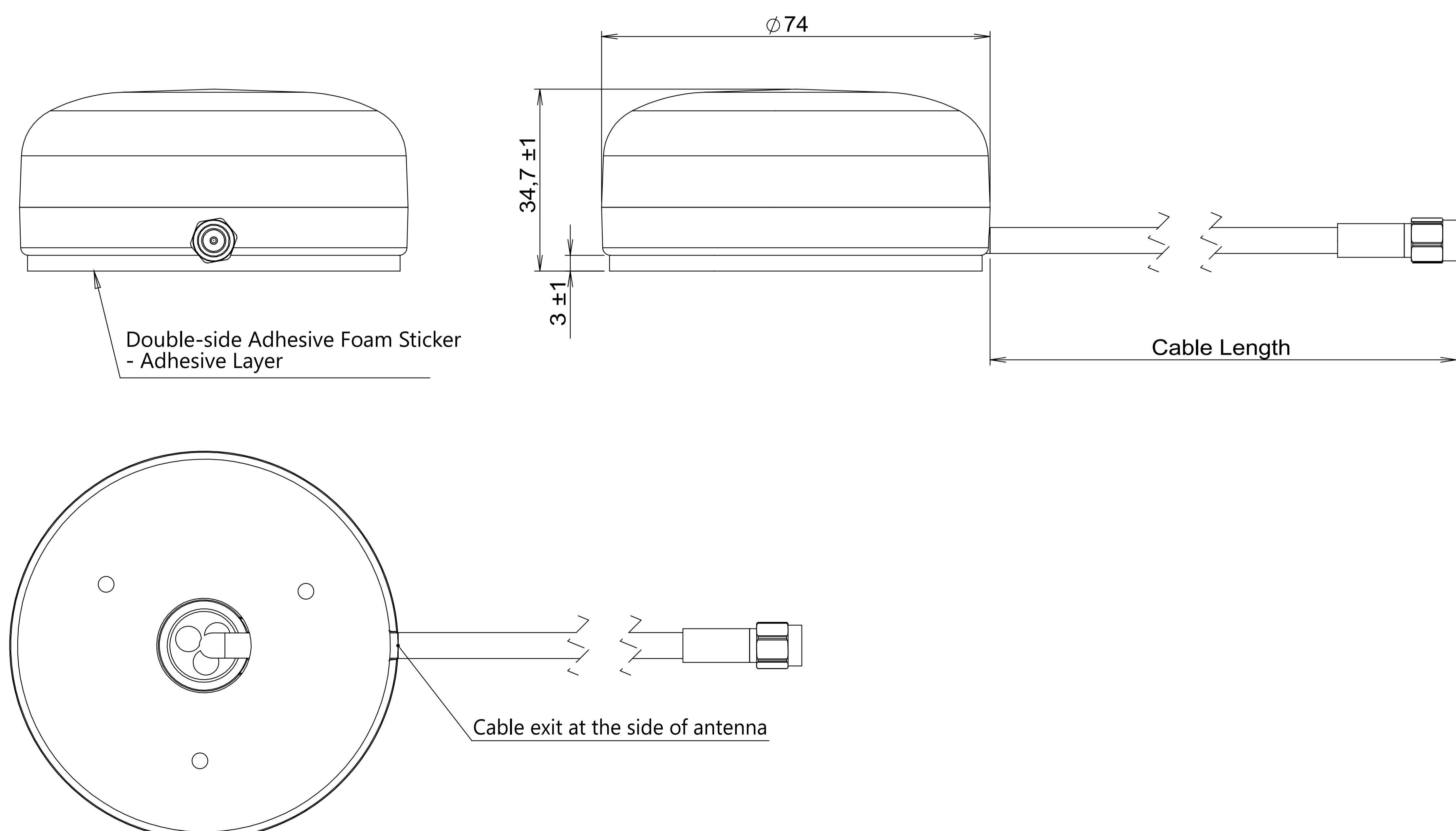
Pole Mount options using 2JB12JW Bracket



Screw Mount option



Adhesive Mount option



4. Antenna Images

