

# 2J7724M

## CELLULAR/LTE Magnetic Mount

### Key Features

#### Cable 1: CELLULAR / LTE

- 698-960 MHz
- 1710-2170 MHz
- 2500-2700 MHz

Magnetic Mount

High Performance

Ground Plane Dependent

Customizable Cable and Connector

Dimensions: Ø 54 x 68.2 mm

Certificates: IP67, IP69, IK09



## 1. Antenna and electrical specifications

Cable 1	CELLULAR / LTE Antenna		
Parameters	2G,3G and 4G		
<b>Standards</b>	2G,3G and 4G		
<b>Band (MHz)</b>	700/850/900	1700/1800/1900/2100	2600
<b>Frequency (MHz)</b>	698-960	1710-2170	2500-2700
<b>Return Loss (dB)</b>	~-11.0	~-21.8	~-17.5
<b>VSWR</b>	~1.9:1	~1.2:1	~1.4:1
<b>Efficiency (%)</b>	~60.1	~68.0	~56.4
<b>Peak Gain (dBi)</b>	~1.8	~3.1	~2.9
<b>Average Gain (dB)</b>	~-2.2	~-1.7	~-2.5
<b>Impedance (Ohm)</b>	50		
<b>Polarisation</b>	Linear		
<b>Radiation Pattern</b>	Omni-Directional		
<b>Max. Input Power (W)</b>	25		
<b>Connector Type</b>	SMA-Male Standard (Other Connectors Available)		
<b>Cable Length</b>	300 cm Standard (Any Cable Length Available)		
<b>Cable Type</b>	LL100 Standard (Other Cables Available)		

### Antenna Measurement Conditions:

Mounted on 30 x 30 cm Ground Plane

LL100 200 cm Cable Length

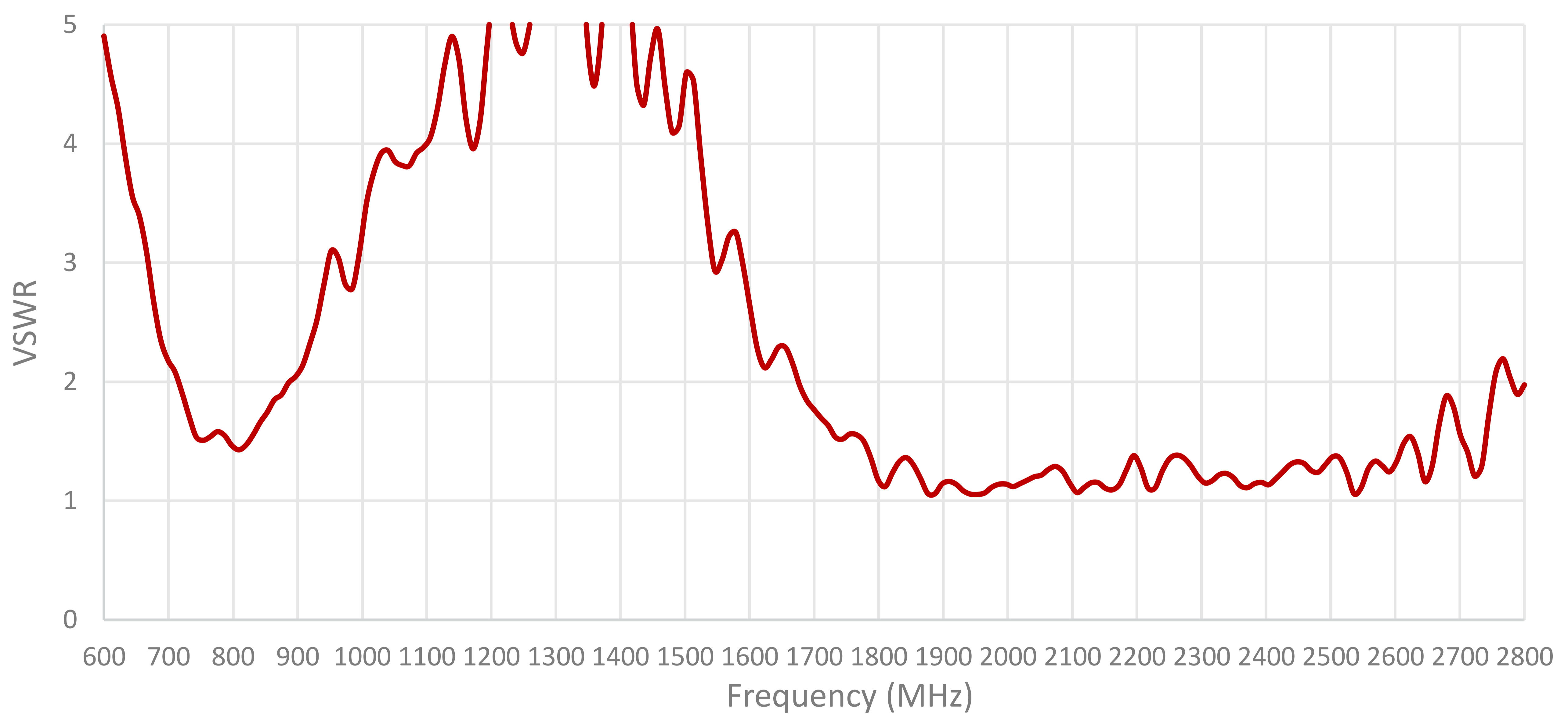
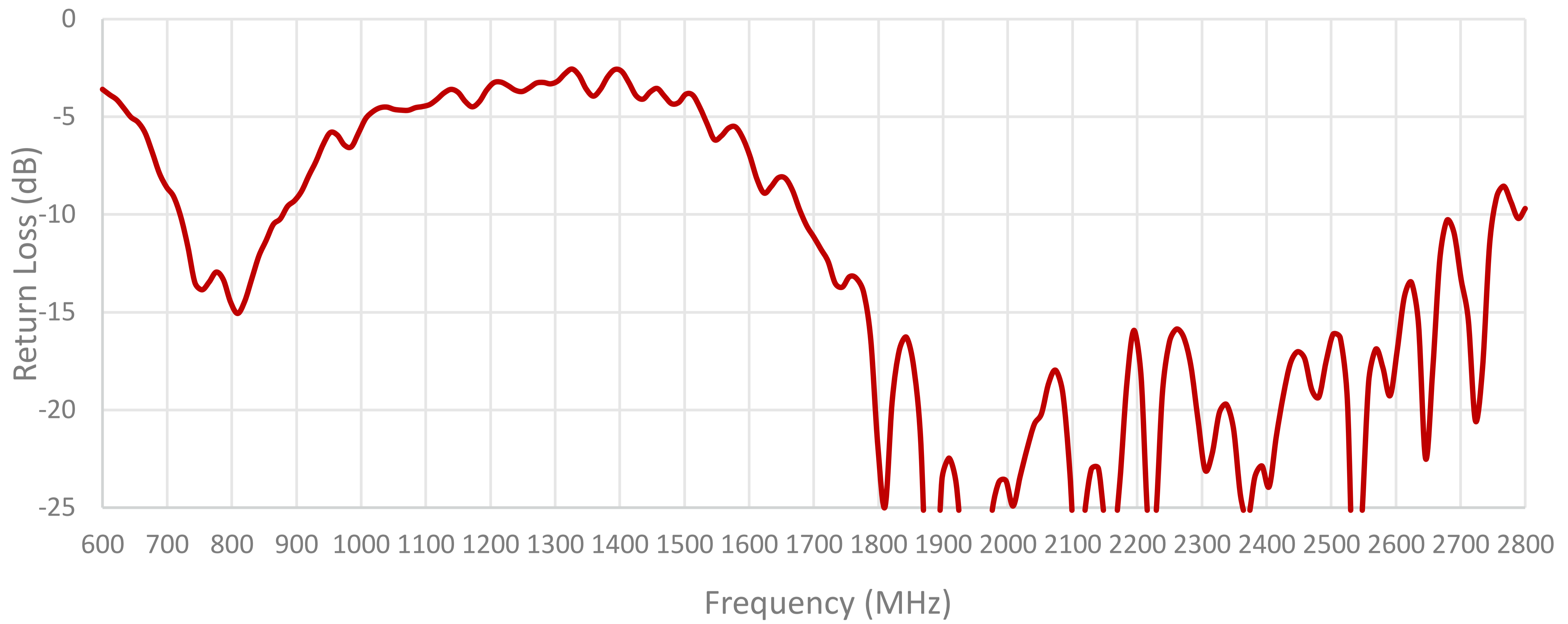
Measured in Certified CTIA 3D Anechoic Chamber

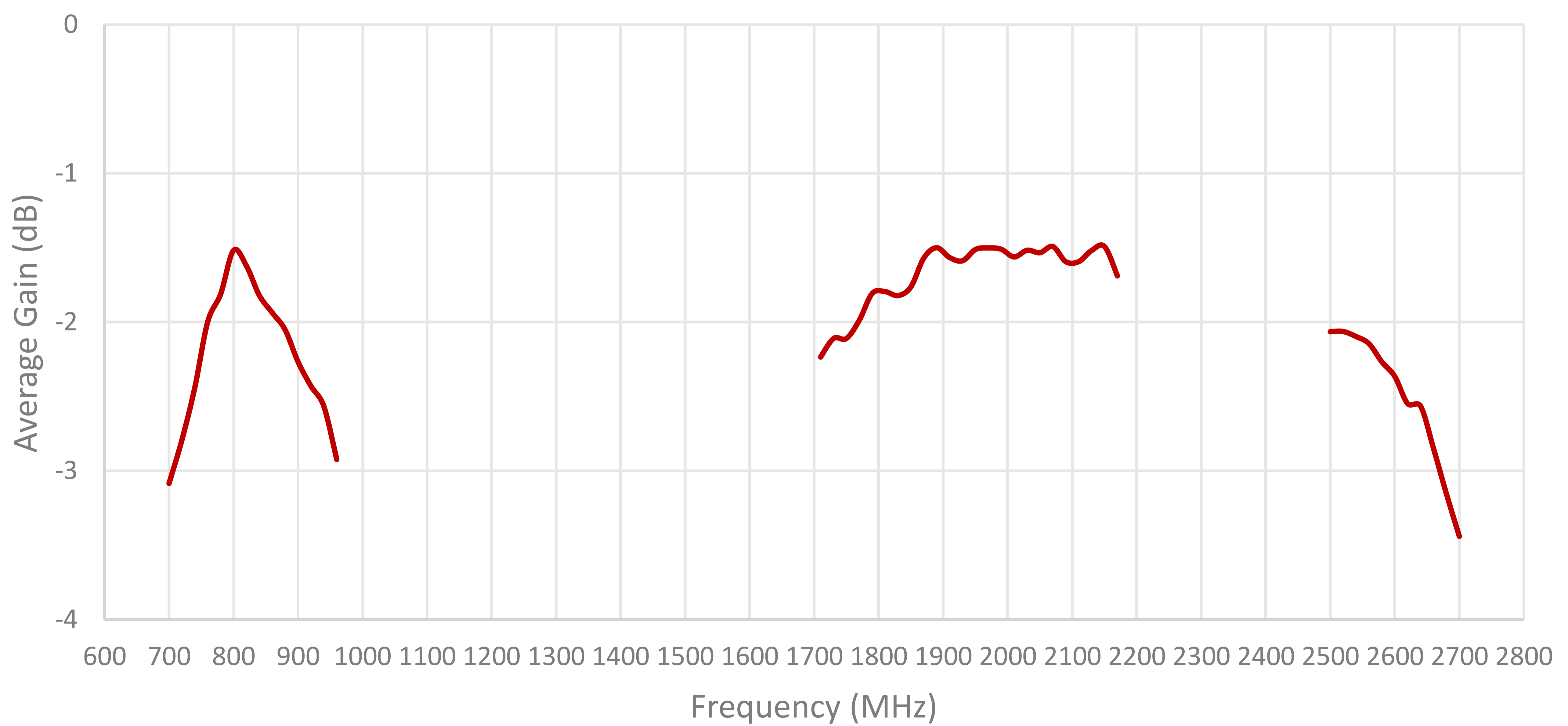
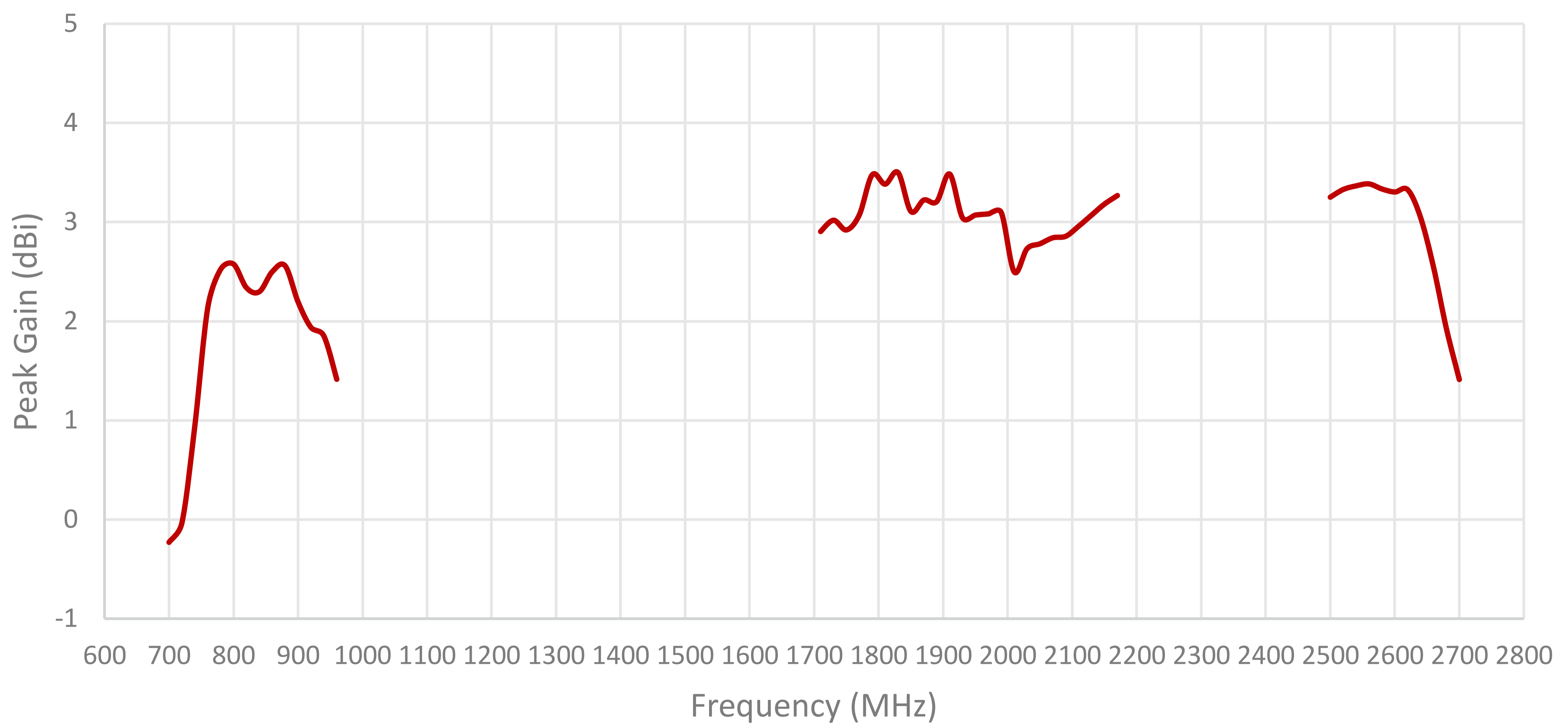
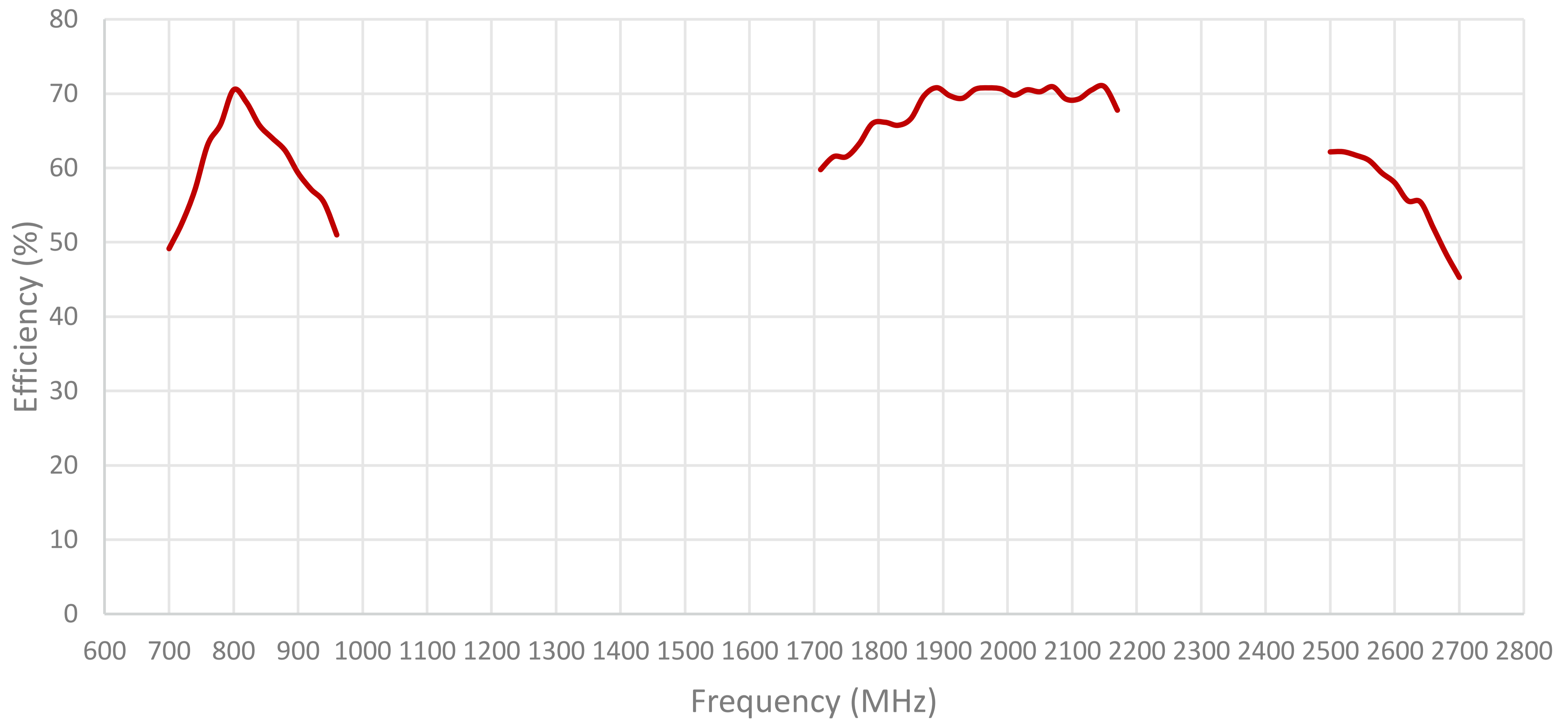
## 2. Mechanical and environmental specifications

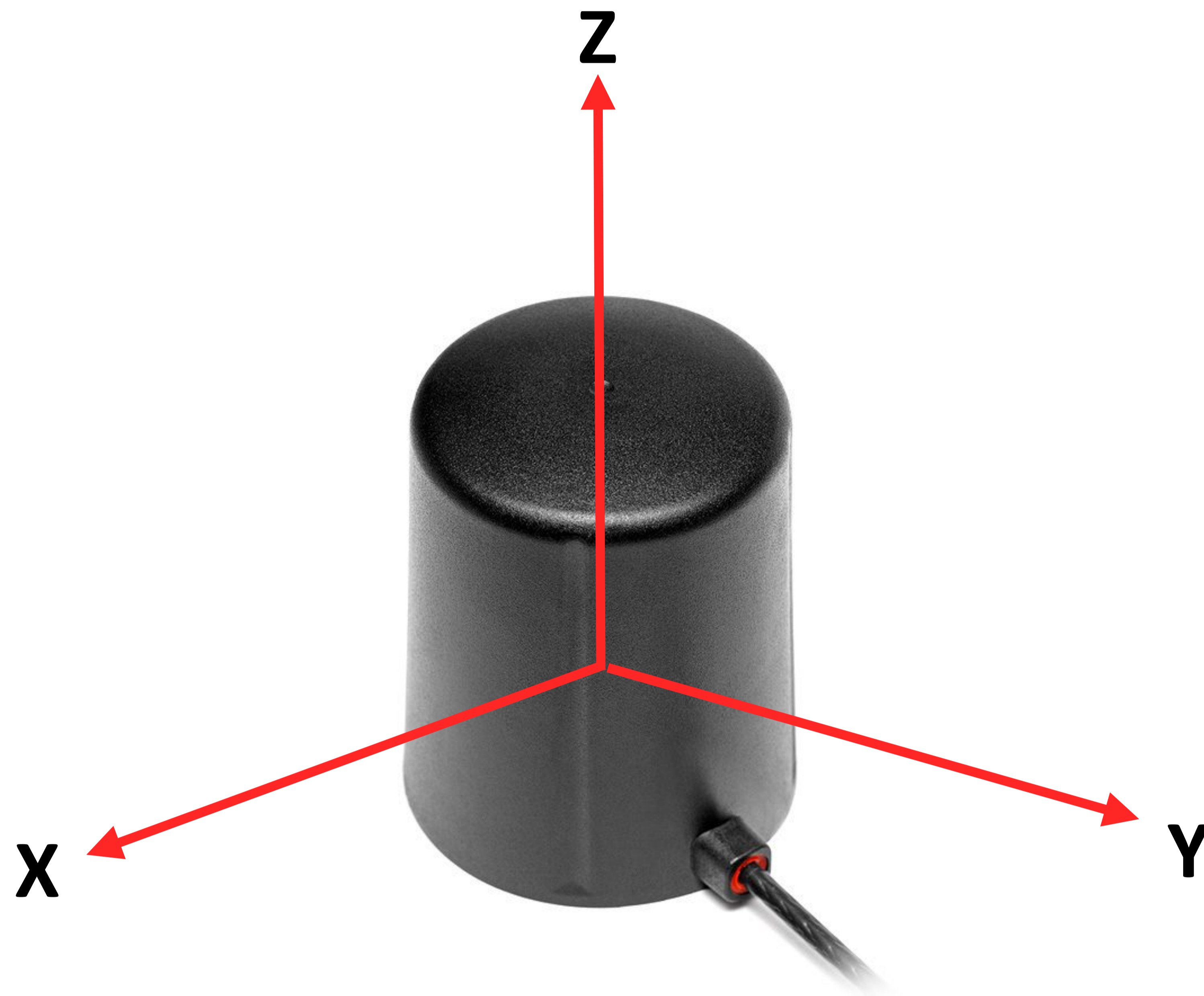
Specifications	2J7724M
<b>Mounting Type</b>	Magnetic Mount
<b>Dimensions (mm)</b>	Ø 54 x 68.2
<b>Radome Type</b>	ASA
<b>Radome Color</b>	Black
<b>Antenna Base</b>	Zamak
<b>Operating Temperature (C)</b>	-40 to +85
<b>Storage Temperature (C)</b>	-40 to +85
<b>Substance Compliance</b>	RoHS
<b>Certificates</b>	IP67, IP69, IK09

### 3. Antenna parameters

Cable 1: CELLULAR/LTE

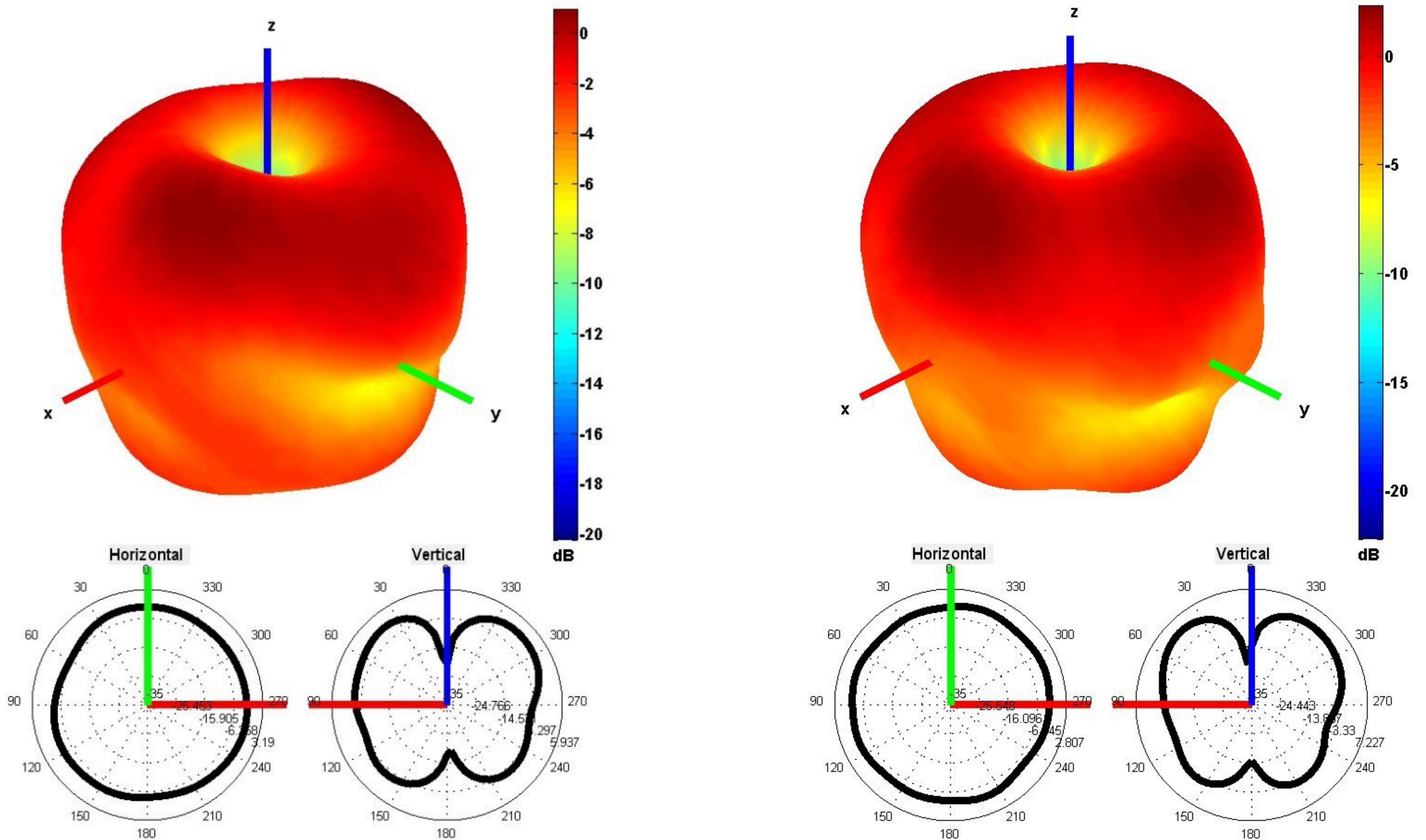




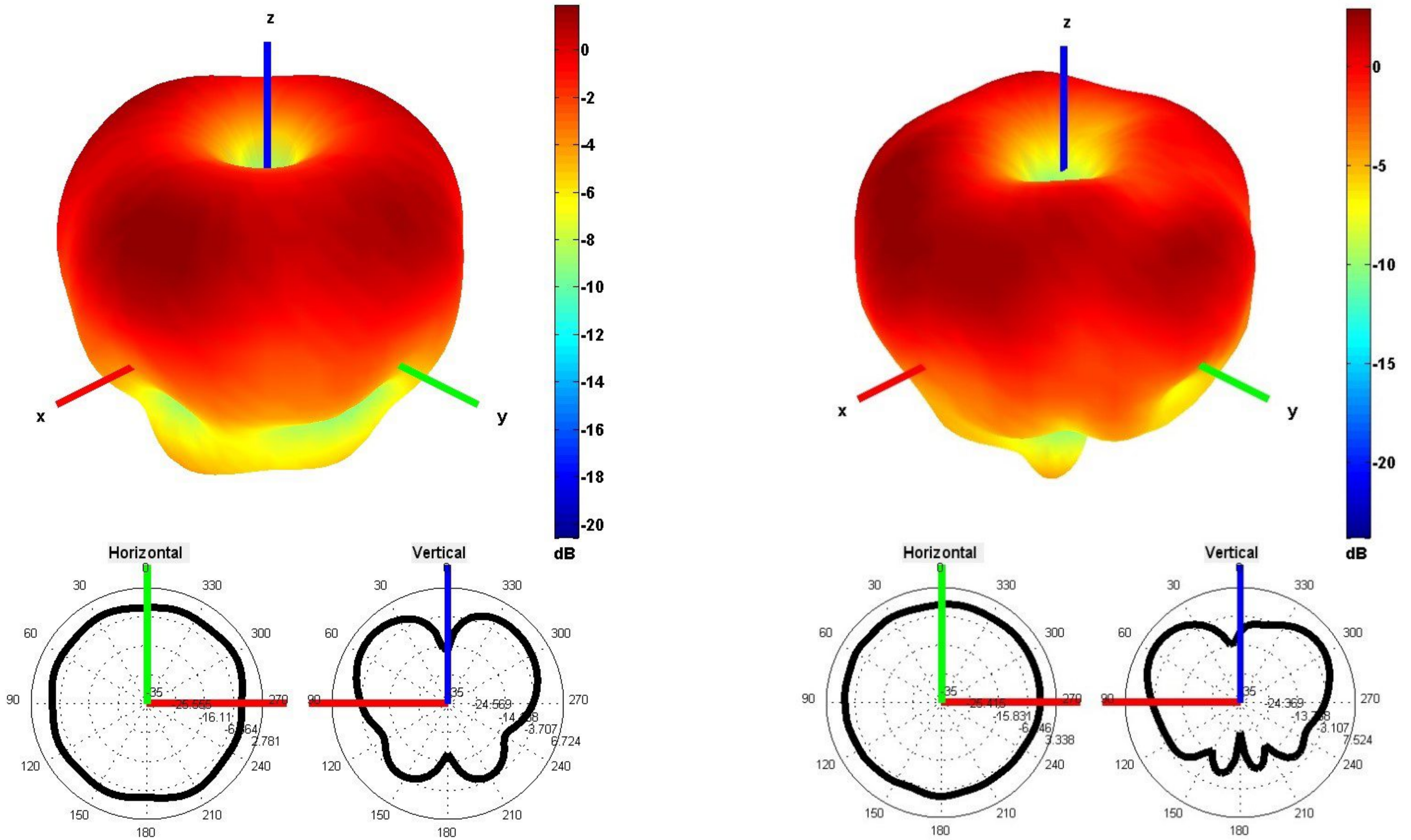


Radiation pattern reference

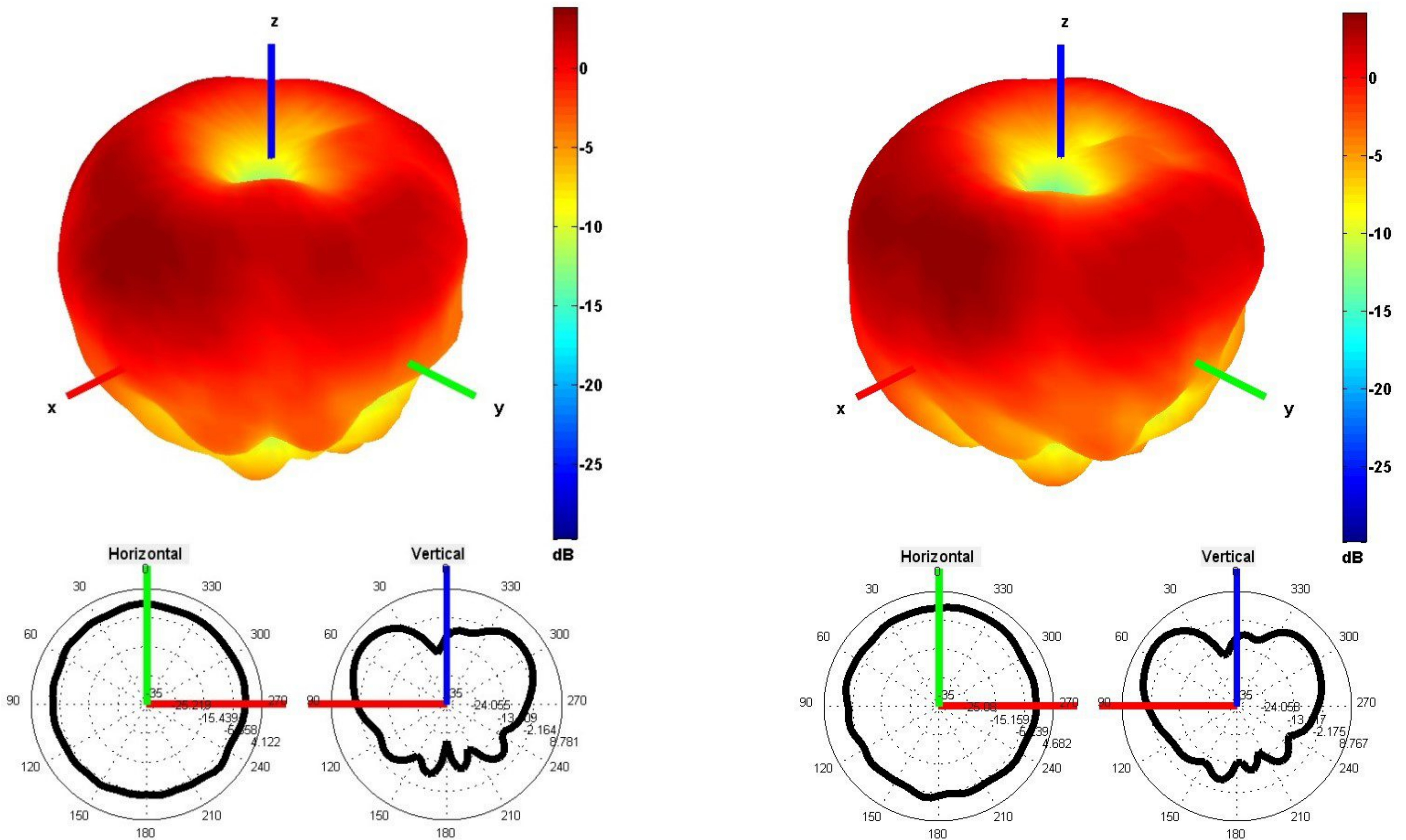
Cable 1: CELLULAR/LTE



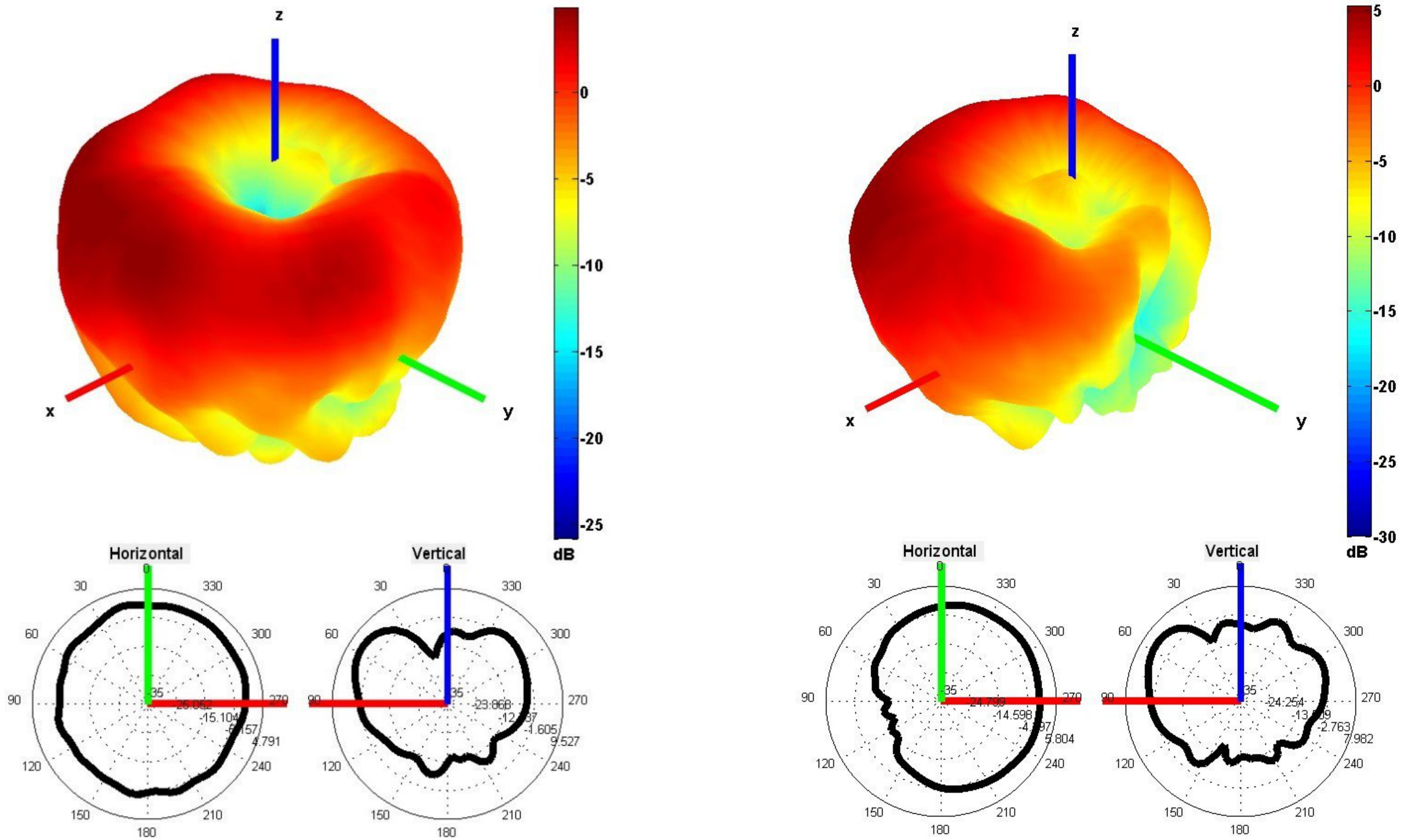
750 and 850 MHz Radiation pattern



940 and 1750 MHz Radiation pattern

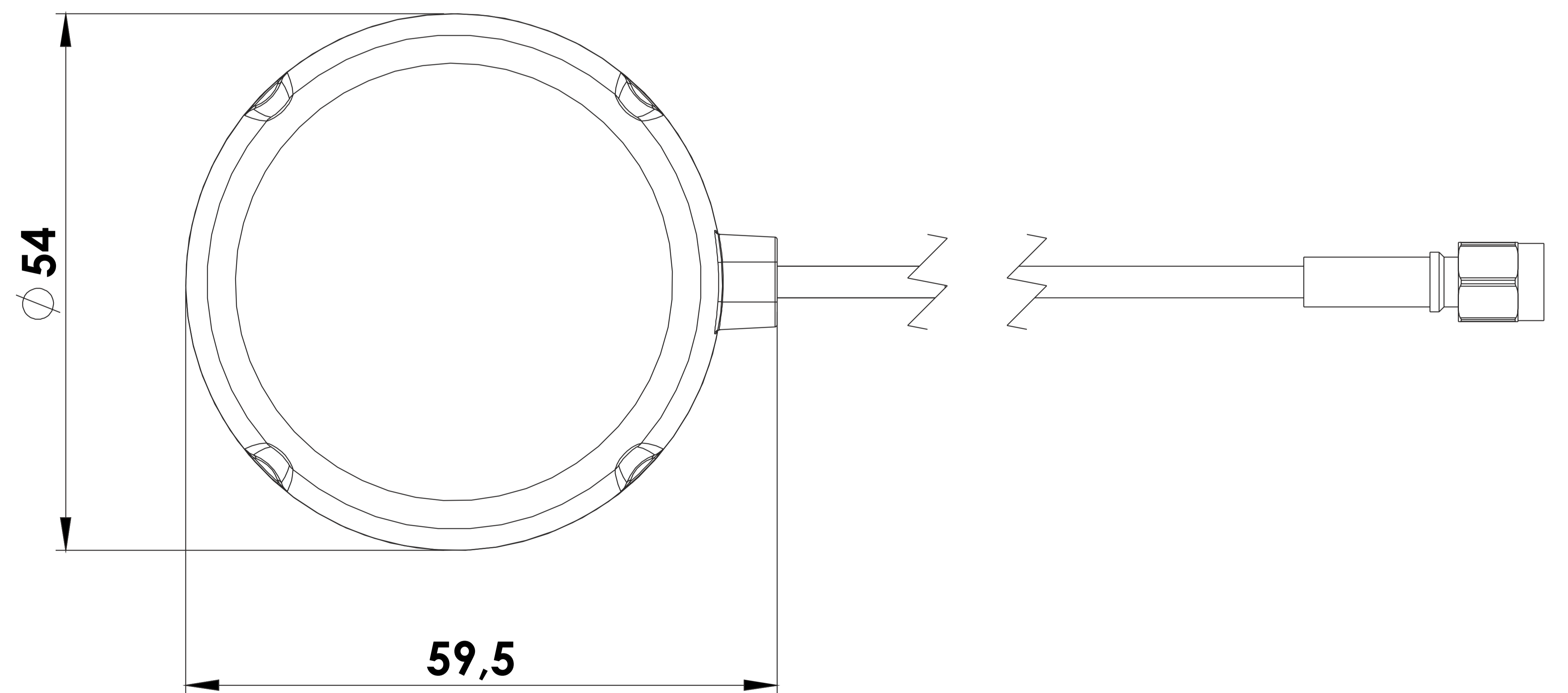
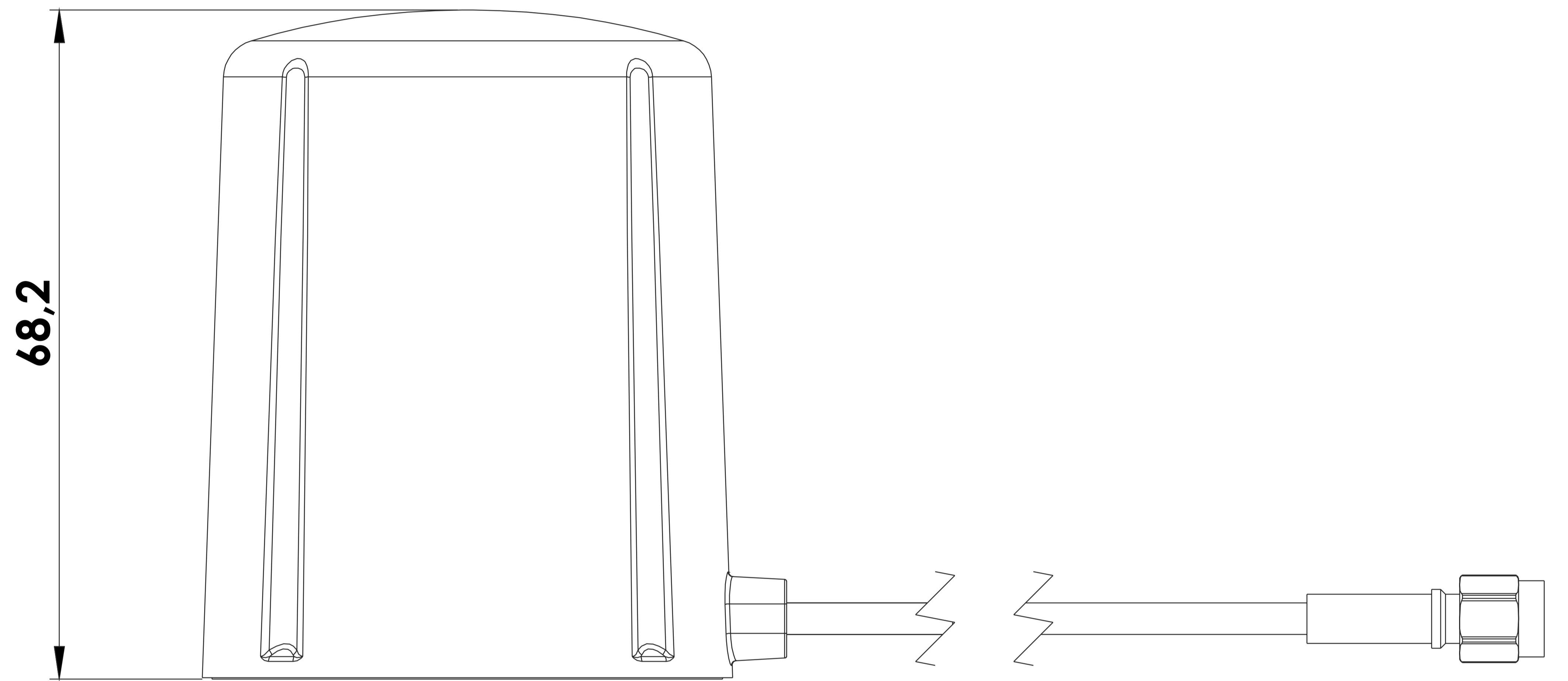
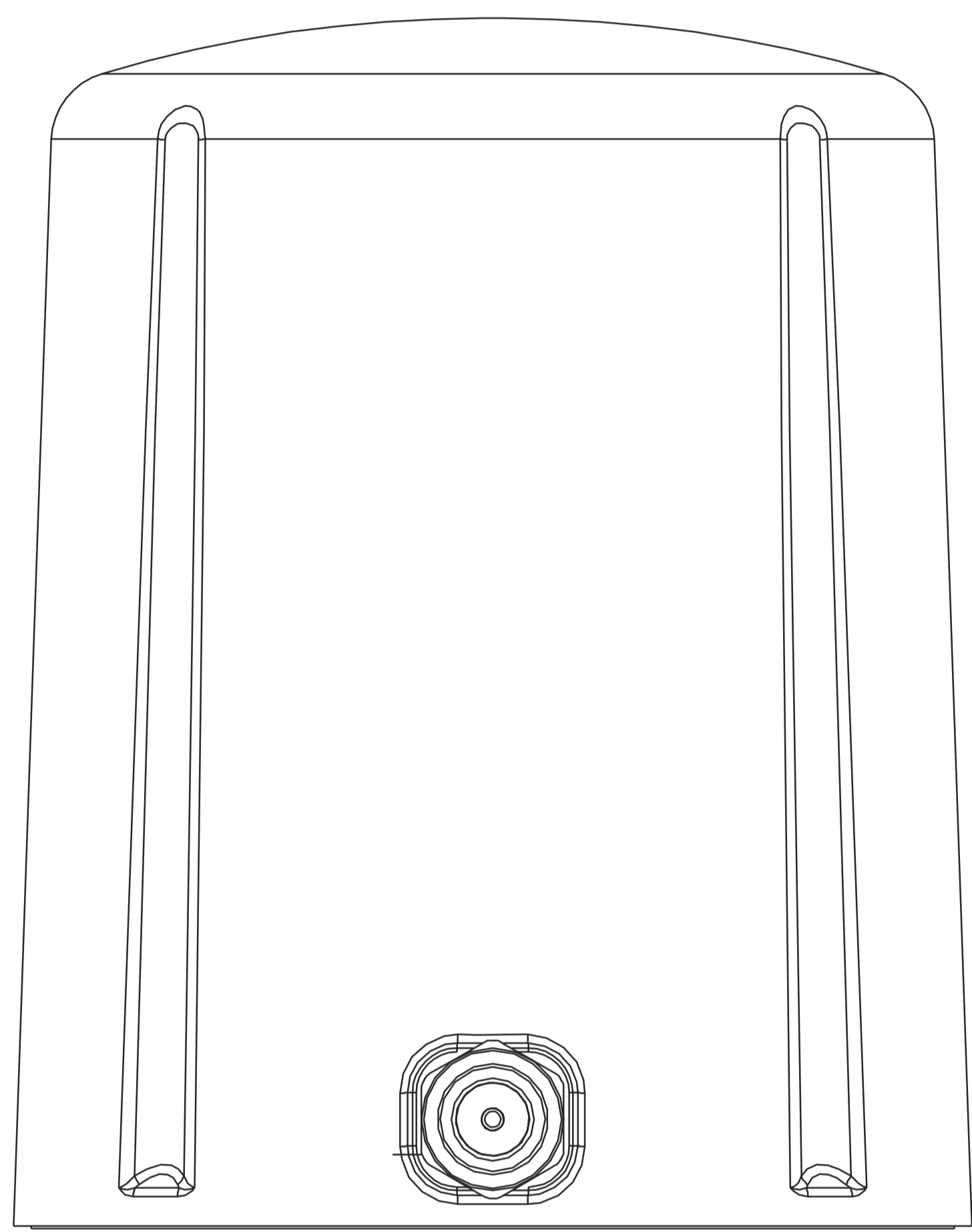


1850 and 1950 MHz Radiation pattern



2100 and 2600 MHz Radiation pattern

## 4. Antenna drawings





## 5. Antenna Images

