

# 2J7434MPz

## IRIDIUM/GPS Magnetic/Adhesive Mount

### Key Features

#### GPS/QZSS/Galileo and IRIDIUM

- 1575 MHz
- 1616-1627 MHz

#### Iridium Certified

- Magnetic/Adhesive Mount
- Low Profile
- Single Feed Technology
- Ground Plane Dependent
- Customizable Cable and Connector
- Dimensions  $\varnothing 54 \times 14.7$  mm
- Certificates: IP67, IP69



## 1. Antenna and electrical specifications

Cable 1	GNSS and IRIDIUM Magnetic Mount Antenna	
Parameters	GPS/QZSS/Galileo	IRIDIUM
<b>Standards</b>	GPS/QZSS/Galileo	IRIDIUM
<b>Bands (MHz)</b>	1575	1621
<b>Frequency (MHz)</b>	1575.42	1616 - 1627
<b>Return Loss (dB)</b>	~-12.9	~-15.8
<b>VSWR</b>	~1.6:1	~1.5:1
<b>Efficiency (%)</b>	~66.6	~65.9
<b>Peak Gain (dBi)</b>	~2.5	~2.6
<b>Average Gain (dB)</b>	~-1.8	~-1.8
<b>Impedance (Ohms)</b>	50	
<b>Radiation Pattern</b>	Hemispherical	
<b>Polarization</b>	RHCP	
<b>Connector Type</b>	SMA-Male Standard (Other Connectors Available)	
<b>Cable Length</b>	300 cm Standard (Any Cable Length Available)	
<b>Cable Type</b>	LL100	

### Antenna Measurement Conditions:

Mounted on Metal Plate of 30 x 30 cm

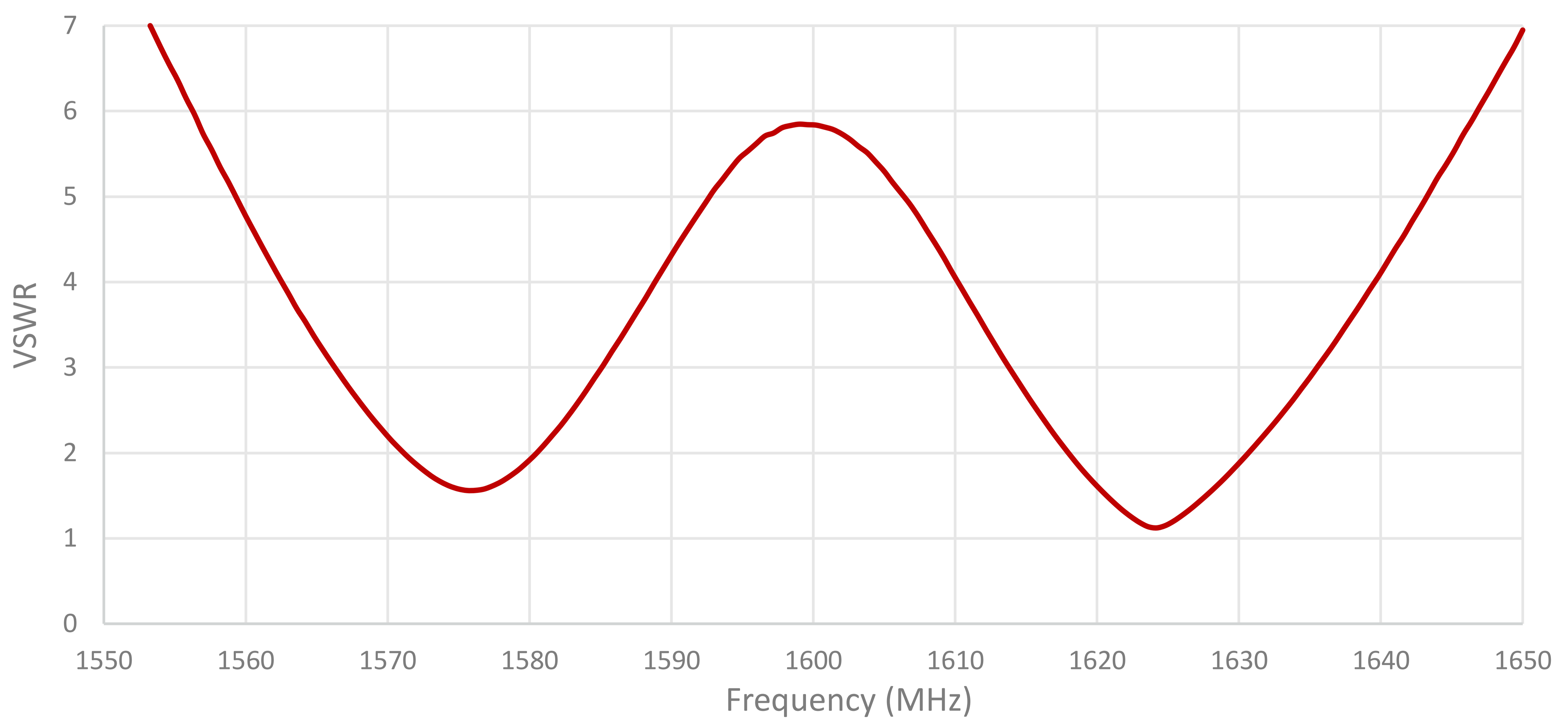
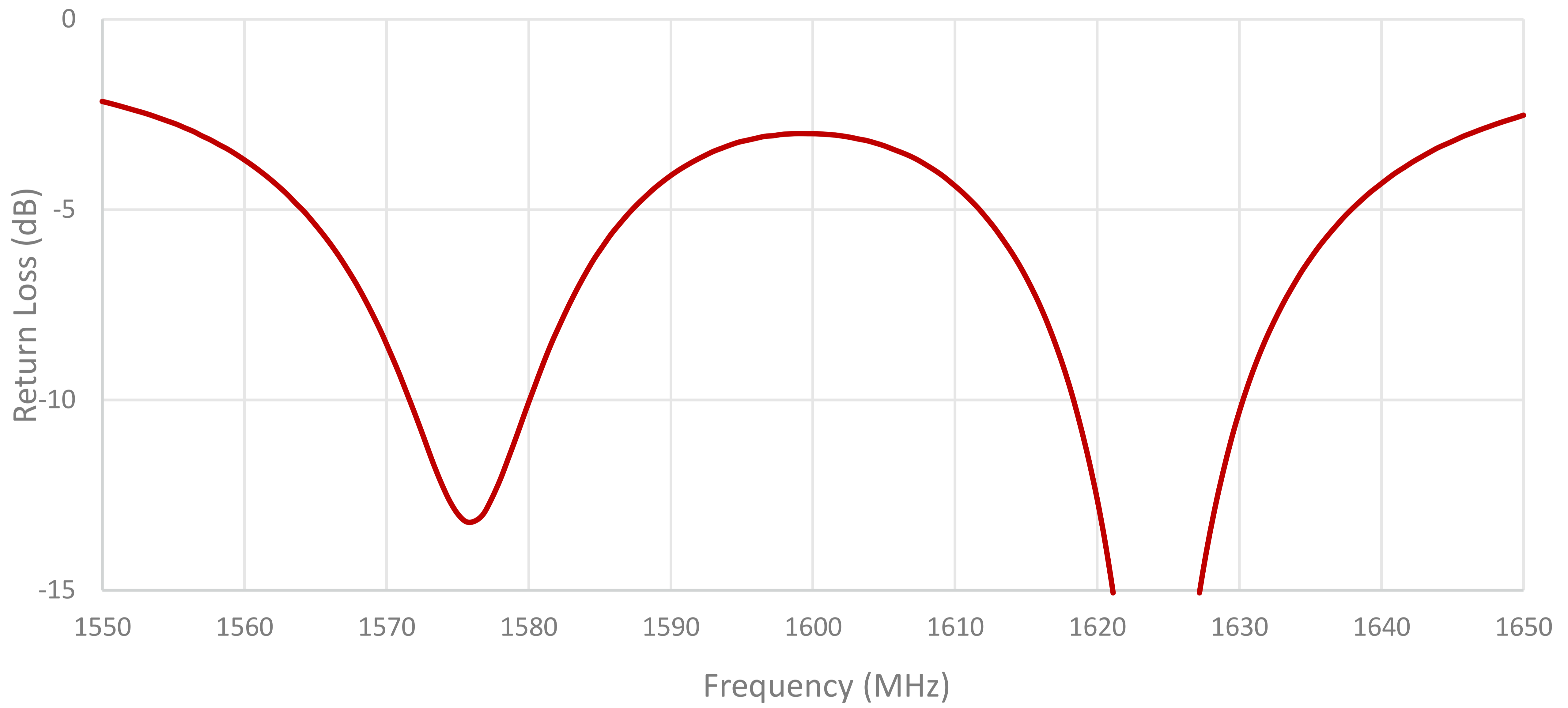
Measured in Certified CTIA 3D Anechoic Chamber

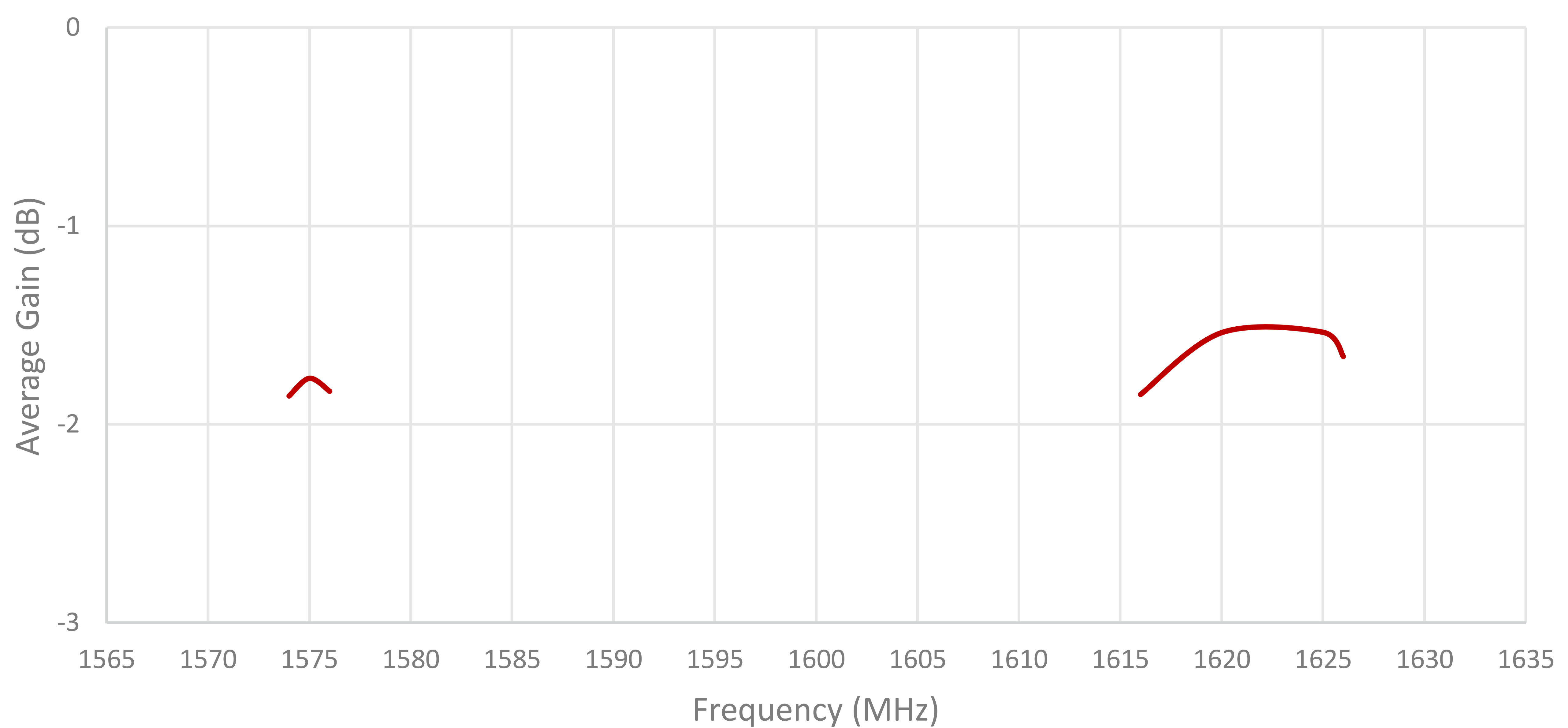
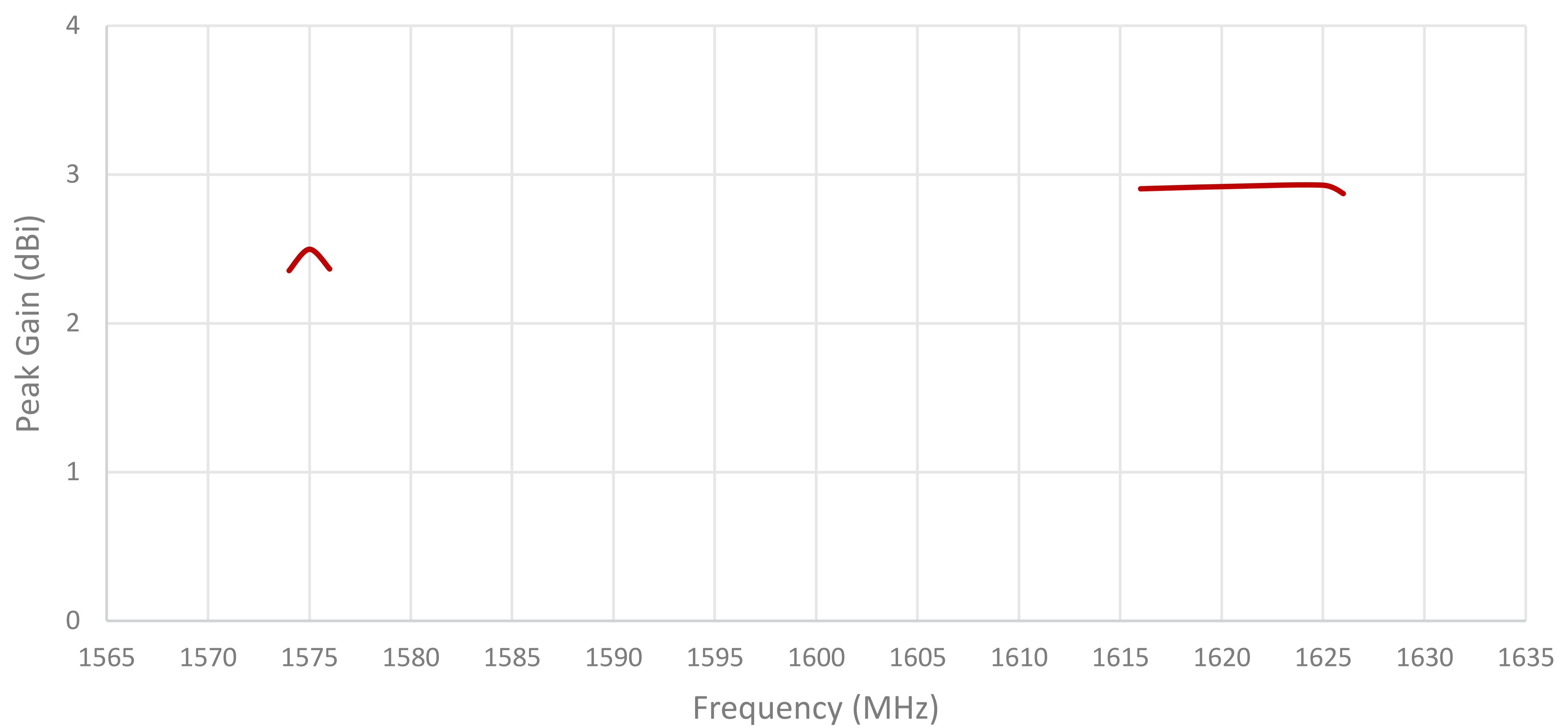
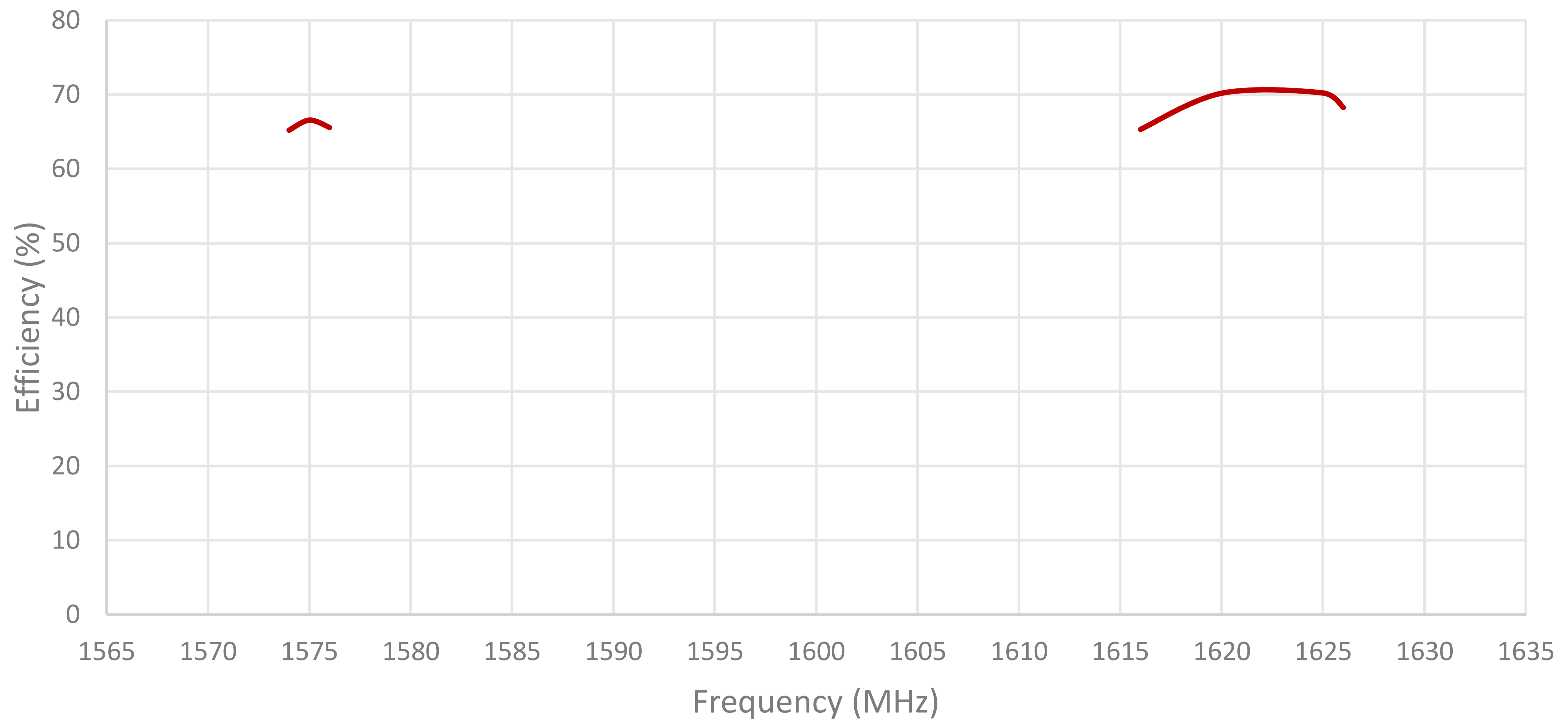
## 2. Mechanical and environmental specifications

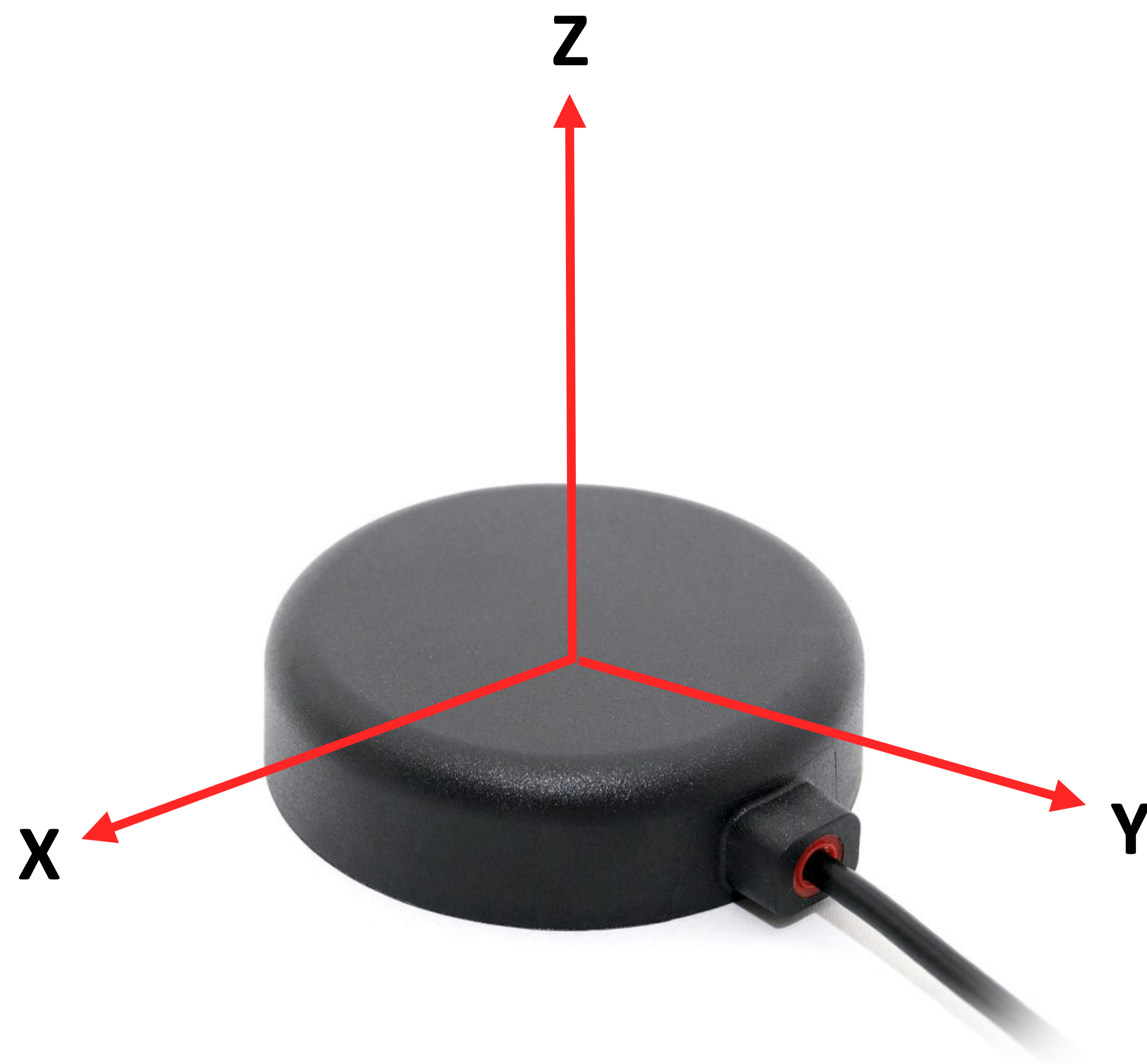
Specifications	2J7434MPz
<b>Mounting Type</b>	Magnetic/Adhesive Mount
<b>Dimensions (mm)</b>	Ø 54 × 14.7
<b>Random Type</b>	PC+ASA
<b>Random Color</b>	Black
<b>Operating Temperature (C)</b>	-40 to +85
<b>Storage Temperature (C)</b>	-40 to +85
<b>Certificates</b>	IP67, IP69, IRIDIUM Certified
<b>Substance Compliance</b>	RoHS

### 3. Antenna parameters

Cable 1: IRIDIUM/GPS

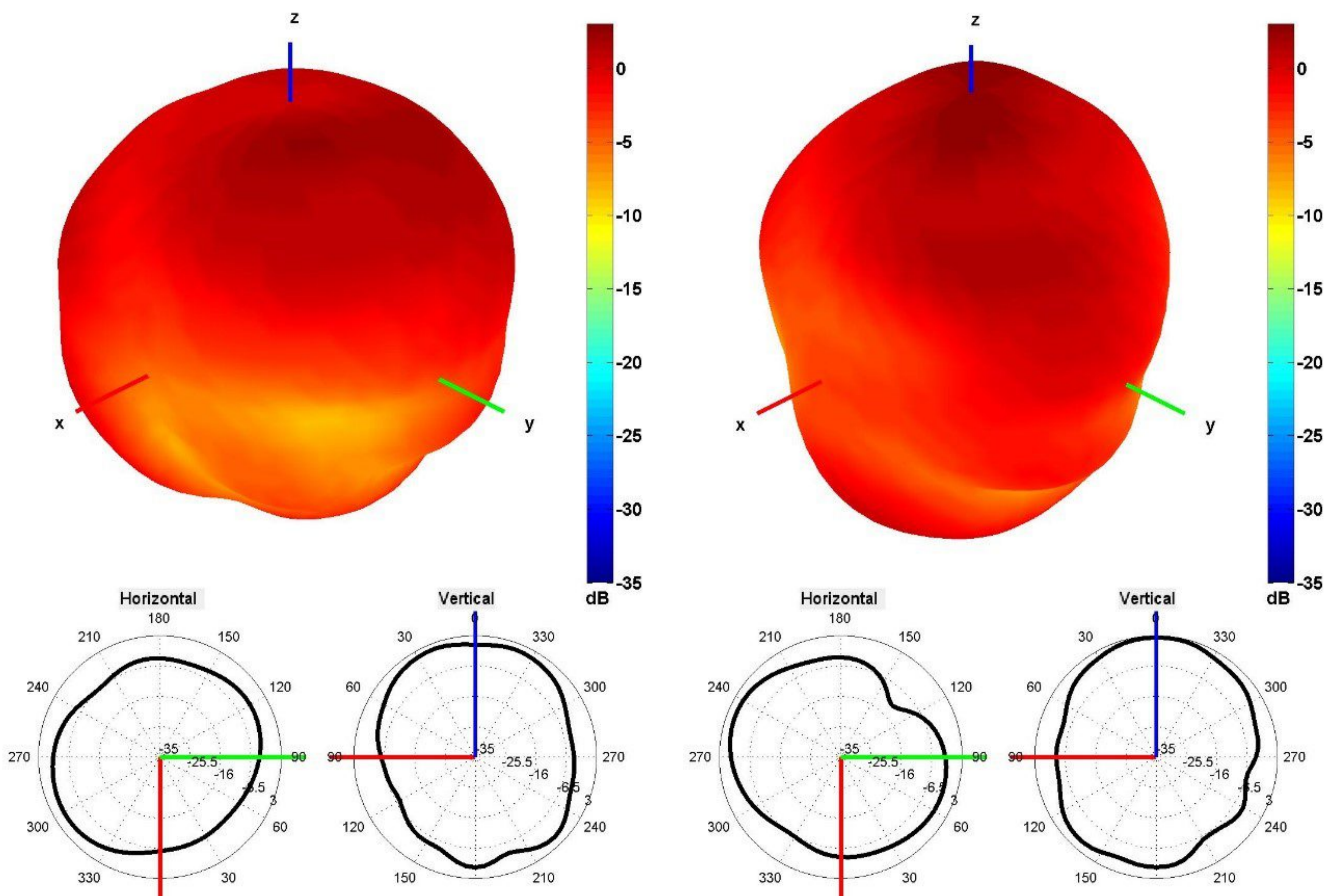






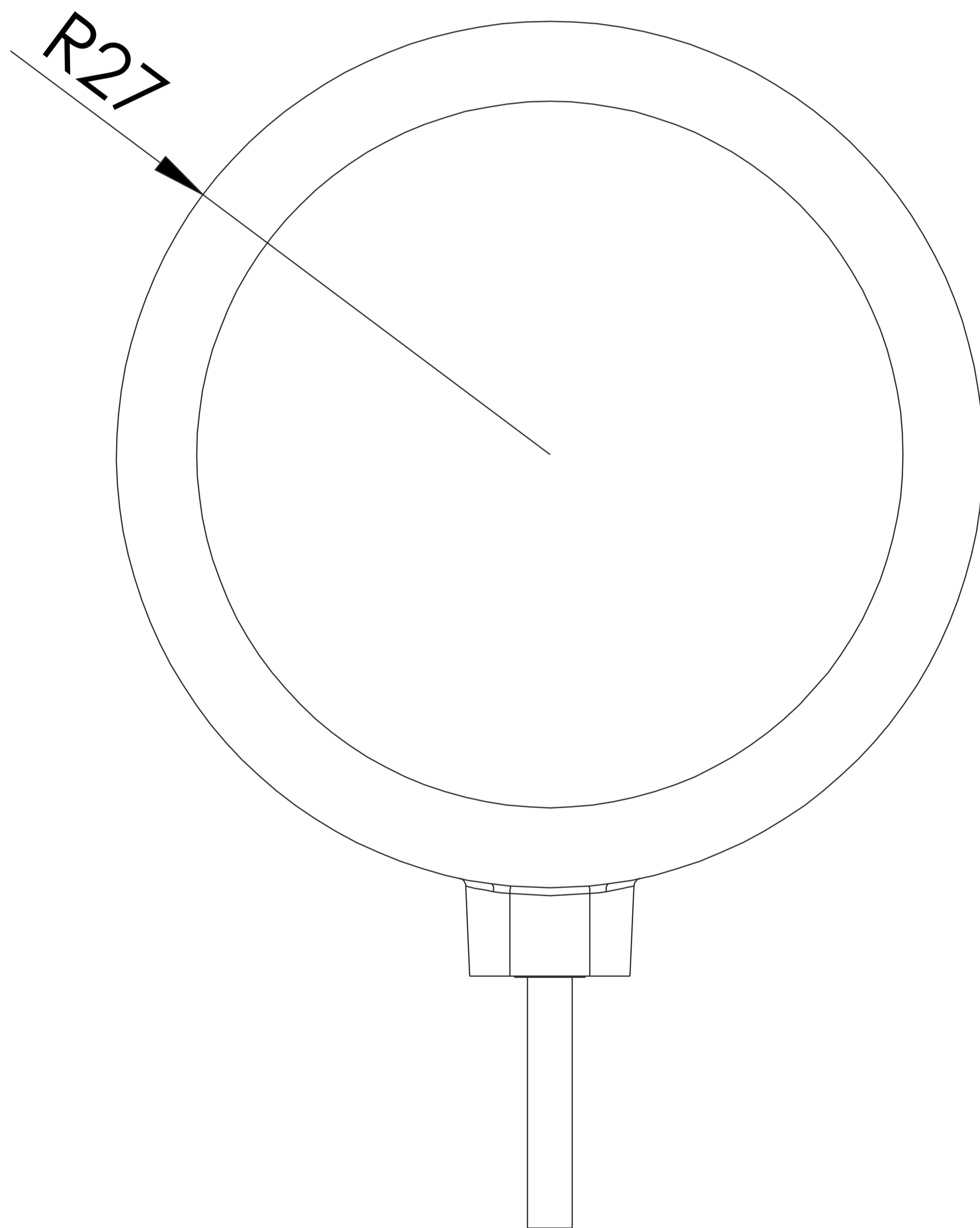
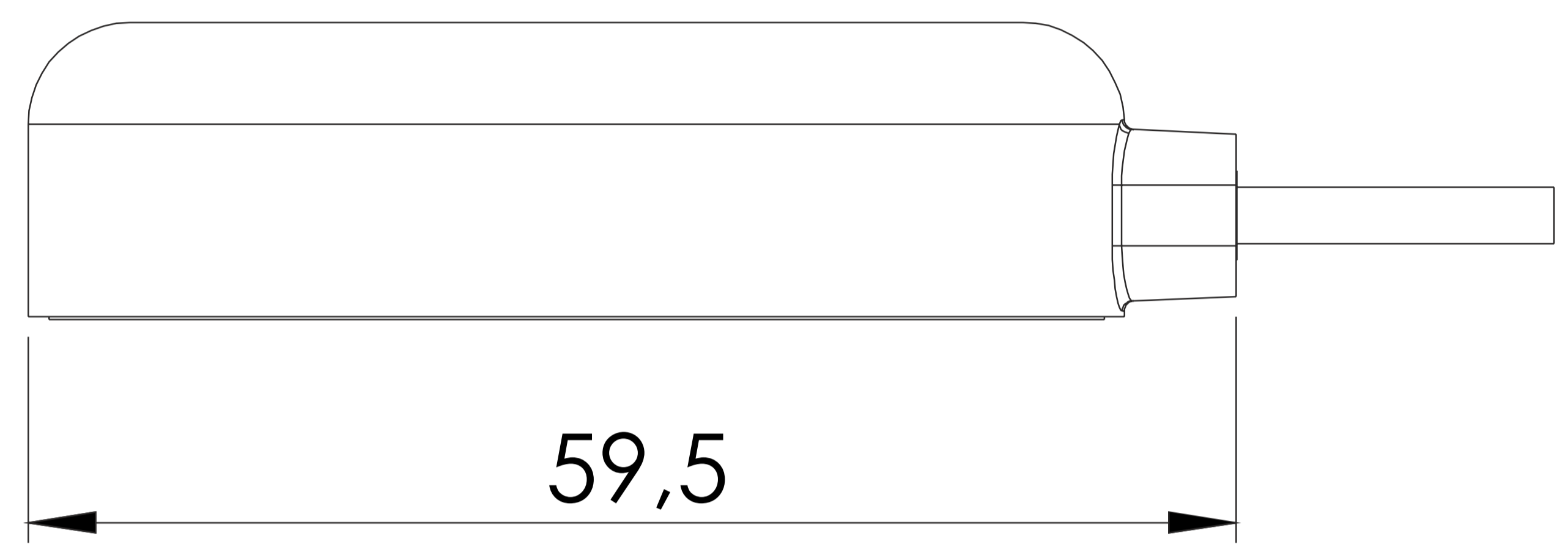
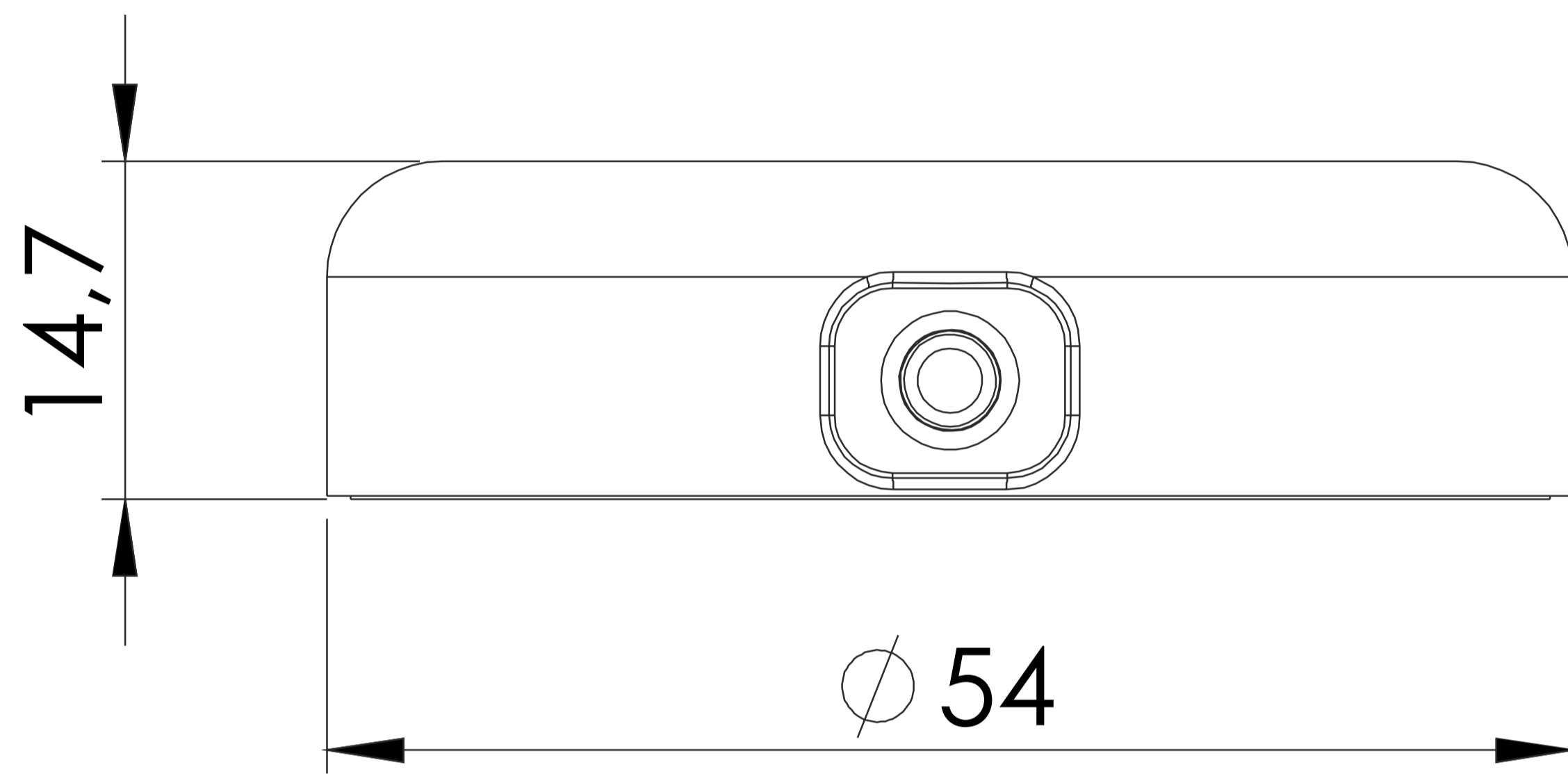
Radiation pattern reference

Cable 1: IRIDIUM/GPS



1575 and 1621 MHz Radiation pattern

## 4. Antenna drawings



## 5. Antenna Images



 **iridium**<sup>®</sup>  
Certified

