

2J7426MPz

IRIDIUM Magnetic/Adhesive Mount

Key Features

IRIDIUM

- 1616-1627 MHz

Magnetic/Adhesive Mount

Iridium Certified

Low Profile

Single Feed Technology

Ground Plane Dependent

Customizable Cable and Connector

Dimensions $\varnothing 54 \times 14.7$ mm

Certificates: IP67, IP69



1. Antenna and electrical specifications

| Parameters | IRIDIUM Antenna |
|--------------------------|--|
| Standards | Iridium |
| Bands (MHz) | 1621 |
| Frequency (MHz) | 1616-1627 |
| Return Loss (dB) | ~-28.0 |
| VSWR | ~1.1:1 |
| Efficiency (%) | ~82.3 |
| Peak Gain (dBi) | ~5.1 |
| Average Gain (dB) | ~-0.8 |
| Impedance (Ohm) | 50 |
| Radiation Pattern | Hemispherical |
| Polarization | RHCP |
| Connector Type | SMA-Male Standard (Other Connectors Available) |
| Cable Length (m) | 300cm Standard (Any Cable Length Available) |
| Cable Type | LL100 |

Antenna Measurement Conditions:

Mounted on Metal Plate of 30 x 30 cm

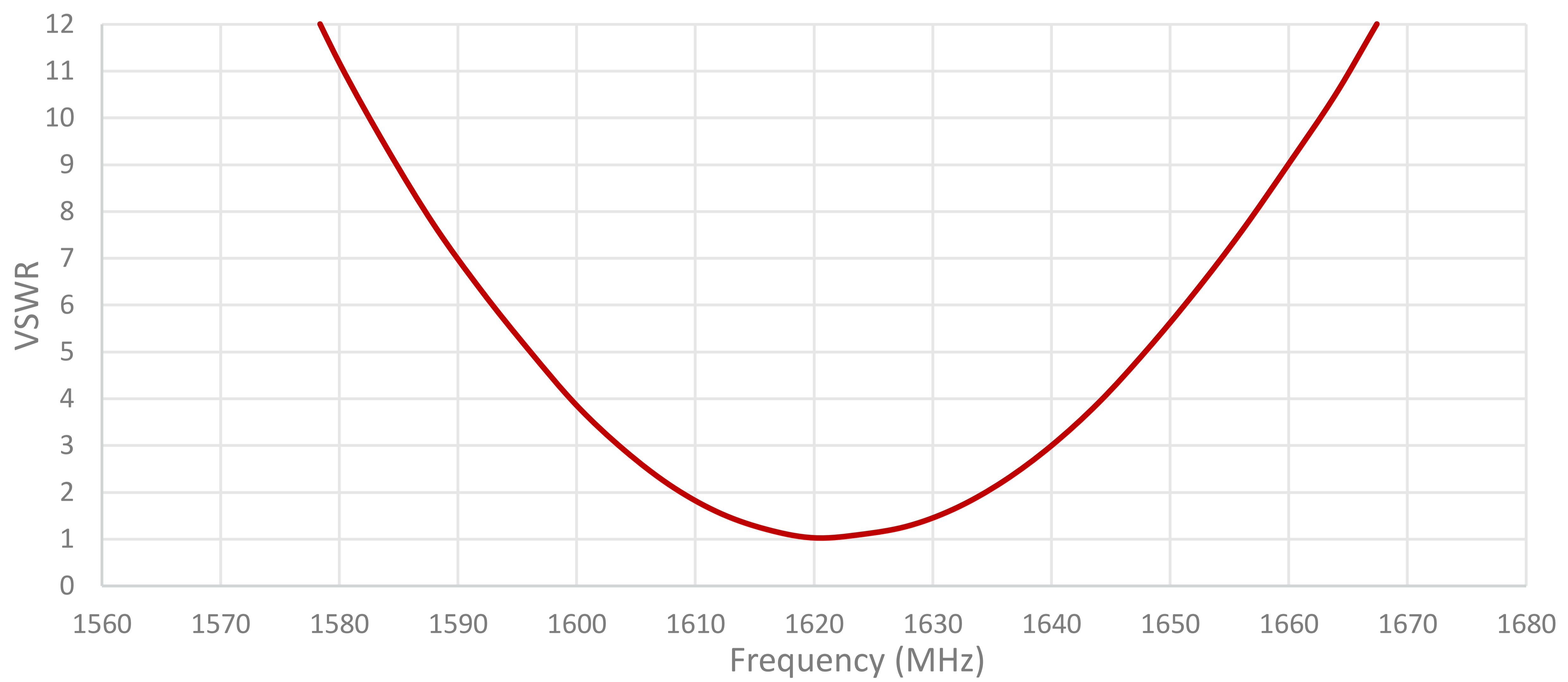
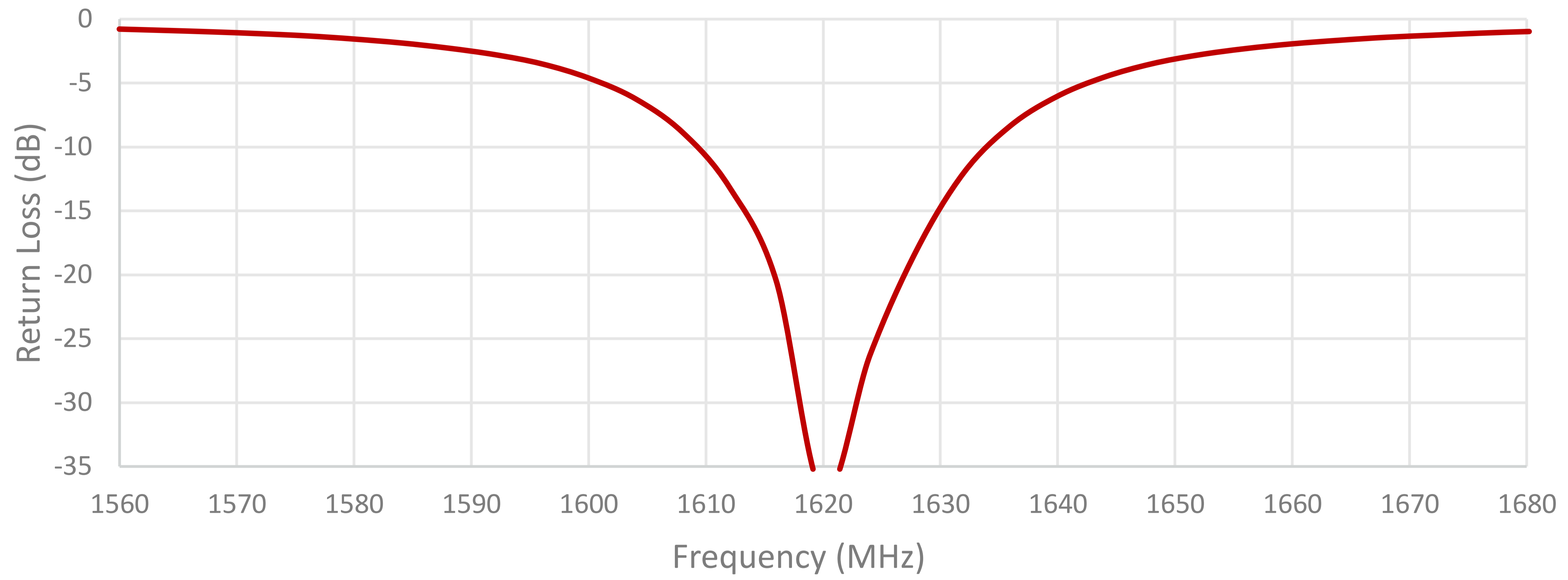
Measured in Certified CTIA 3D Anechoic Chamber

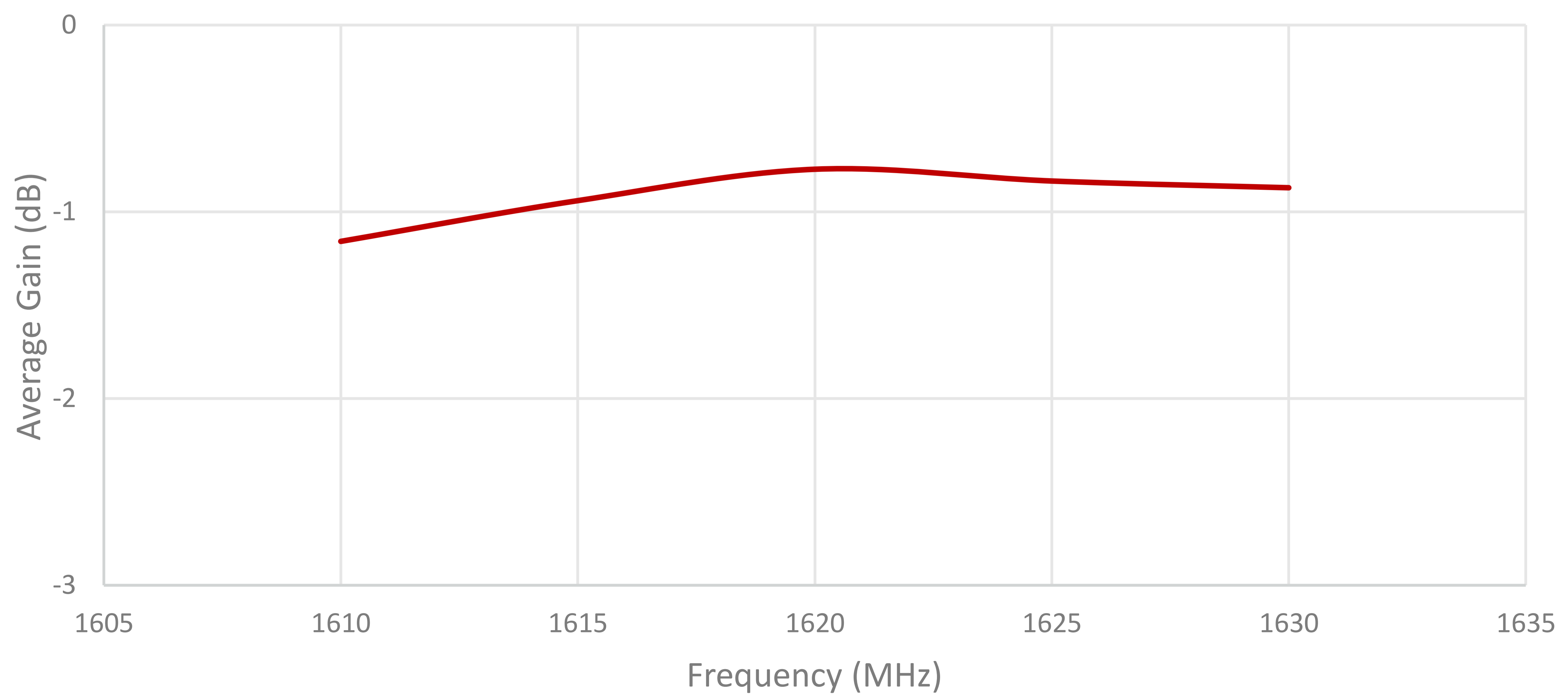
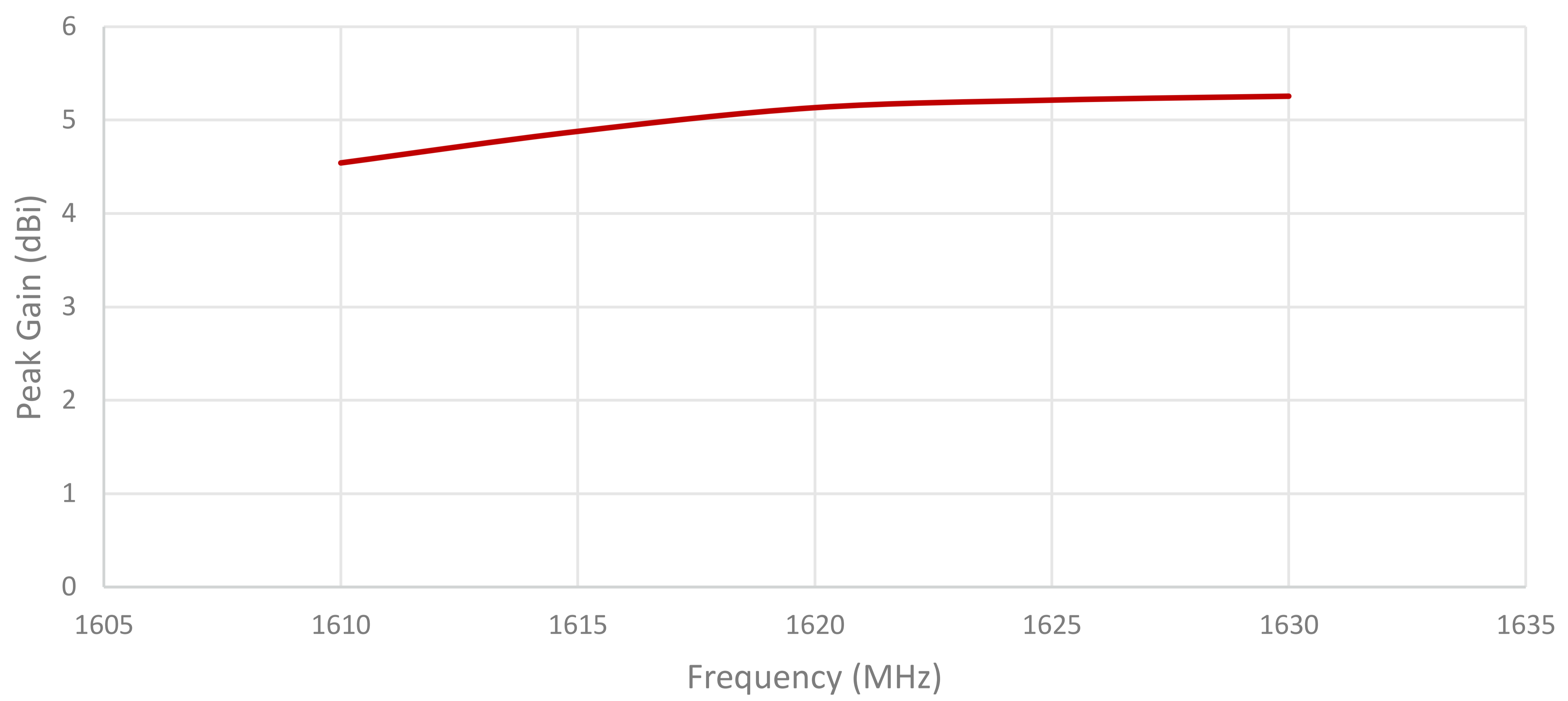
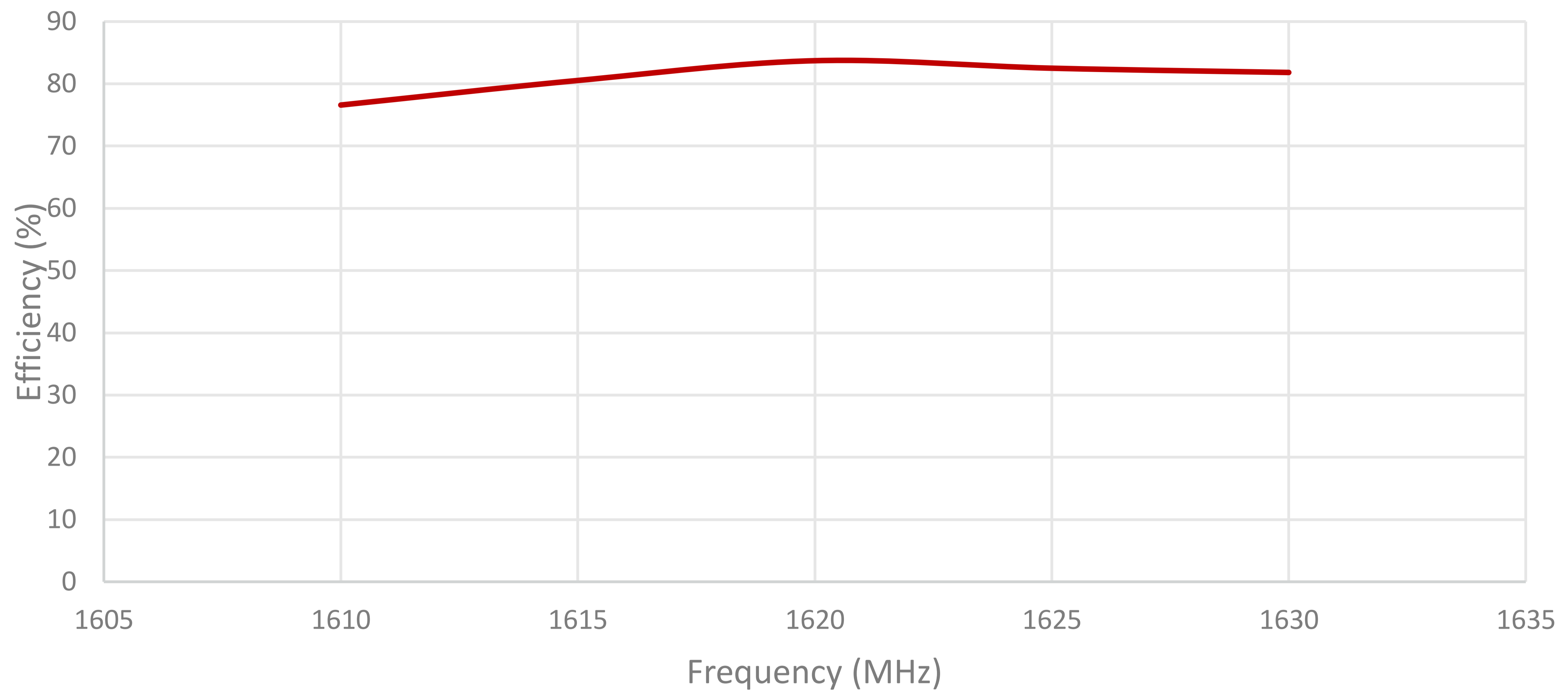
2. Mechanical and environmental specifications

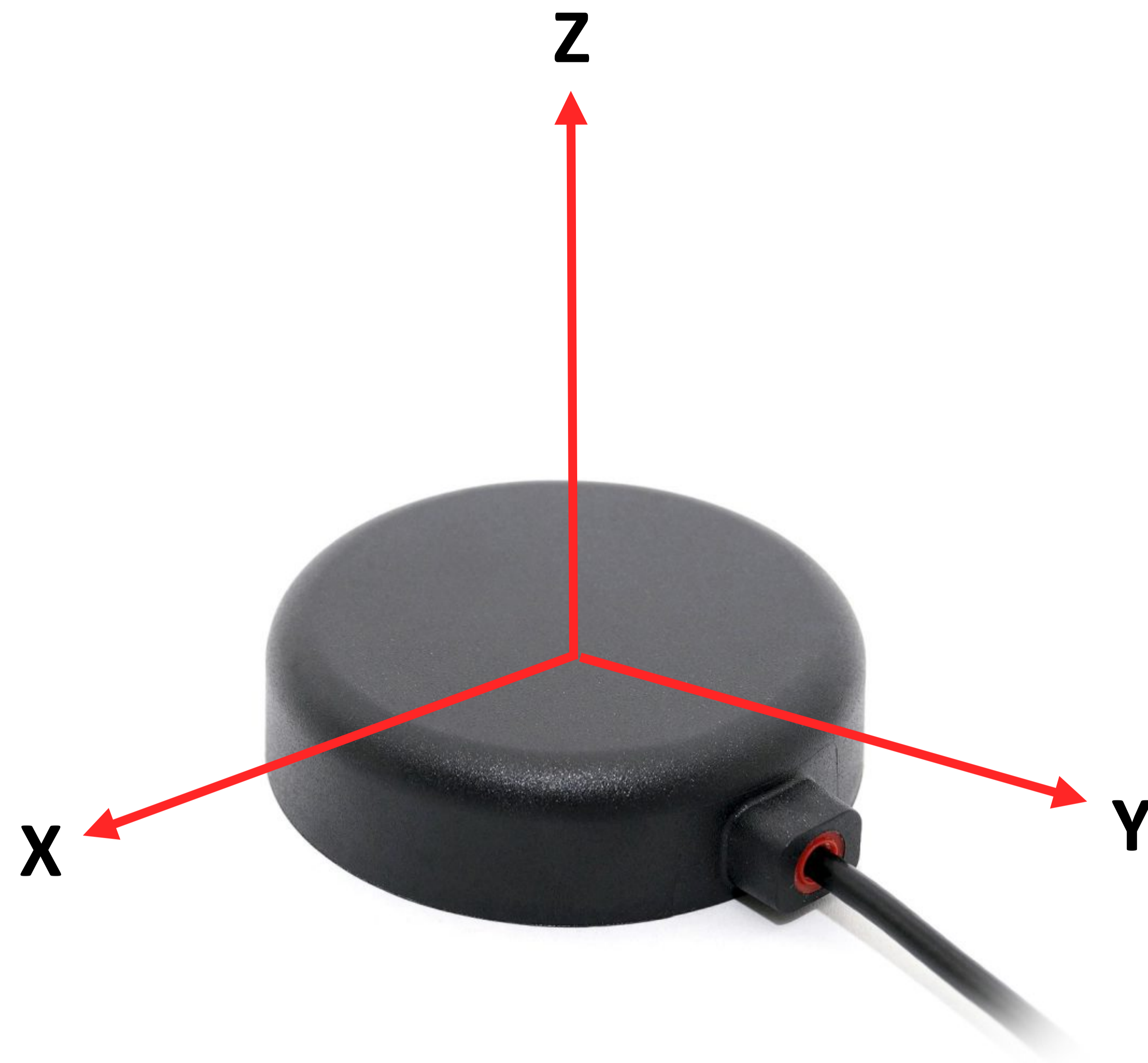
| Specifications | 2J7426MPz |
|----------------------------------|-------------------------------|
| Mounting Type | Magnetic/Adhesive Mount |
| Dimensions (mm) | Ø 54 × 14.7 |
| Random Type | PC+ASA |
| Random Color | Black |
| Operating Temperature (C) | -40 to +85 |
| Storage Temperature (C) | -40 to +85 |
| Certificates | IP67, IP69, IRIDIUM Certified |
| Substance Compliance | RoHS |

3. Antenna parameters

Cable 1:

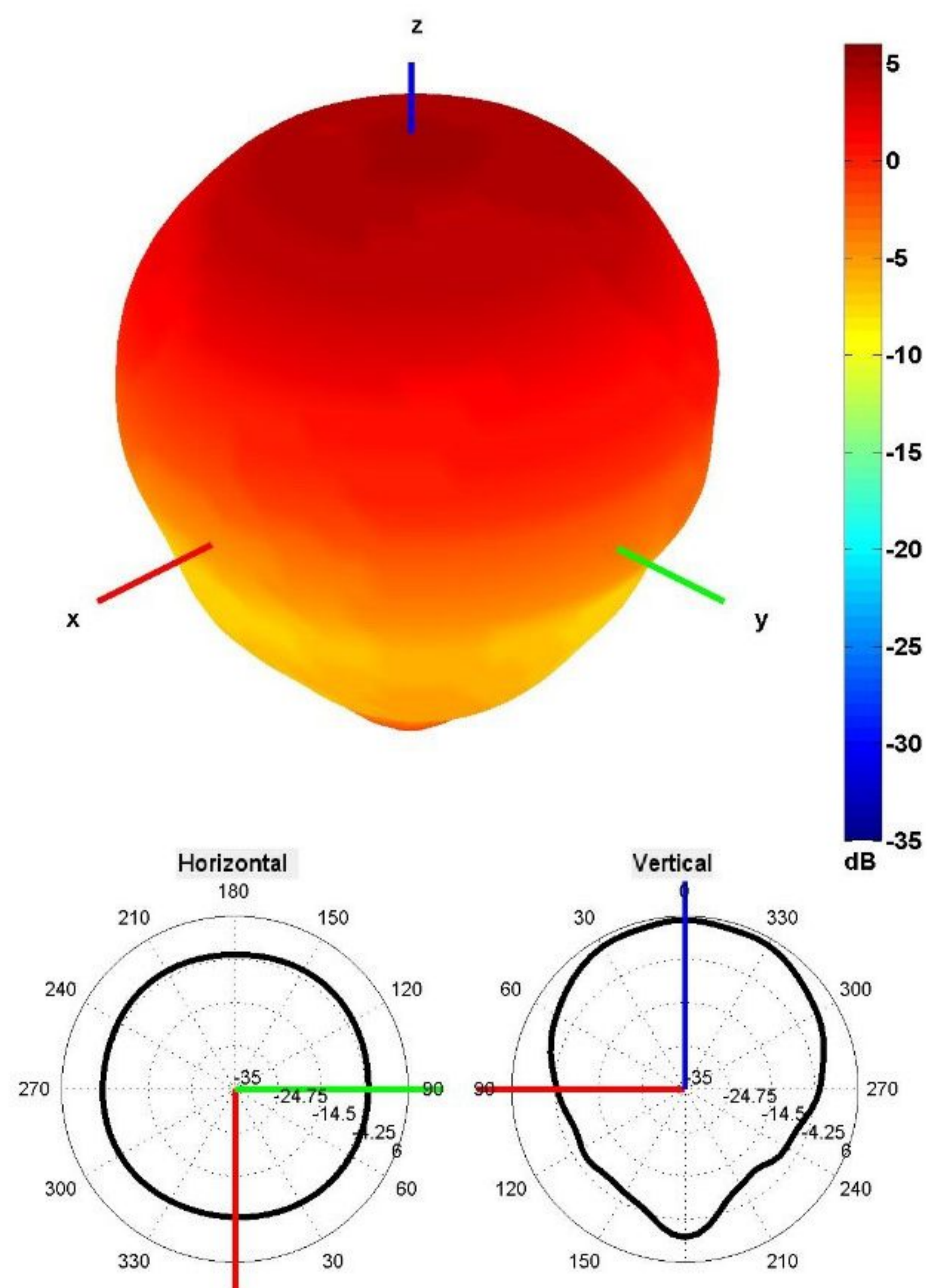






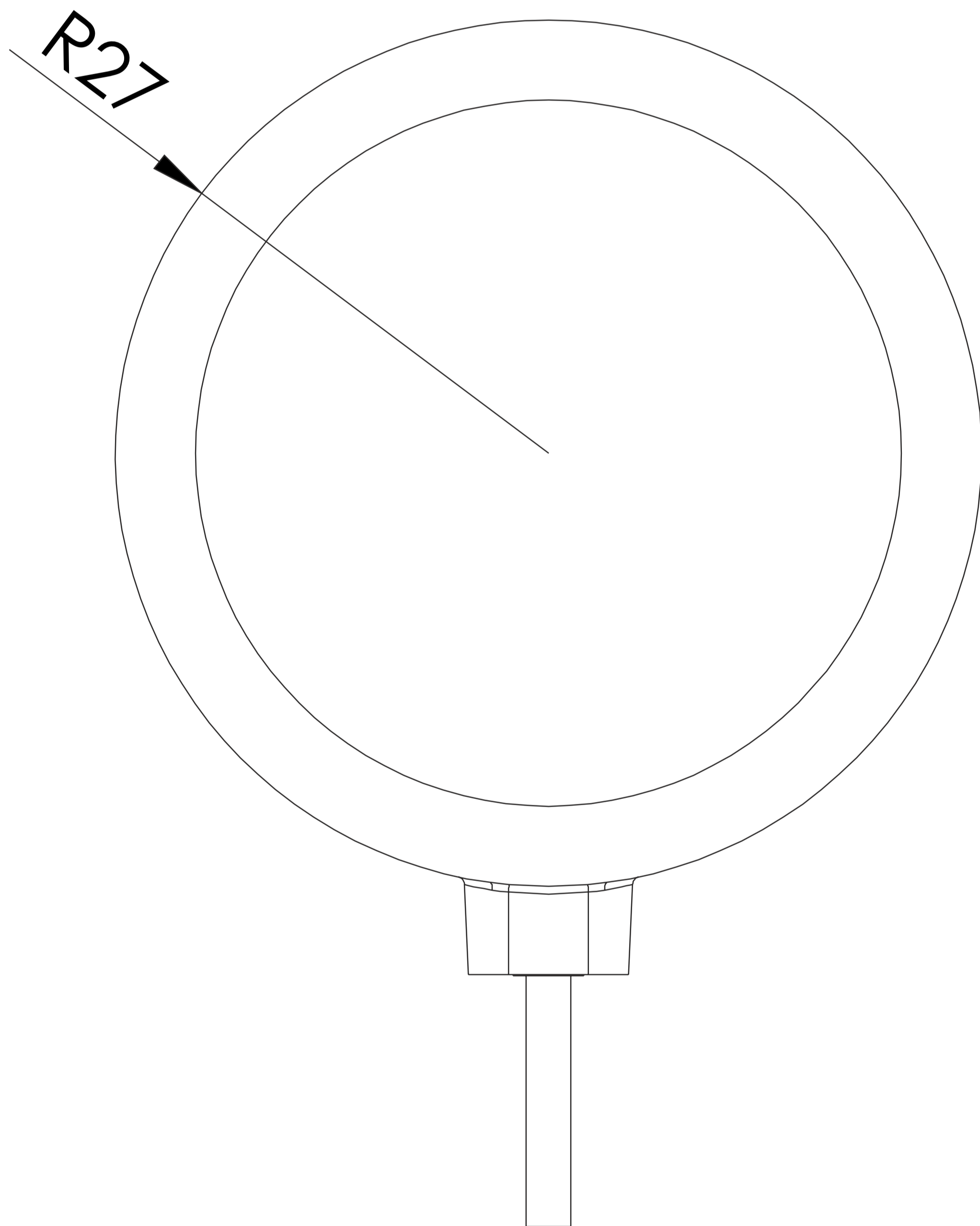
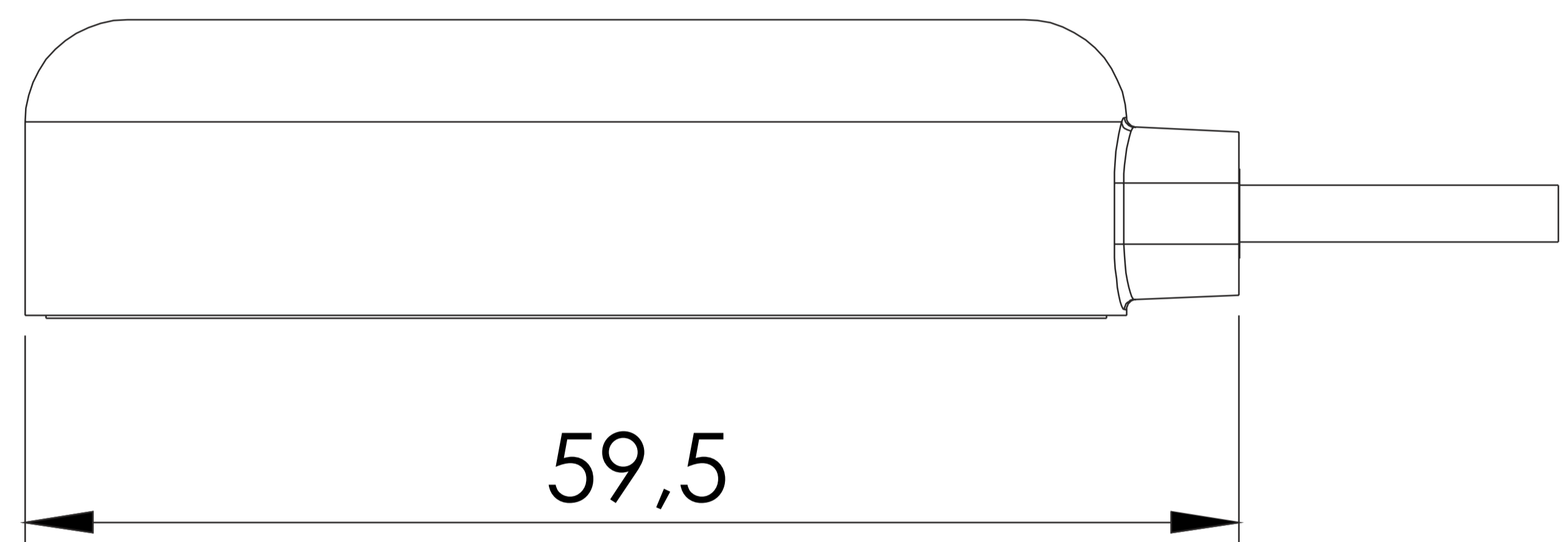
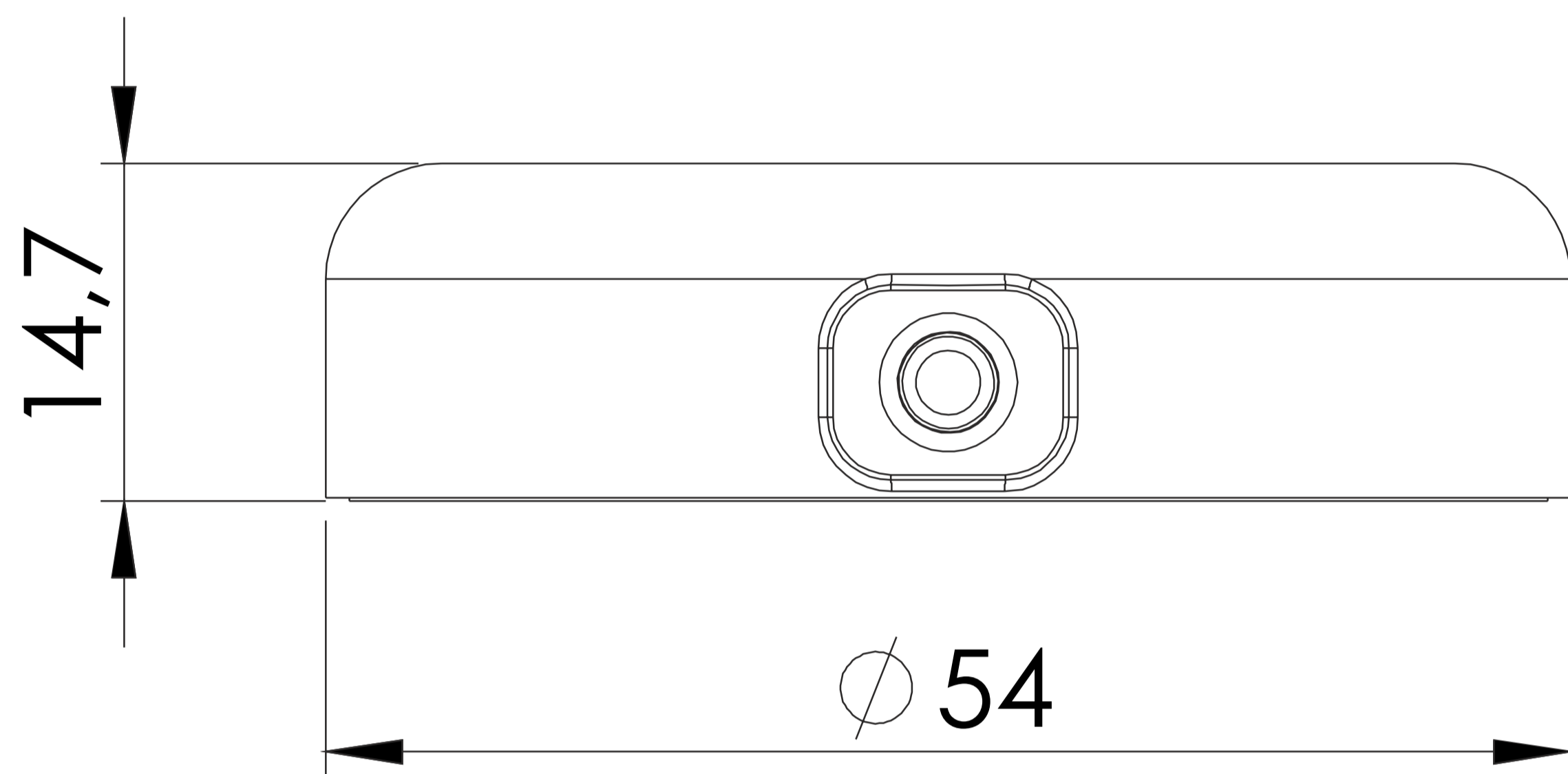
Radiation pattern reference

Cable 1: IRIDIUM



1621 MHz Radiation pattern

4. Antenna drawings



5. Antenna Images



 **iridium**[®]
Certified

