

2J6A41BF

CELLULAR / LTE and GPS Screw Mount

Key Features

Cable 1: CELLULAR / LTE

- 698-960 MHz
- 1710-2170 MHz
- 2500-2700 MHz

Cable 2: GPS/QZSS/Galileo

- 1575 MHz

Screw Mount

Anti-Rotation Mechanism

Ground Plane Dependent

Customizable Cable and Connector

IP67, IK09, IP69K

Dimensions Ø 77.3 x 65.5 mm



1. Antenna and electrical specifications

Cable 1

Parameters	CELLULAR / LTE Antenna		
Standards	2G,3G and 4G		
Band (MHz)	700/850/900	1700/1800/1900/2100	2600
Frequency (MHz)	698-960	1710-2170	2500-2700
Return Loss (dB)	~-8.5	~-13.9	~-7.7
VSWR	~2.2:1	~1.5:1	~2.4:1
Efficiency (%)	~56	~51	~39
Peak Gain (dBi)	~2	~4	~3.5
Average Gain (dB)	~-2.6	~-2.9	~-4.2
Impedance (Ohm)	50		
Polarisation	Linear		
Radiation Pattern	Omni-Directional		
Max. Input Power (W)	25		
Connector Type	Most RF Connectors (SMA-Male Standard)		
Cable Length	Any Cable Length (300 cm Standard)		
Cable Type	Other Cables Available (DACAR 302 Standard)		

Cable 2

Parameters	GPS Antenna
Standard	GPS/QZSS/Galileo
Band (MHz)	1575
Frequency (MHz)	1575.42
Patch Size (mm)	25 x 25 x 4
Return Loss (dB)	<=-15.0 dB
VSWR	<=1.5:1 dB
Impedance	50
Radiation Pattern	Hemispherical
Polarization	RHCP
Saw Filter	Pre-filter
Active Gain (dB)	28 @ 2.7 V
Noise Figure (dB)	1.5 Typ
Voltage (V)	1.5 – 3.6
Current (mA)	9 Typ
Power Consumption (mW)	24.3 Typ
ESD Protection	2 kV
Connector Type	Most RF Connectors (SMA-Male Standard)
Cable Length	Any Cable Length (300 cm Standard)
Cable Type	Other Cables Available (LMR100 Standard)

Antenna Measurement Conditions:

Mounted on 30 x 30 cm Ground Plane

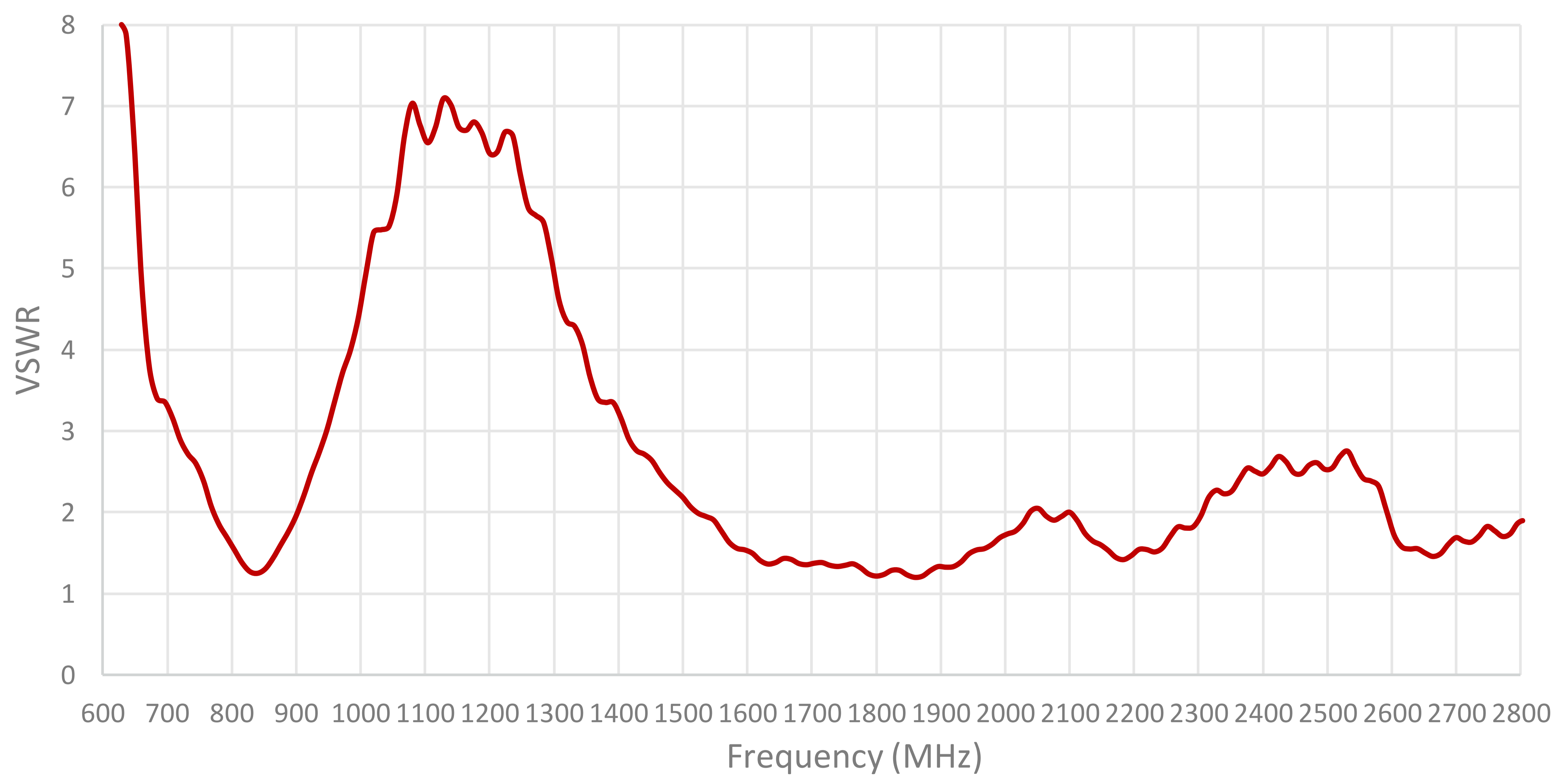
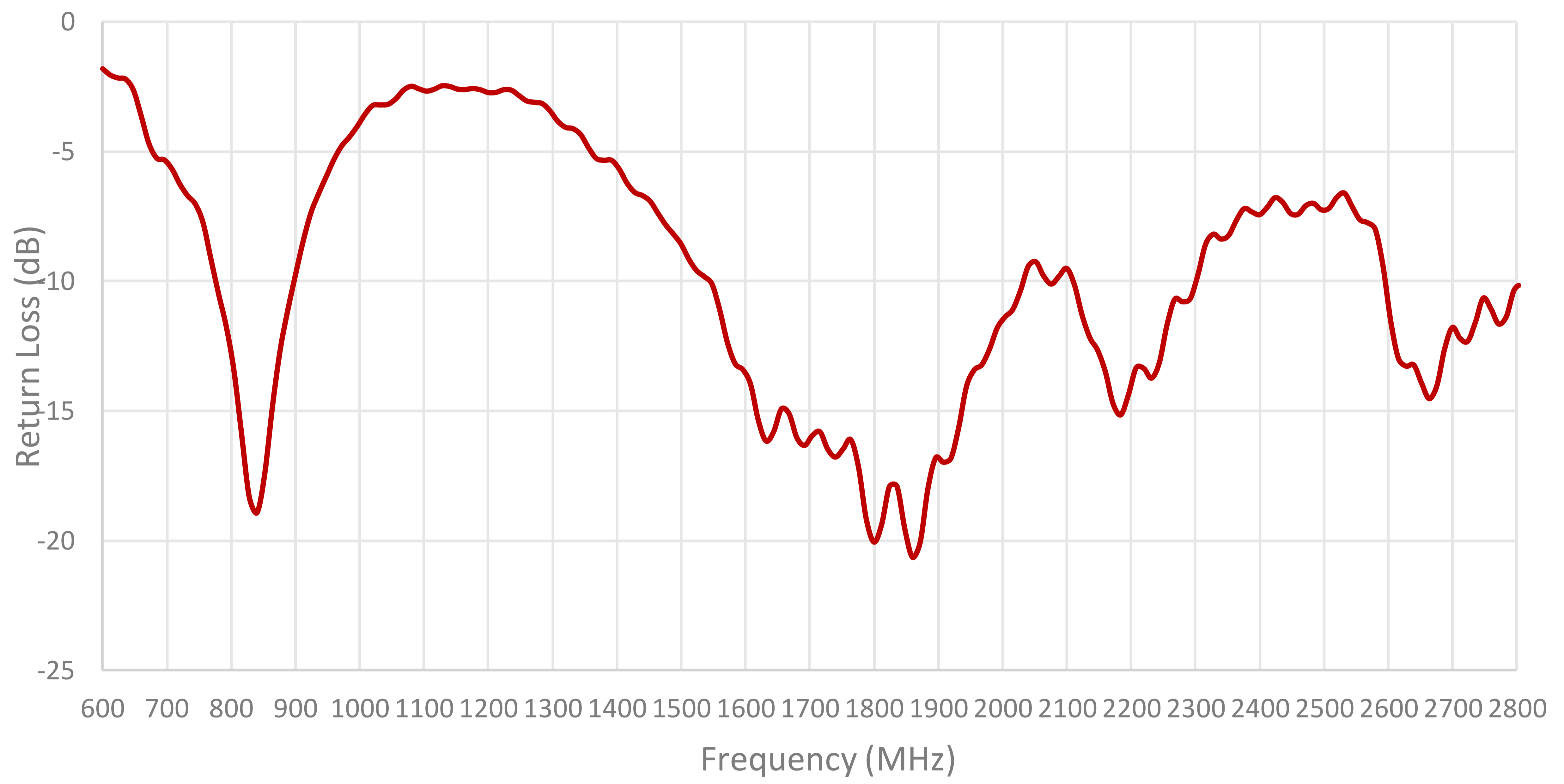
DACAR302 200 cm Cable Length

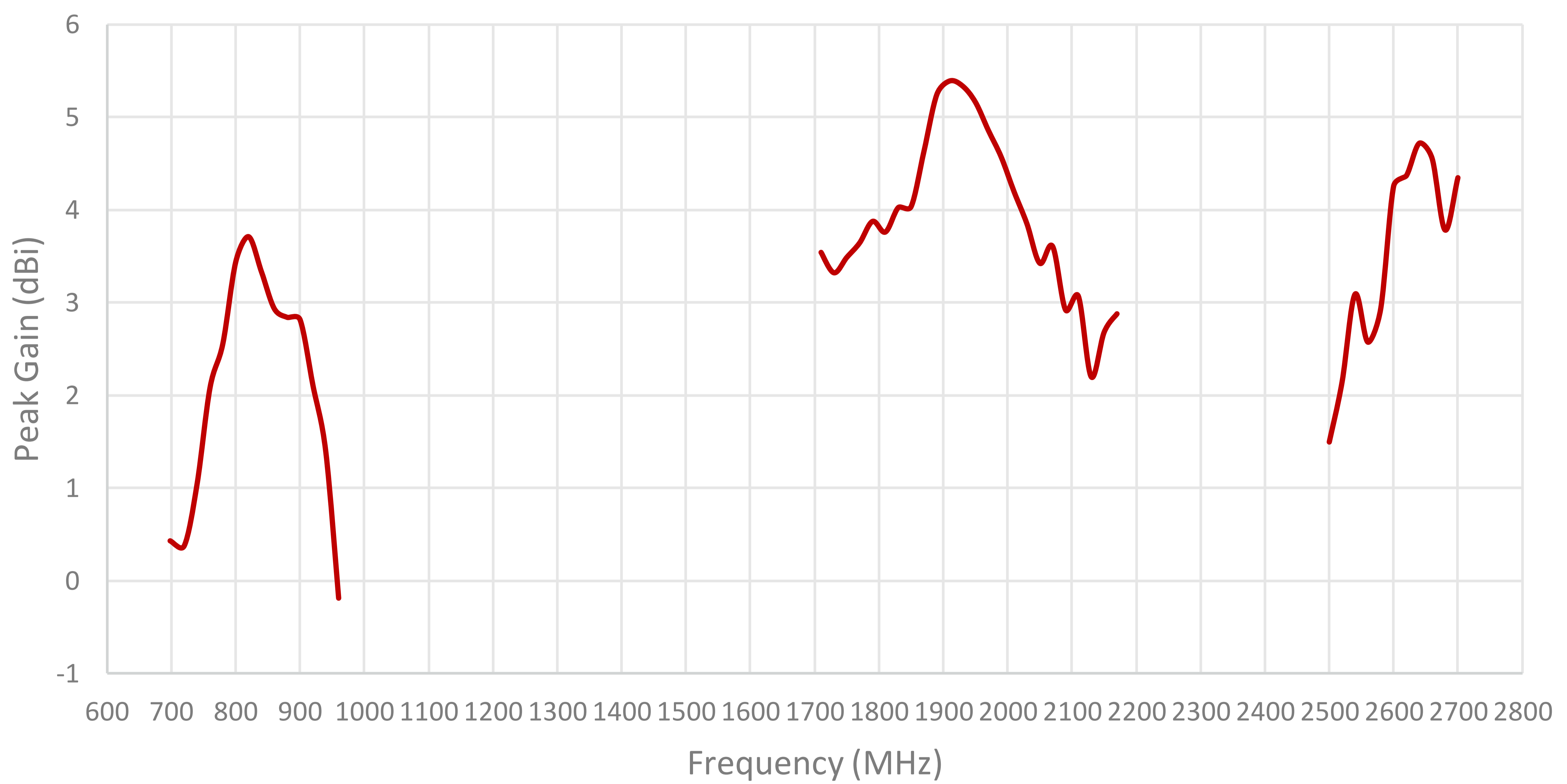
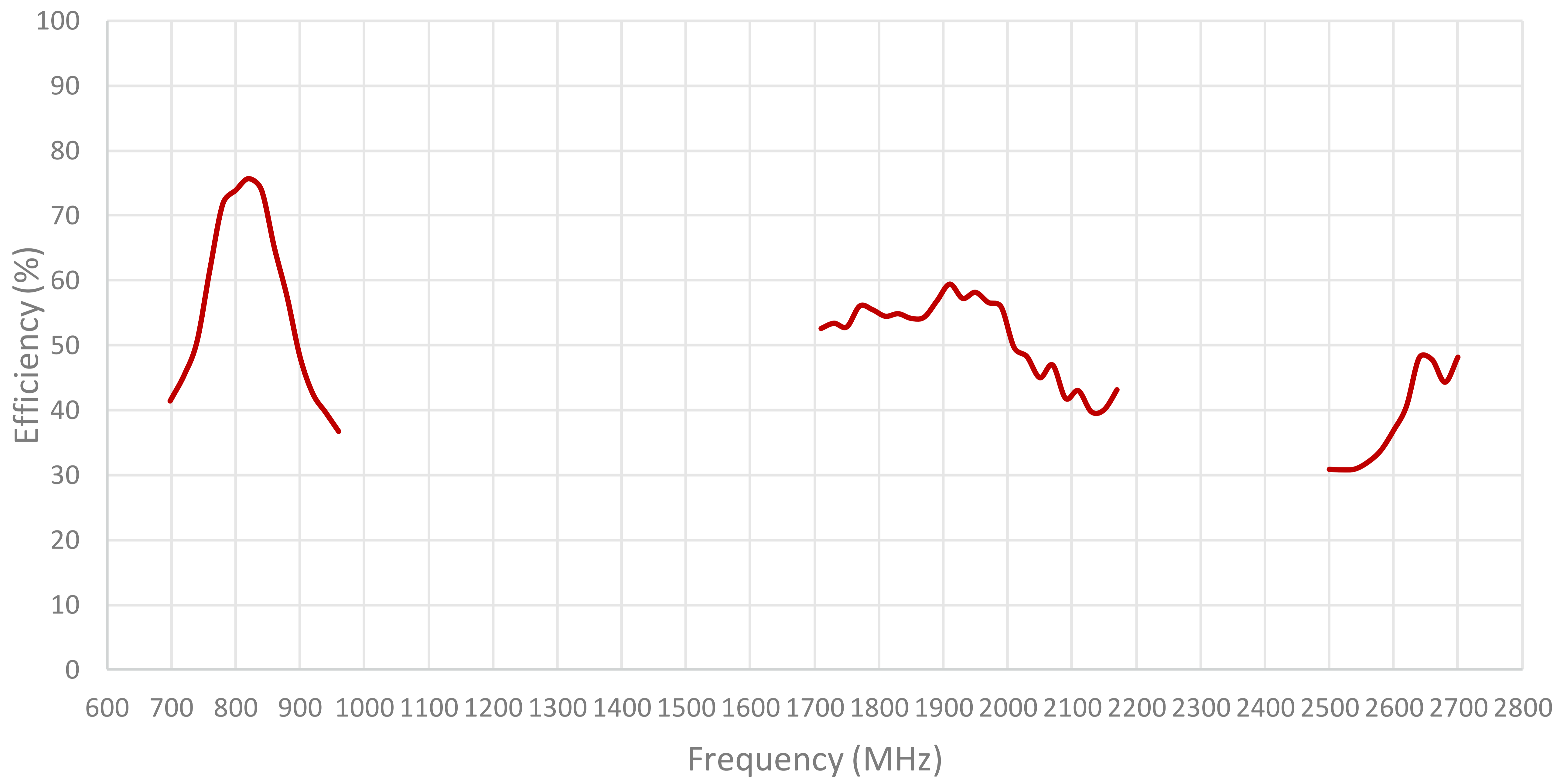
Measured in Certified CTIA 3D Anechoic Chamber

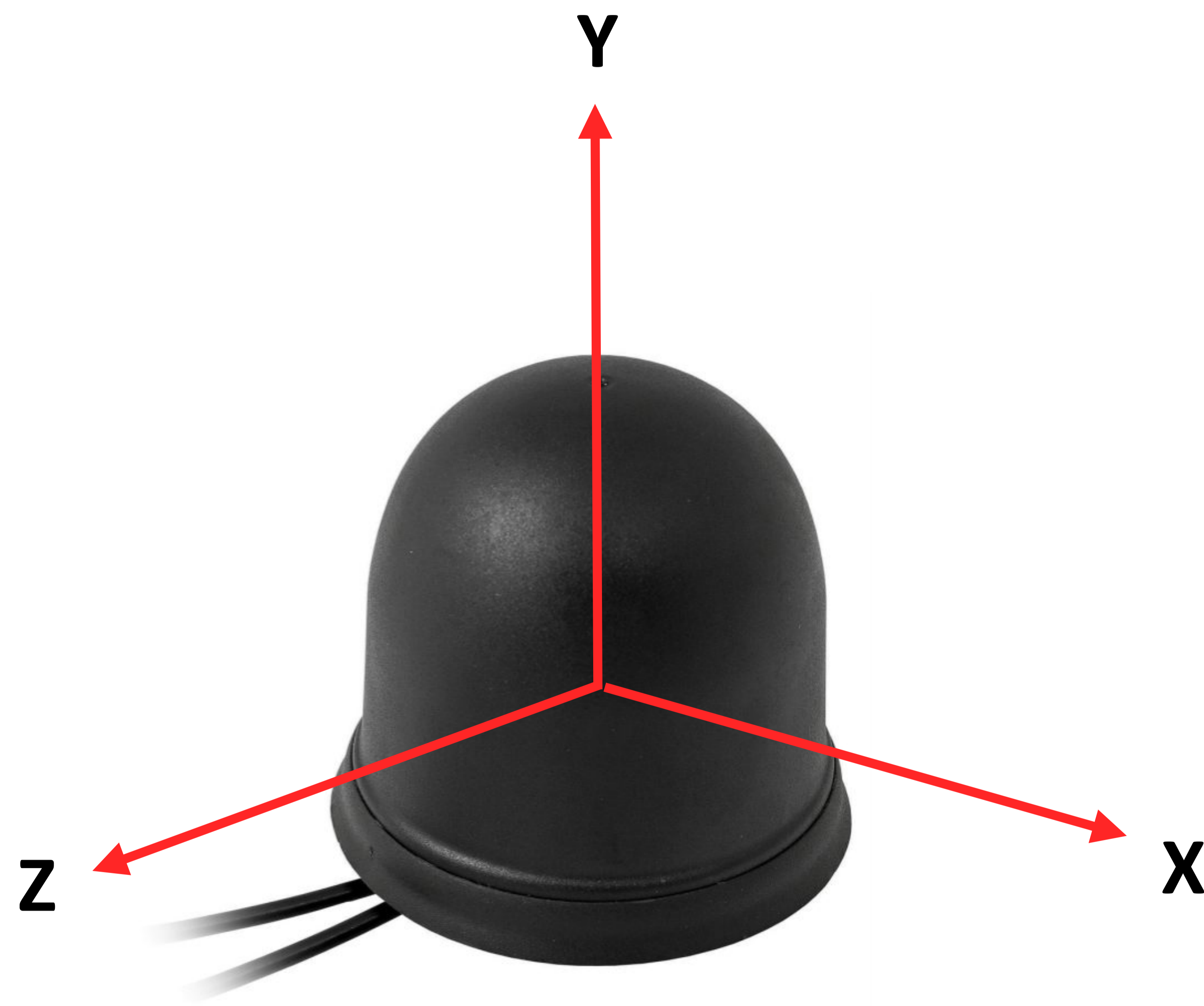
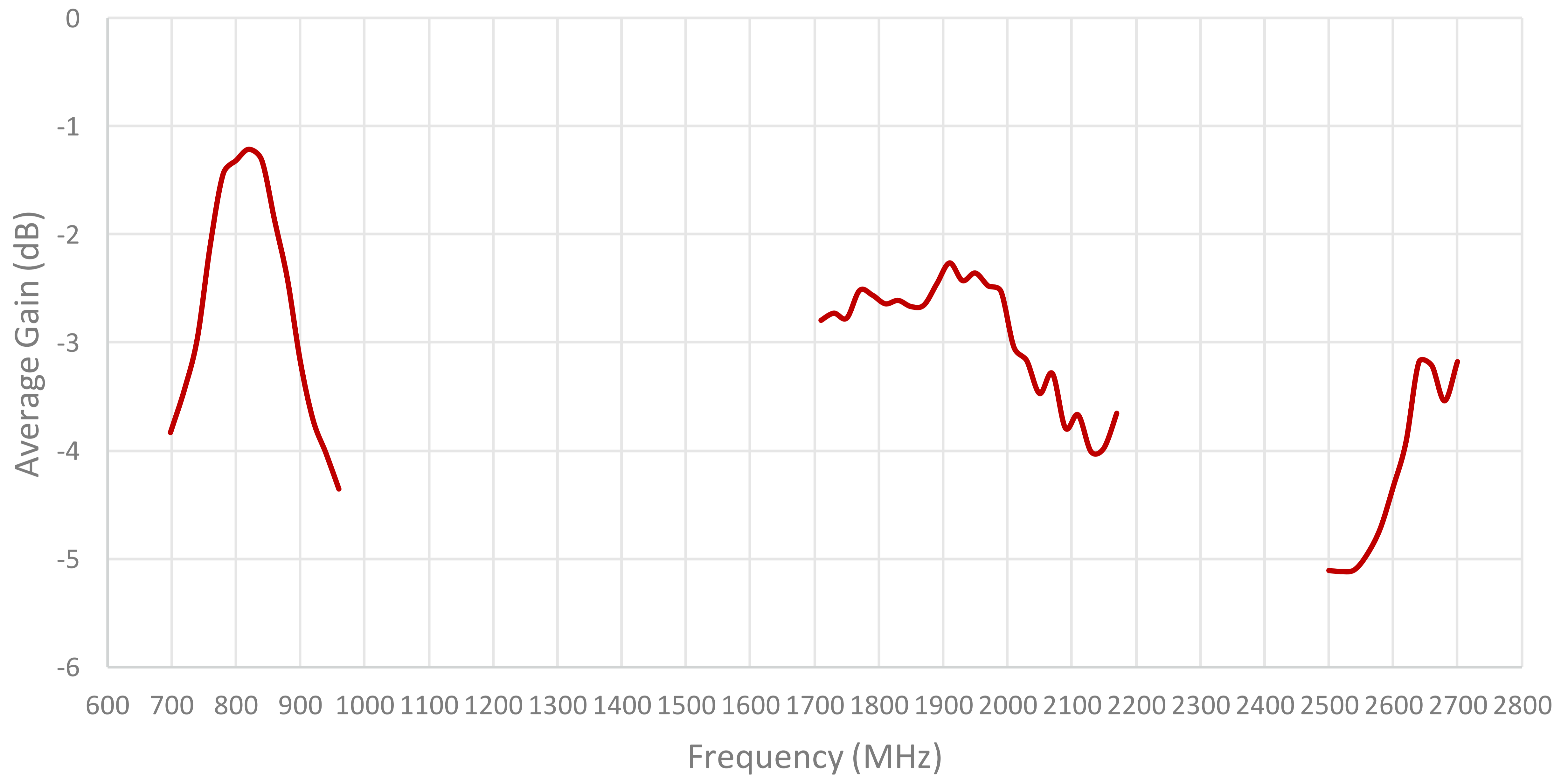
2. Mechanical and environmental specifications

Specifications	2J6A41BF
Mounting Type	Screw Mount
Dimensions (mm)	Ø 77.3 x 65.5
Max. Tighten Torque (Nm)	6 Nm
Radome	ASA
Radome color	Black
Antenna Base	Zamak
Gasket	TPE
Operating Temperature (C)	-40 to +85
Storage Temperature (C)	-40 to +85
Substance Compliance	RoHS
Certificates	IP67, IK09, IP69K

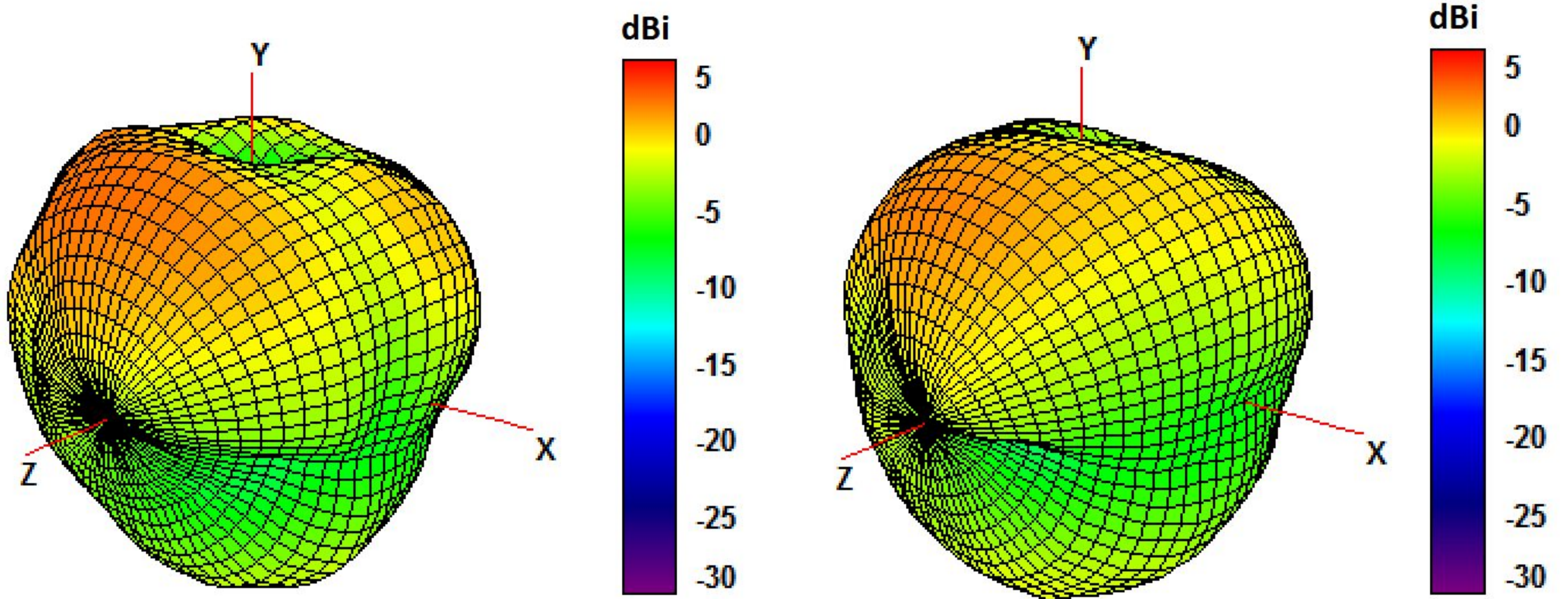
3. Antenna parameters



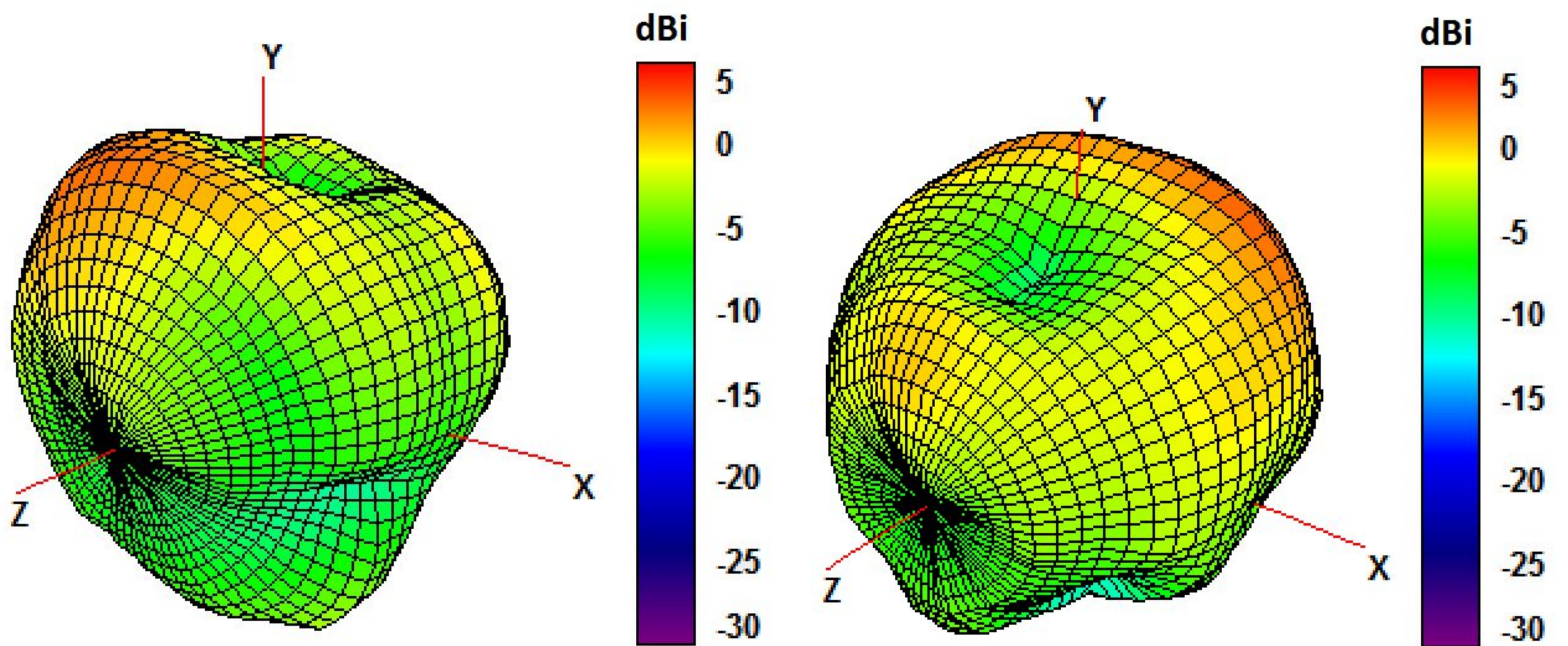




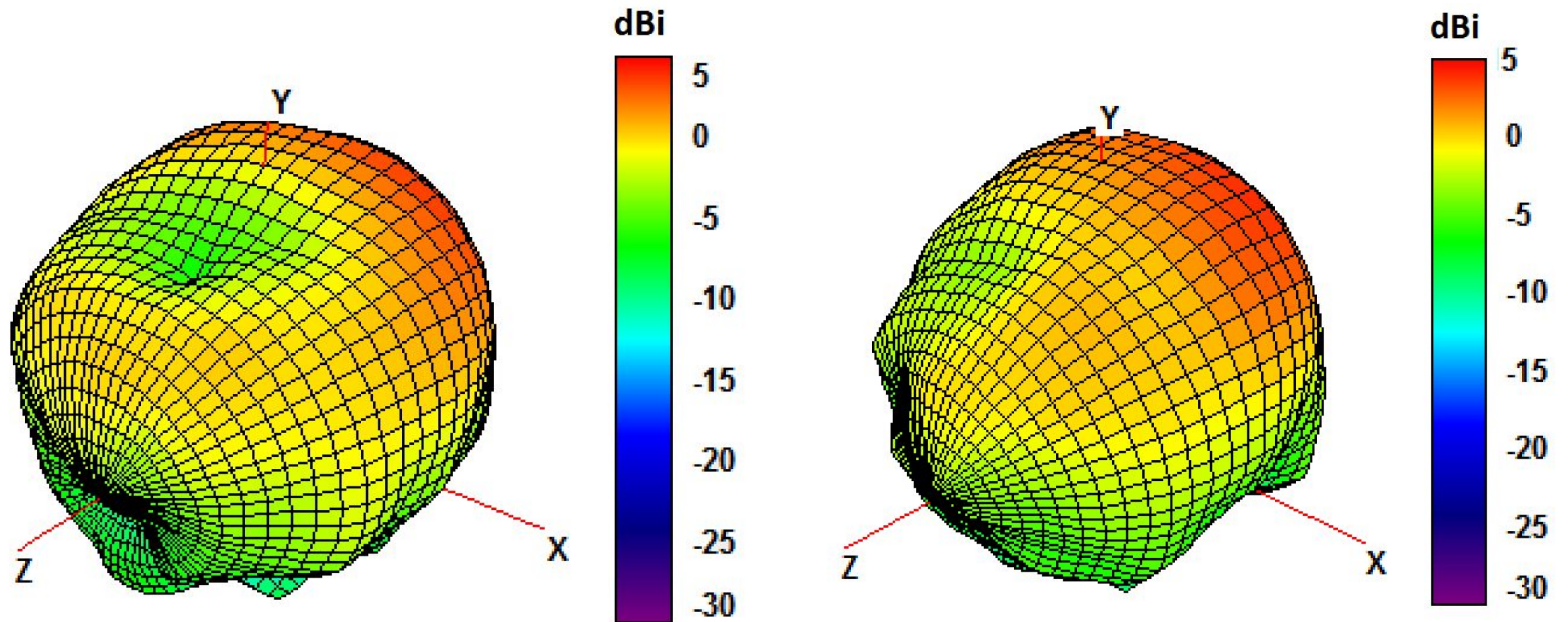
Radiation pattern reference



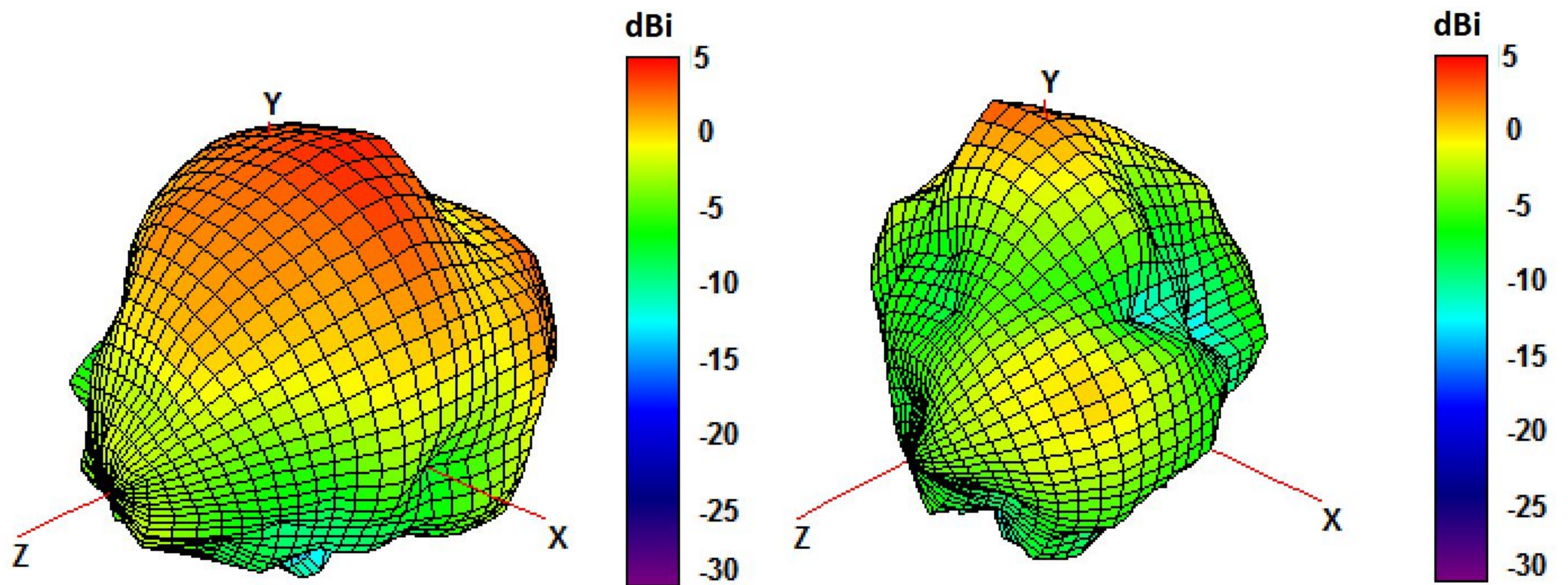
750 and 850 MHz Radiation pattern



940 and 1750 MHz Radiation pattern



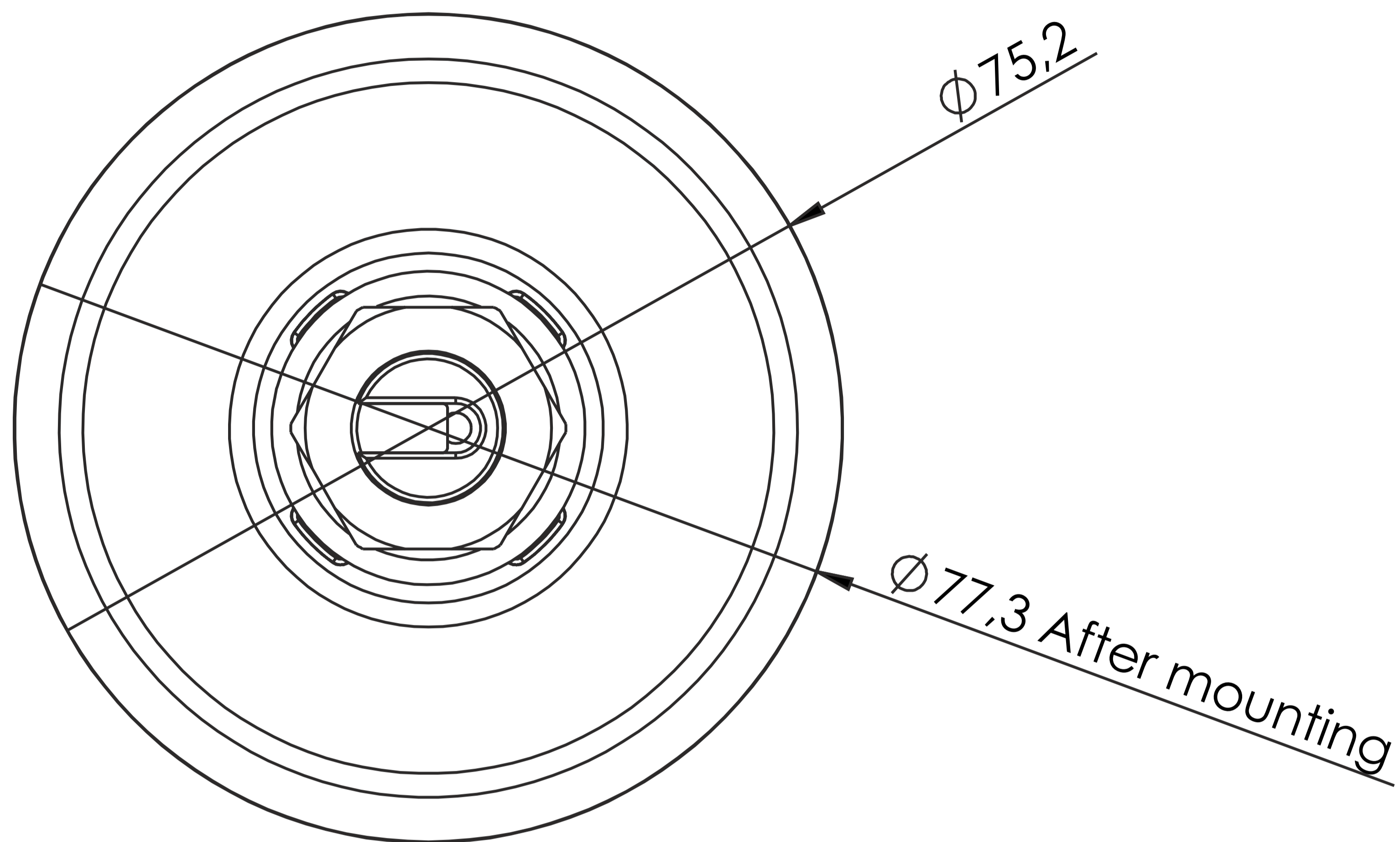
1850 and 1950 MHz Radiation pattern



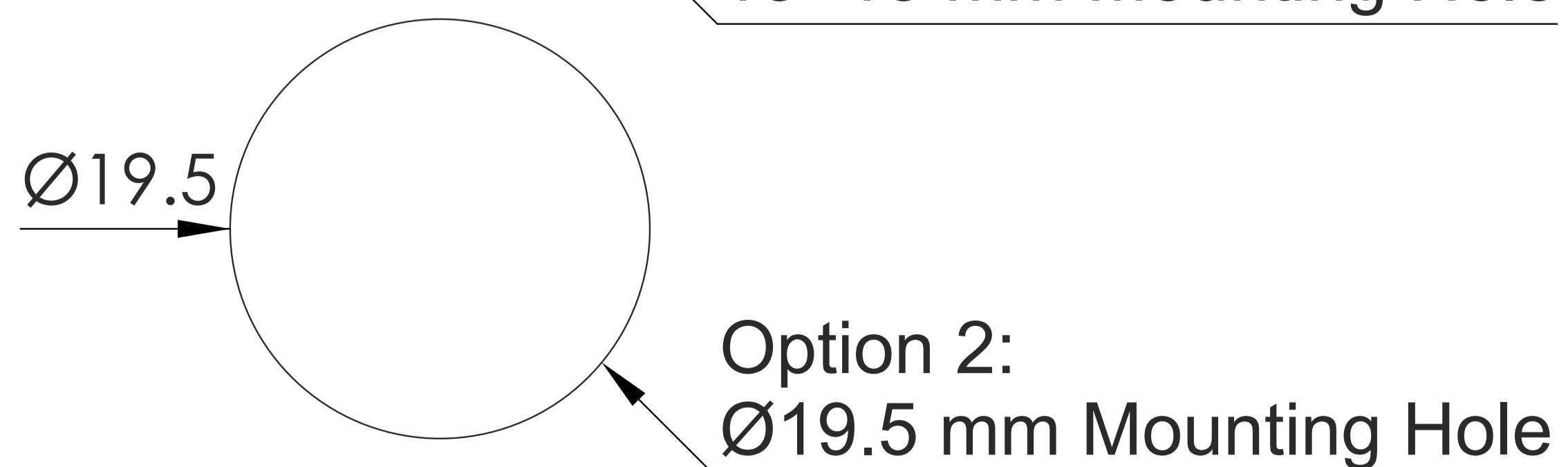
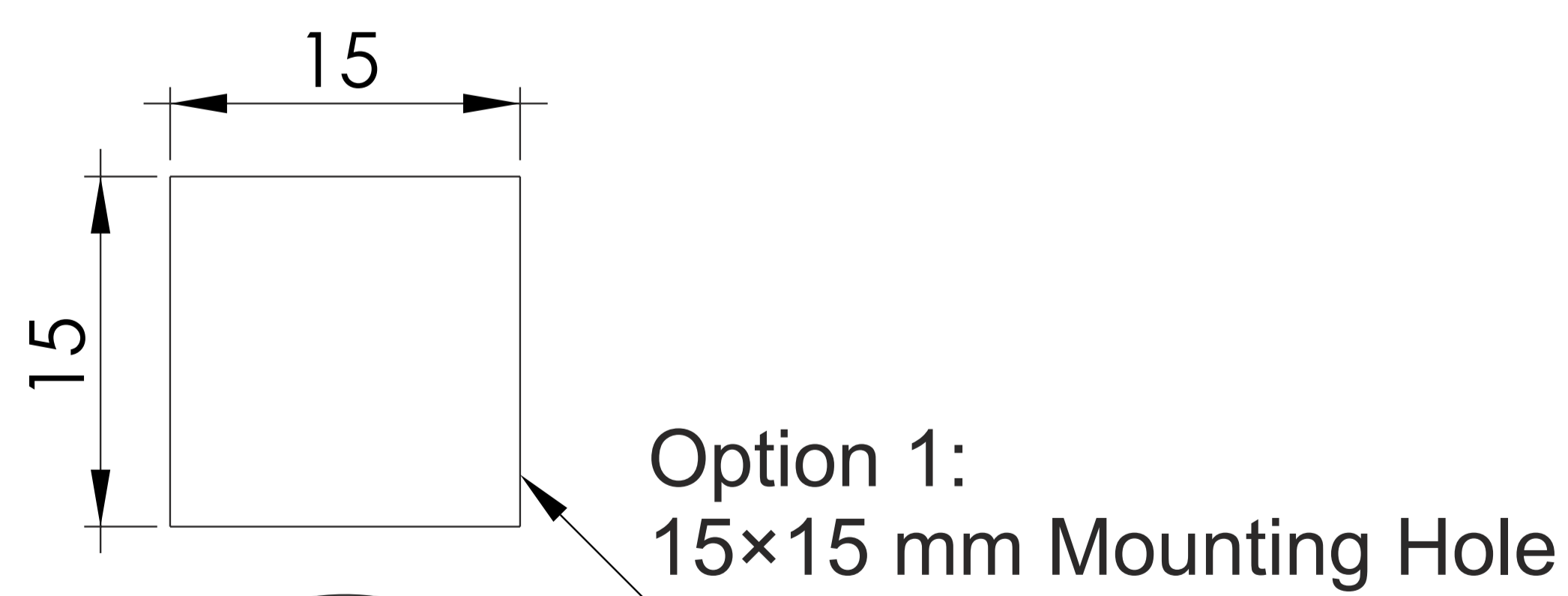
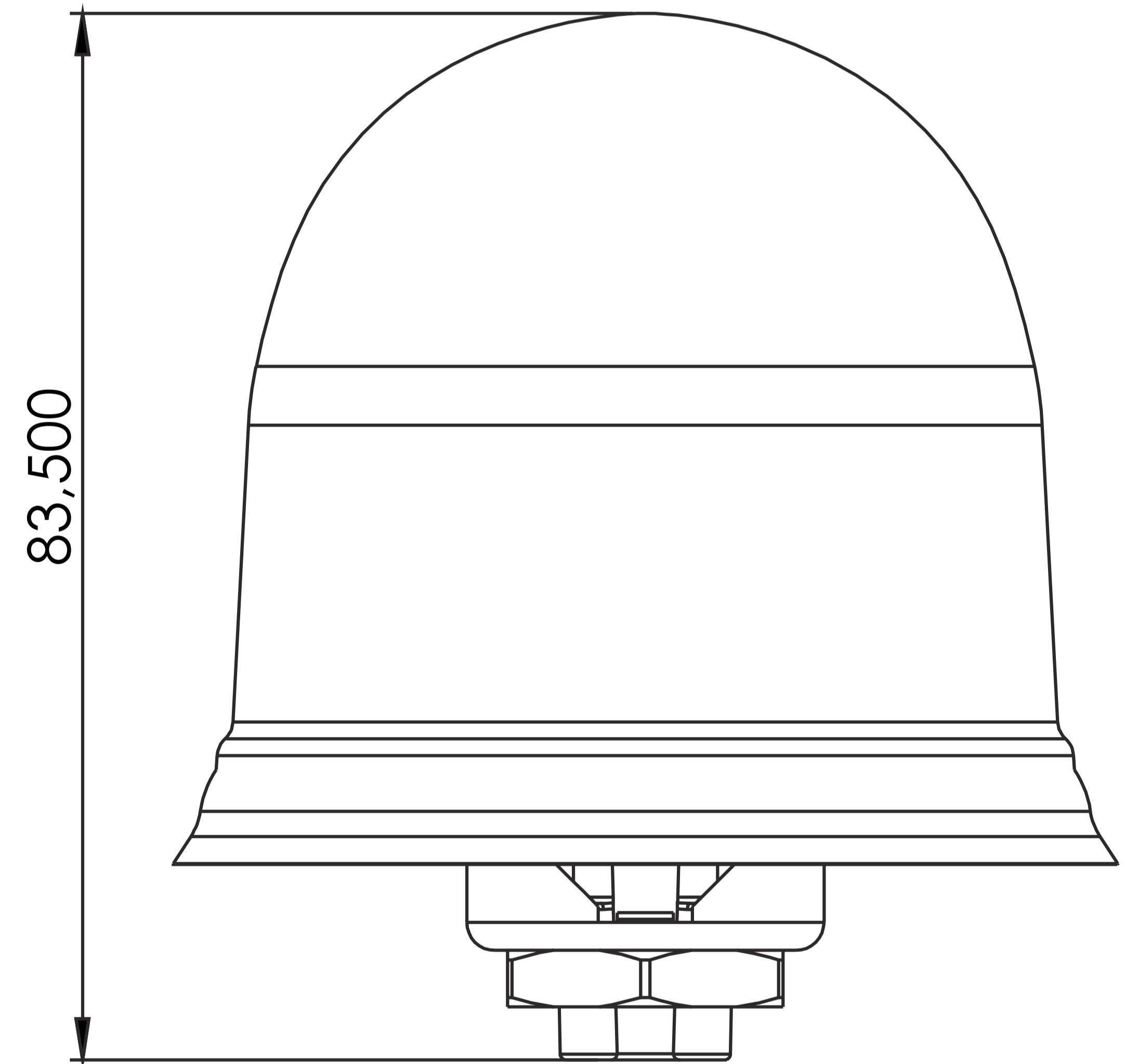
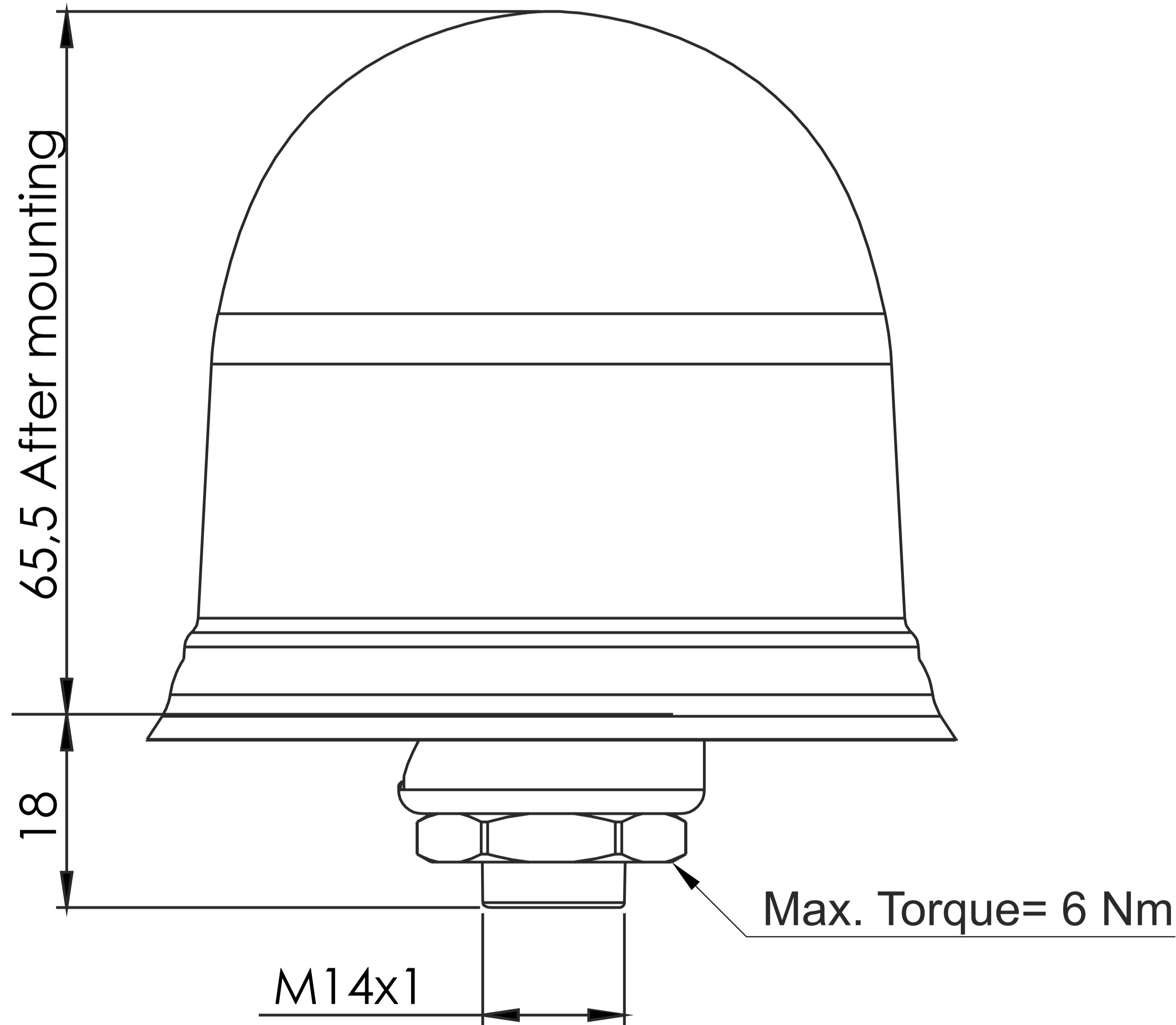
2100 and 2600 MHz Radiation pattern

MULTIBAND ANTENNAS LTD. 36 FITZWILLIAM SQUARE WEST,
DUBLIN D02 HX82, IRELAND VAT NO: IE 6357511U

4. Antenna drawings



Multiband Antennas Limited. 36 Fitzwilliam Square West, Dublin D02 HX82, Ireland Vat No: IE 6357511U www.multiband-antennas.com info@multiband-antennas.com



Note: Dimensions are in millimeters
***Dimensions are after mounting**
****Max. Torque= 6 Nm**

5. Antenna Images

