

2J6A24B

CELLULAR / LTE Screw Mount

Key Features

CELLULAR / LTE

- 698-960 MHz
- 1710-2170 MHz
- 2500-2700 Mhz

Screw Mount

Anti-Rotation Mechanism

Ground Plane Dependent

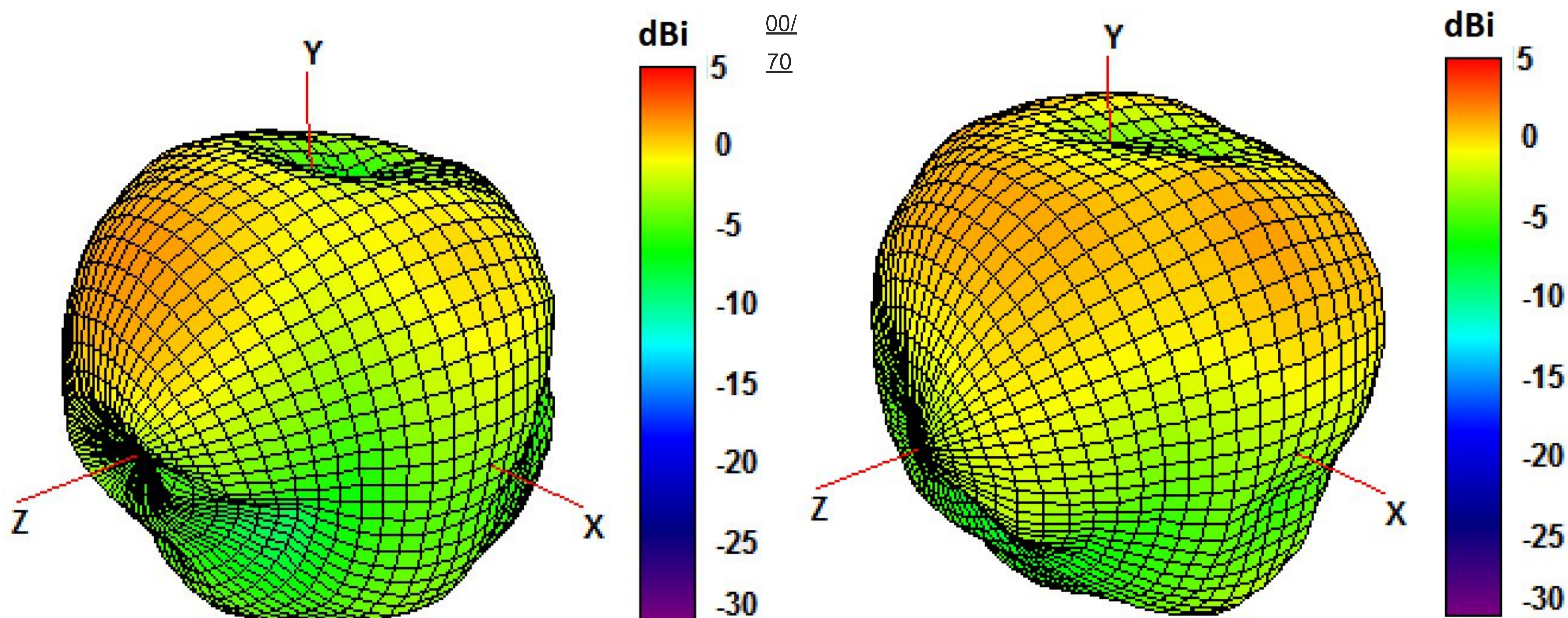
Customizable Cable and Connector

IP67, IK09, IP69K

Dimensions \varnothing 77.3 × 65.5 mm

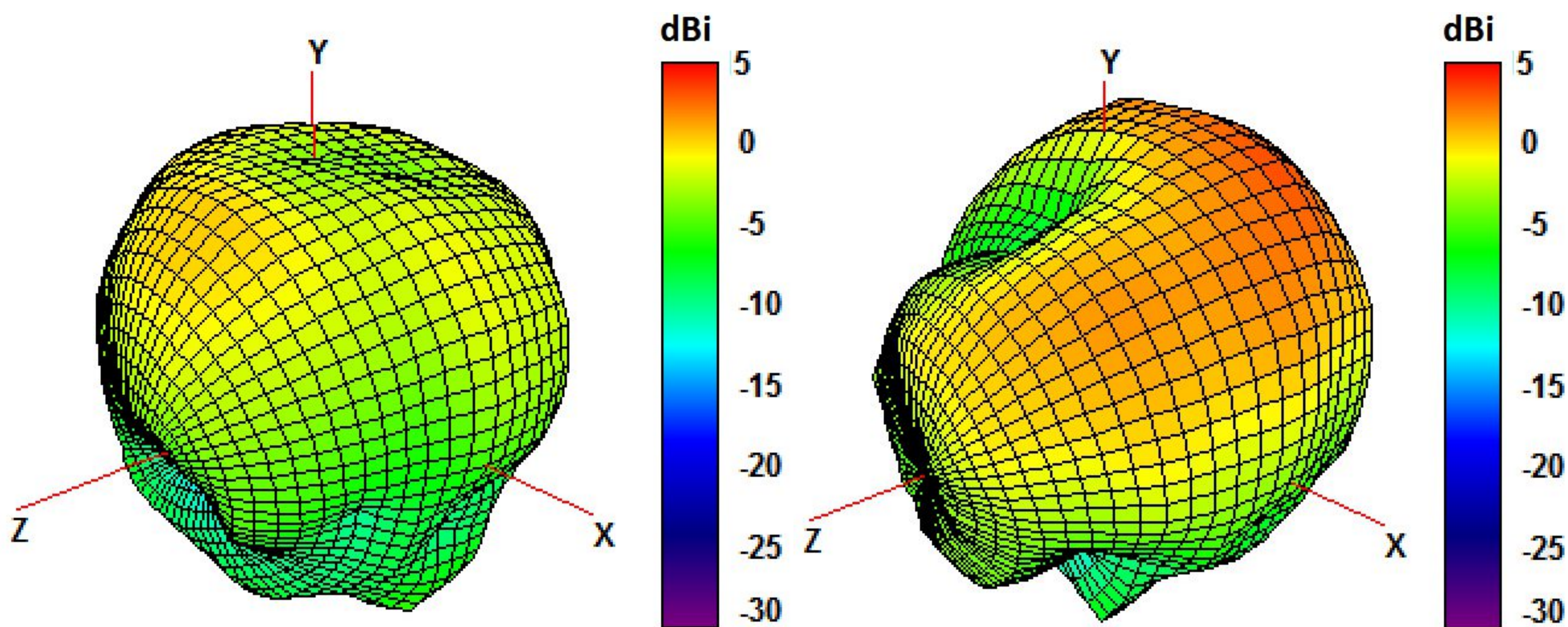


Parameters	Max. Input Power (W)	~52	Omni-Directional
Standards	Connector Type	~0.7	25
	Cable Length	~2.9	SMA-Male (Other connectors available)
	Cable Type	CELLULAR / LTE Antenna	300 cm (Customizable length available) DACAP 200
		2G,3G and 4G	



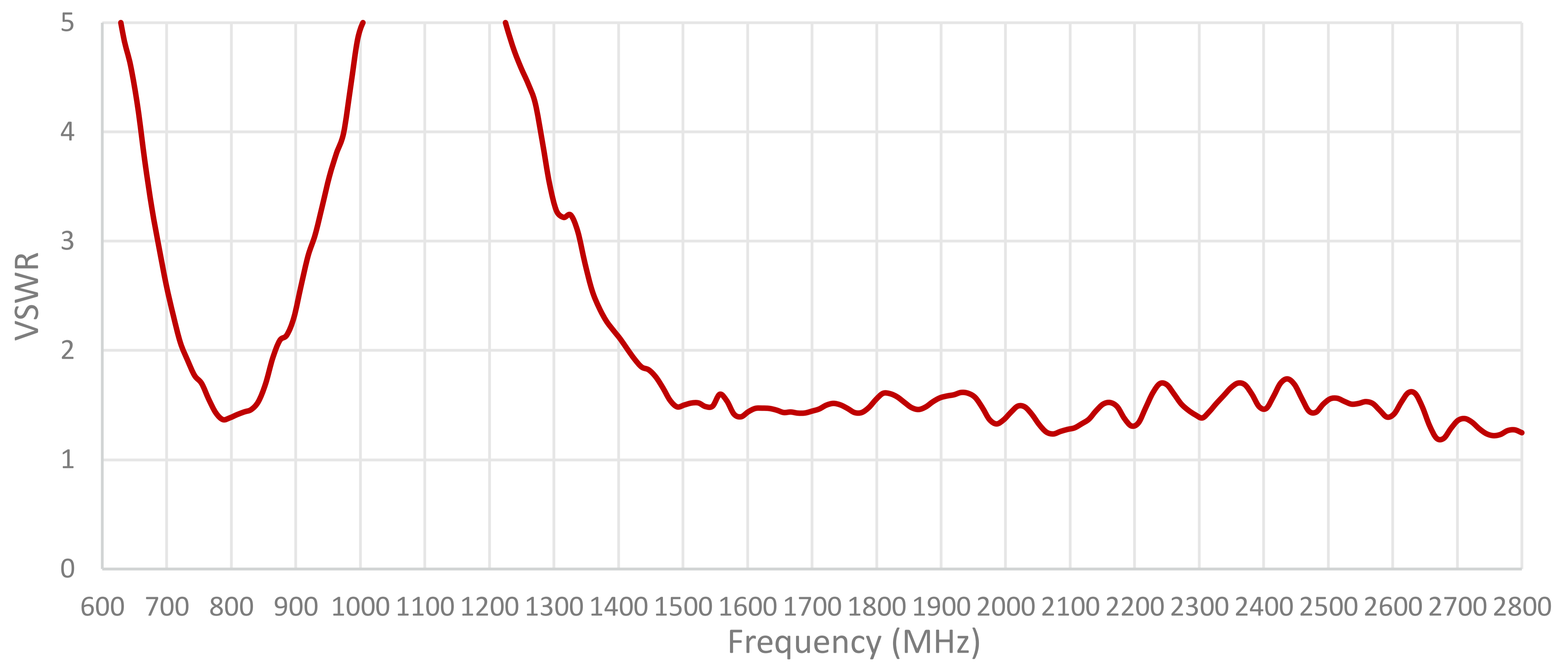
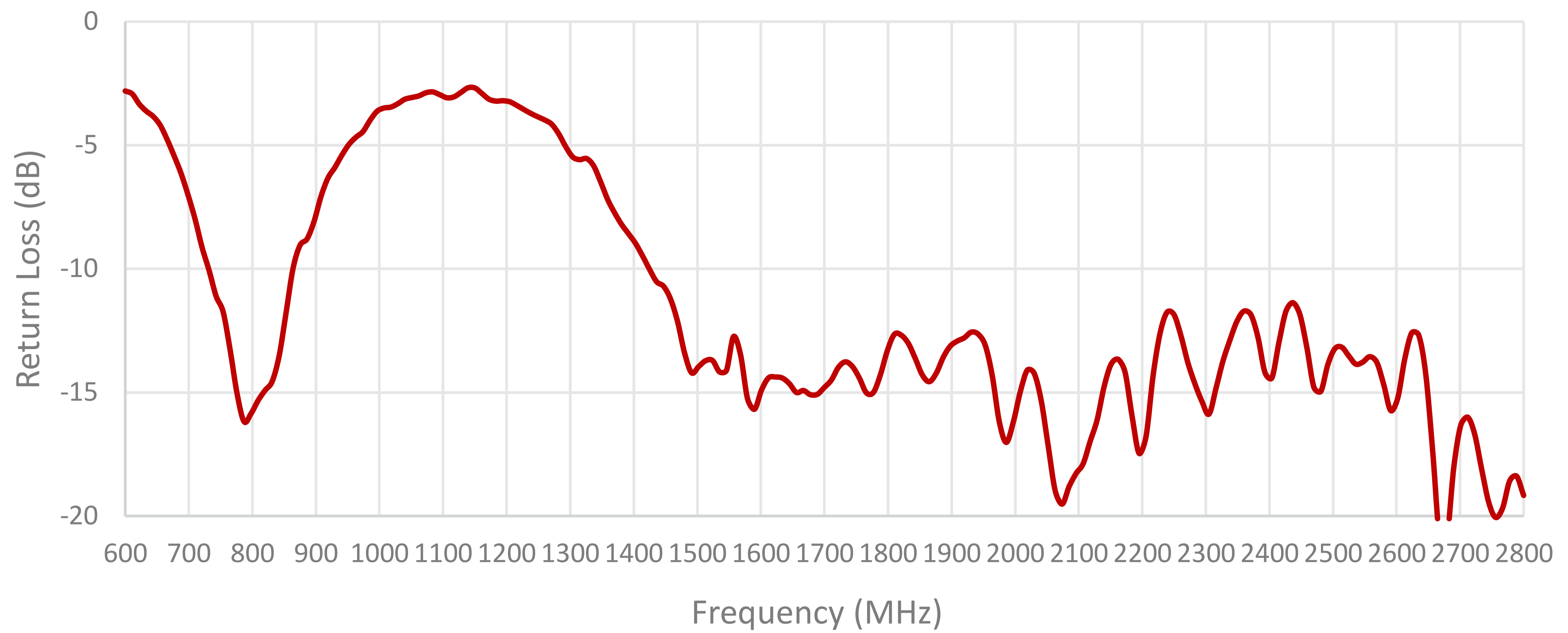
750 and 850 MHz Radiation pattern

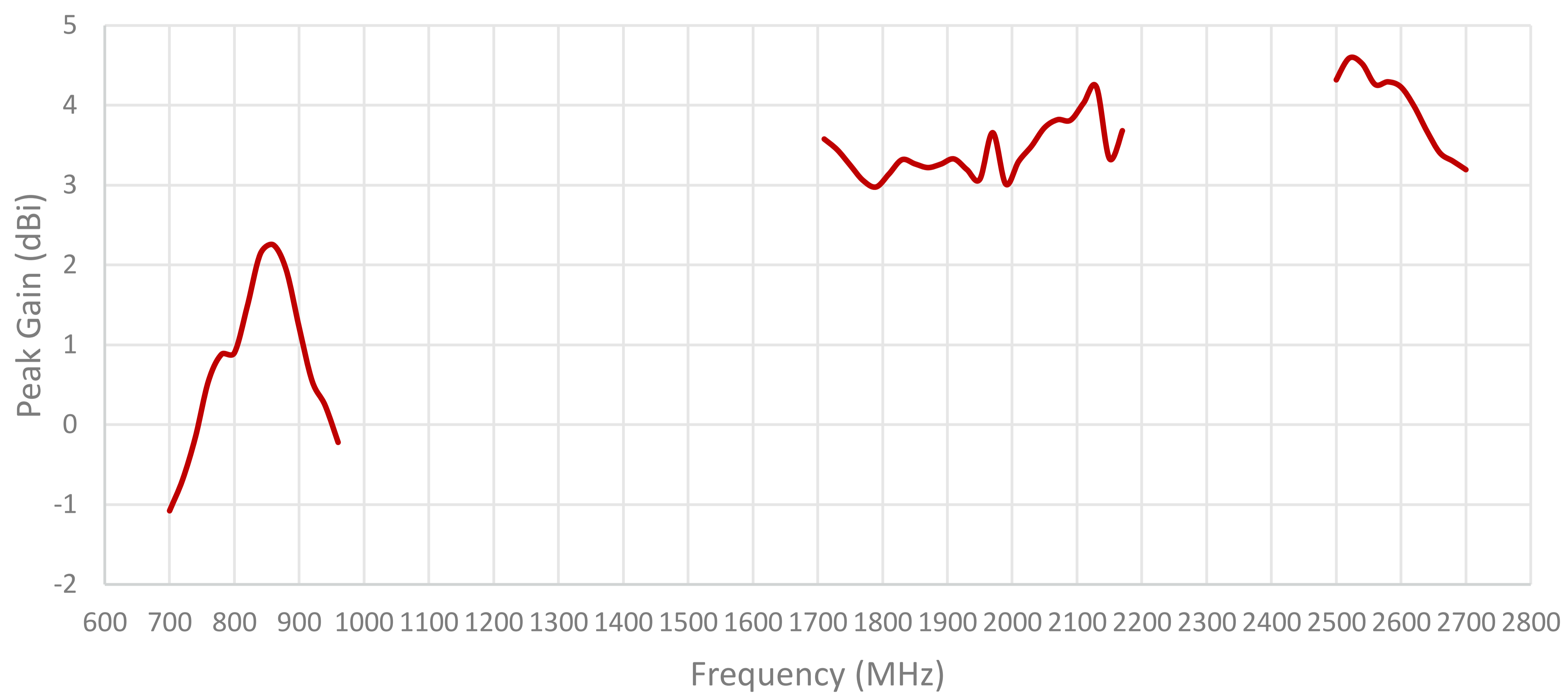
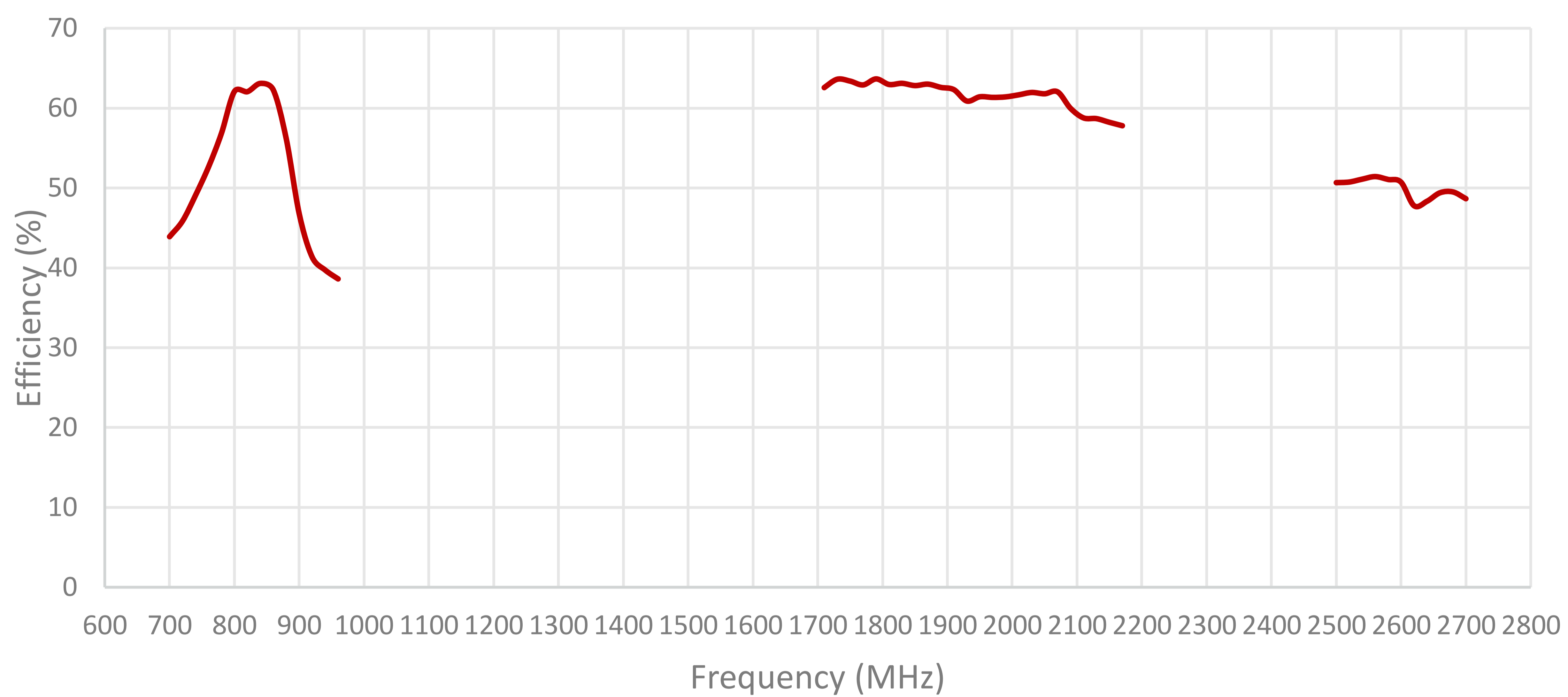
Measured in Certified CTIA 3D Anechoic Chamber

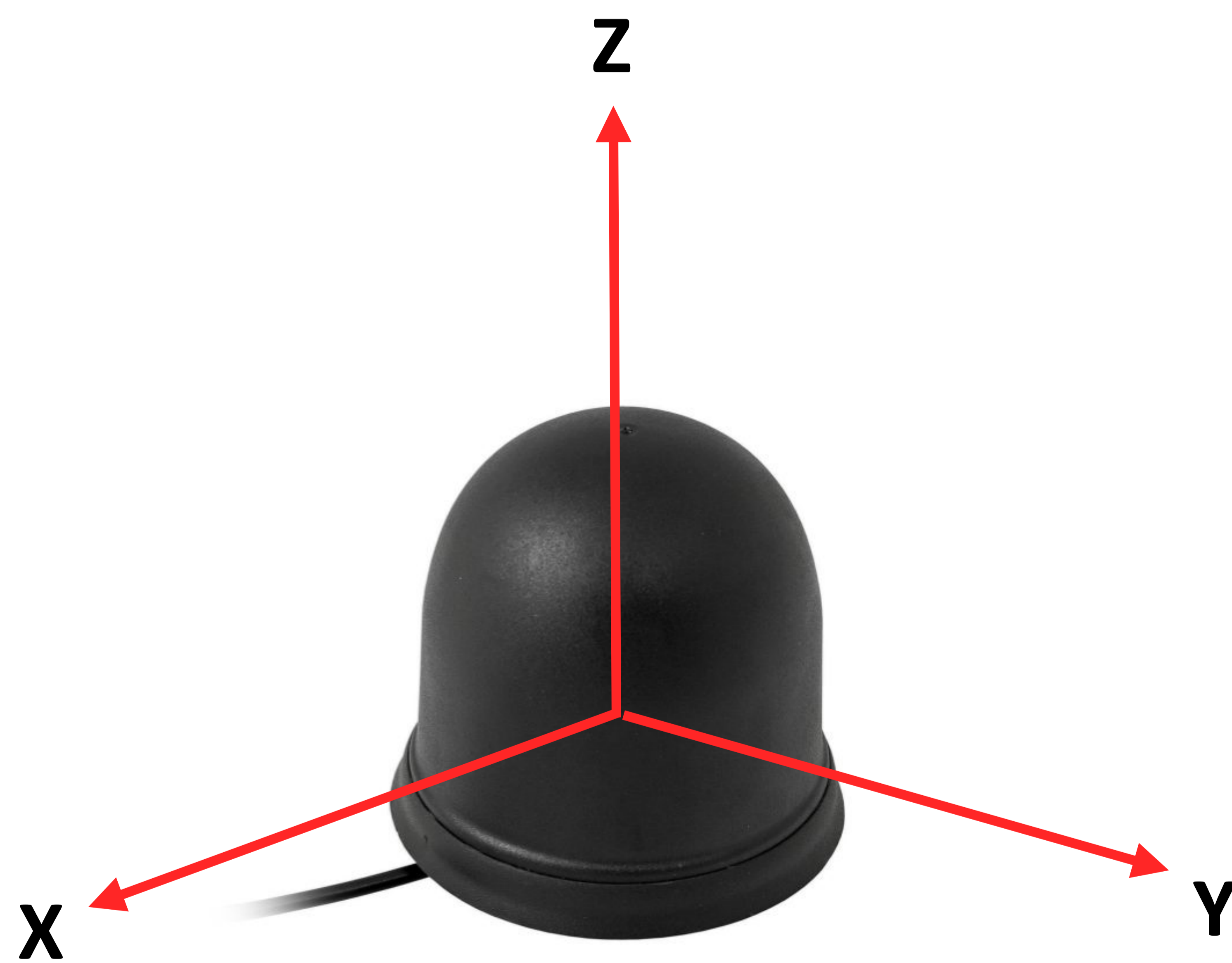
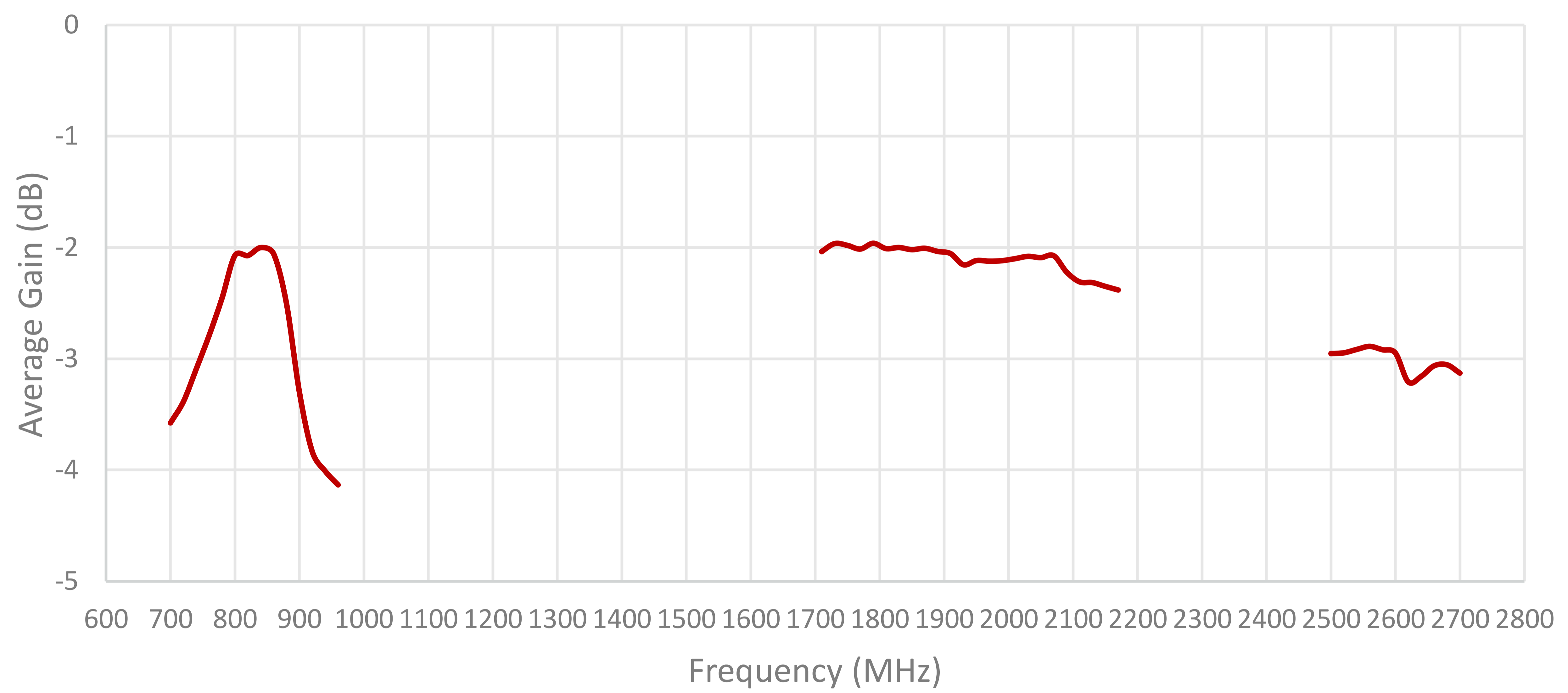


940 and 1750 MHz Radiation pattern

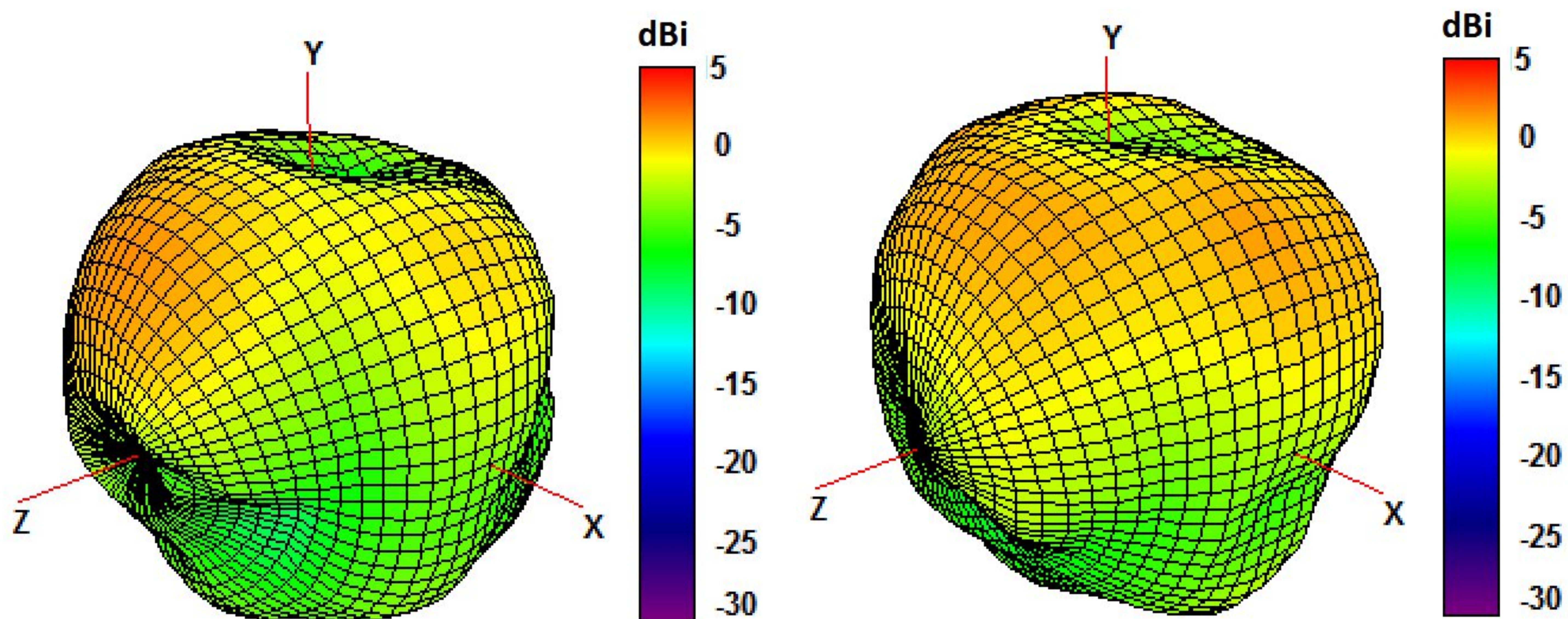
3. Antenna parameters



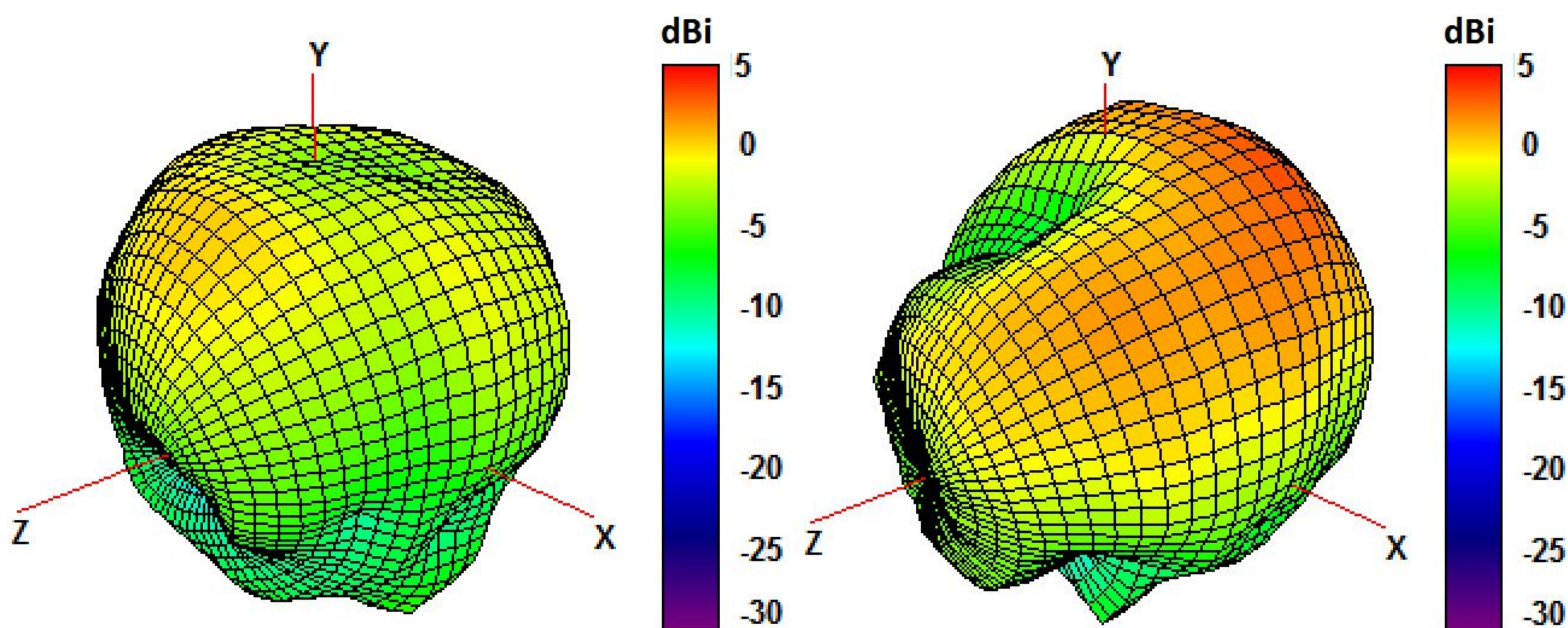




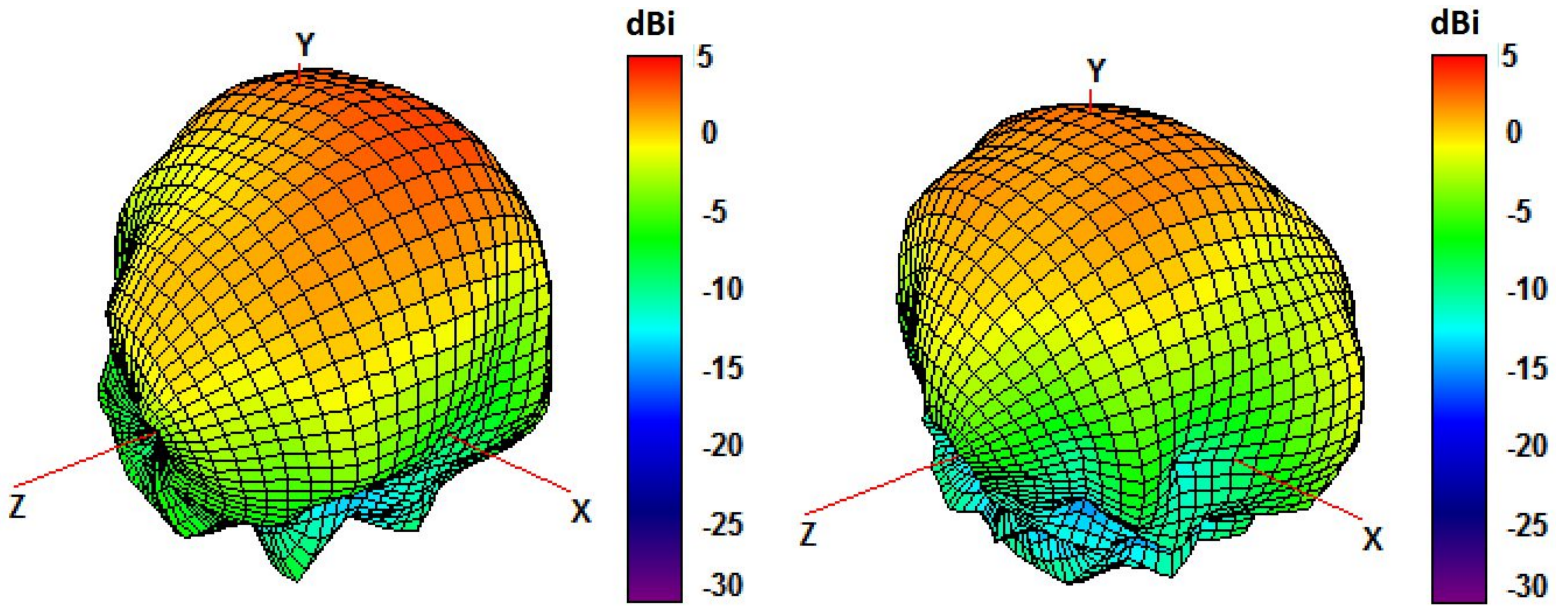
Radiation pattern reference



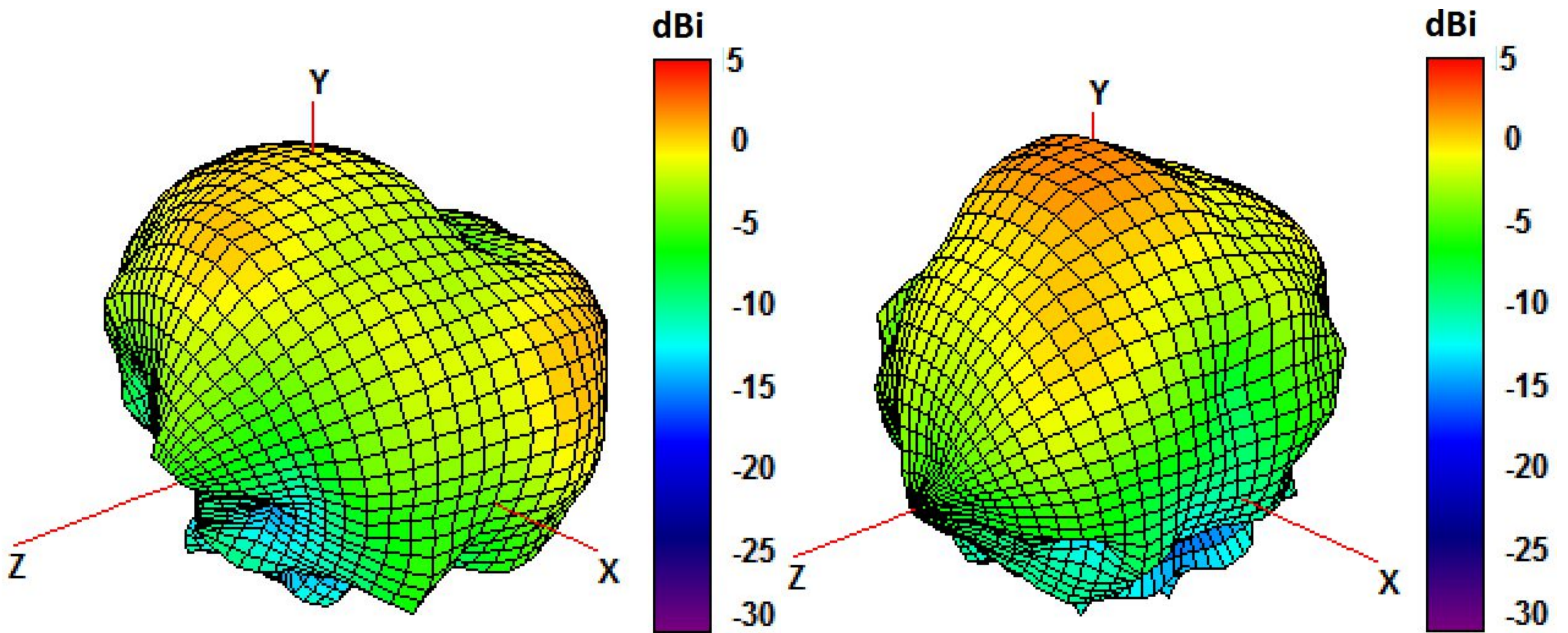
750 and 850 MHz Radiation pattern



940 and 1750 MHz Radiation pattern

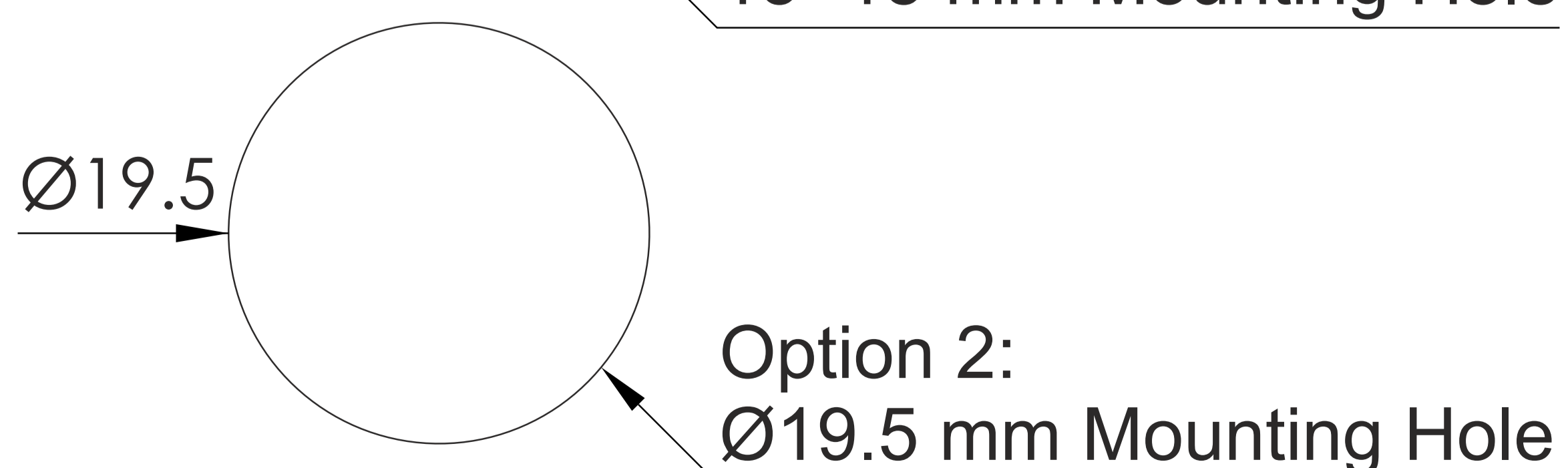
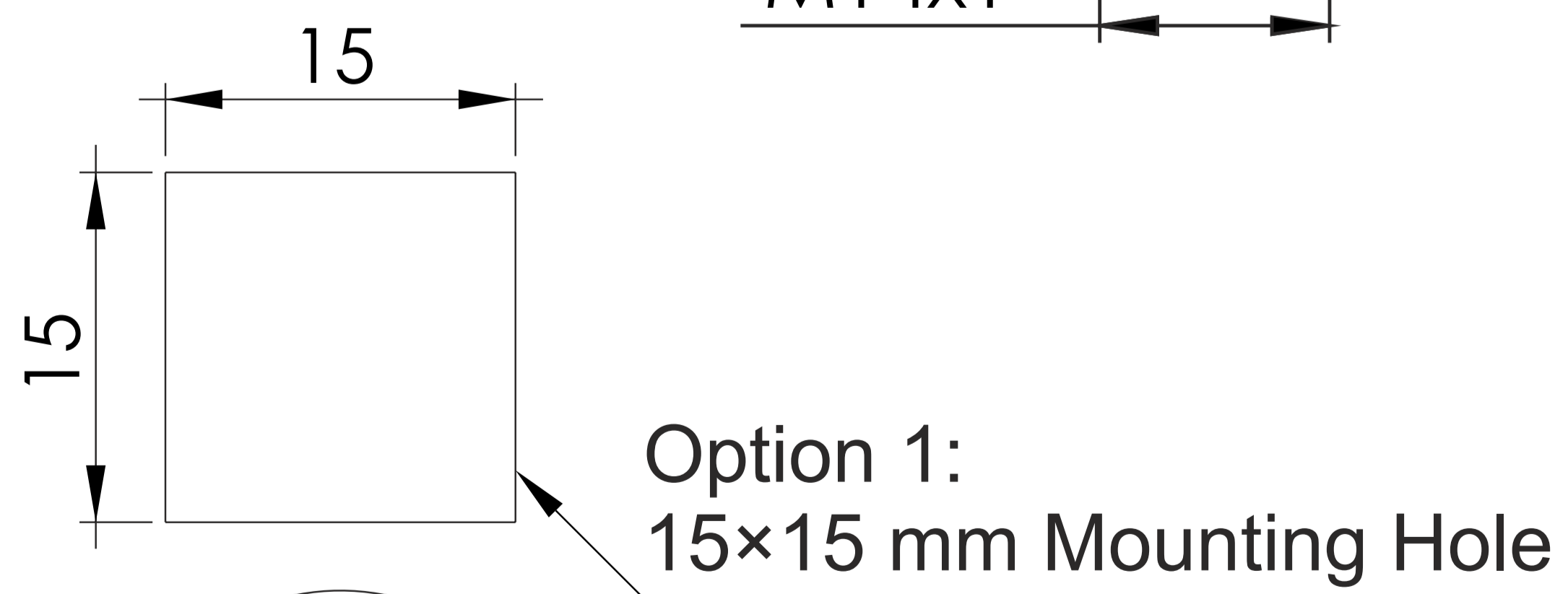
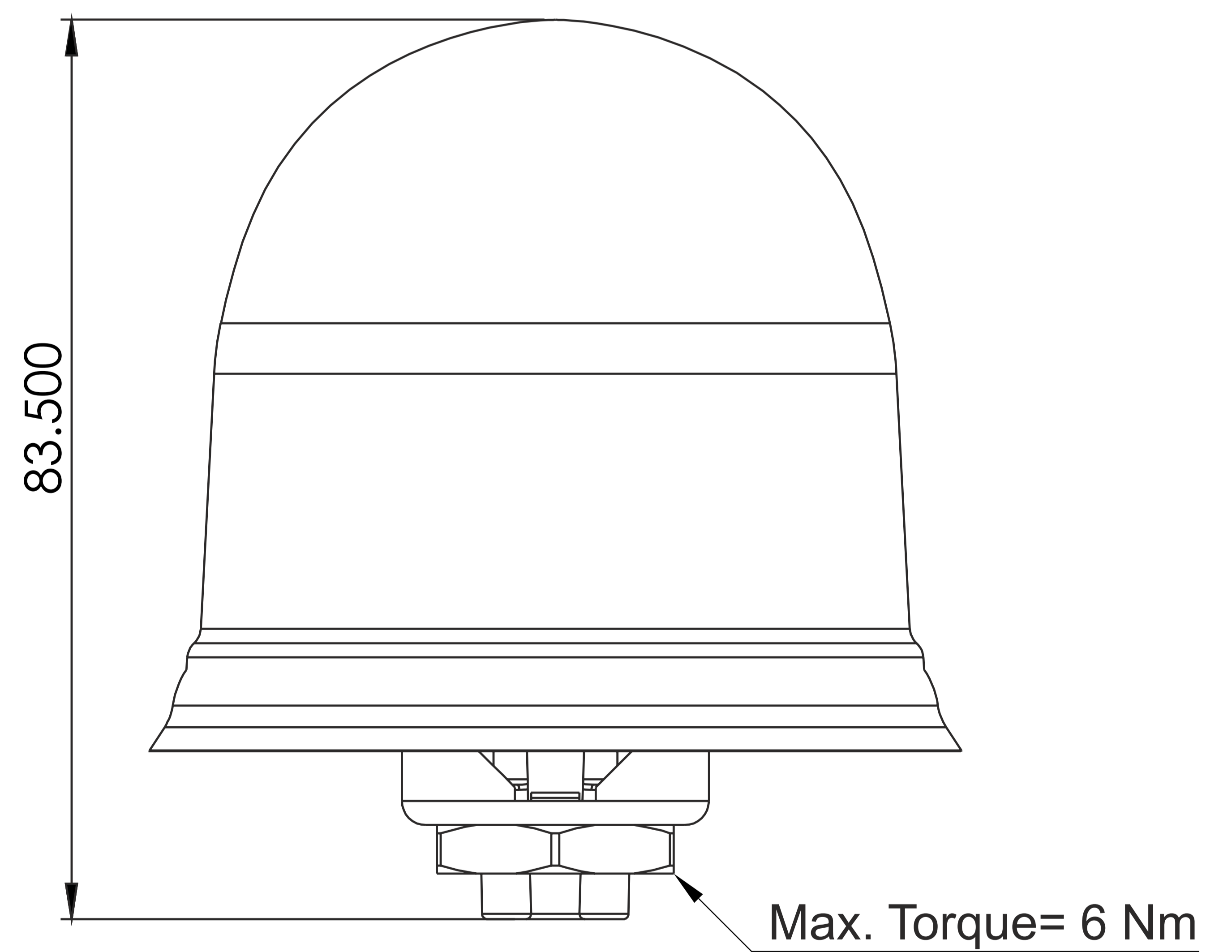
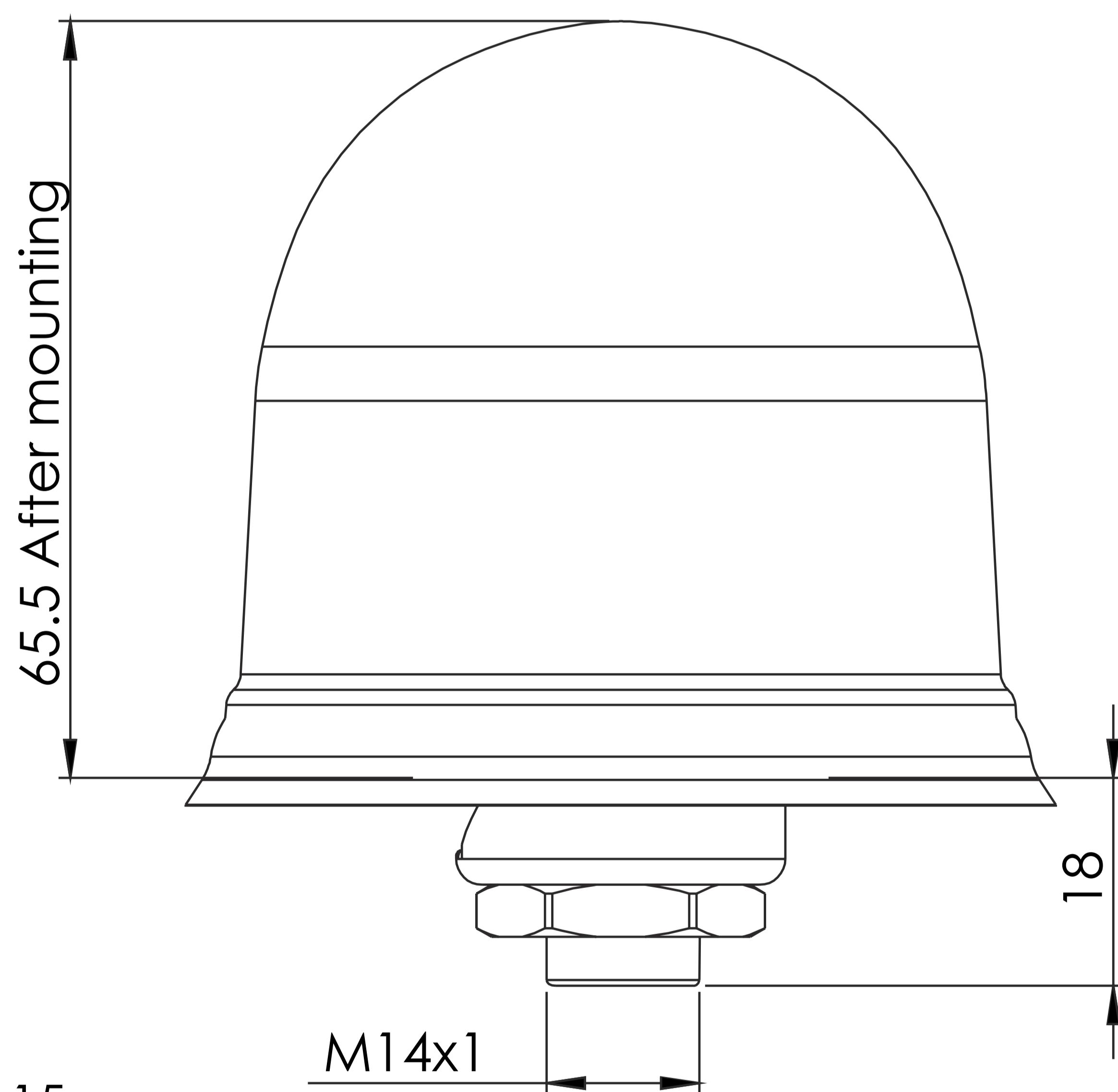
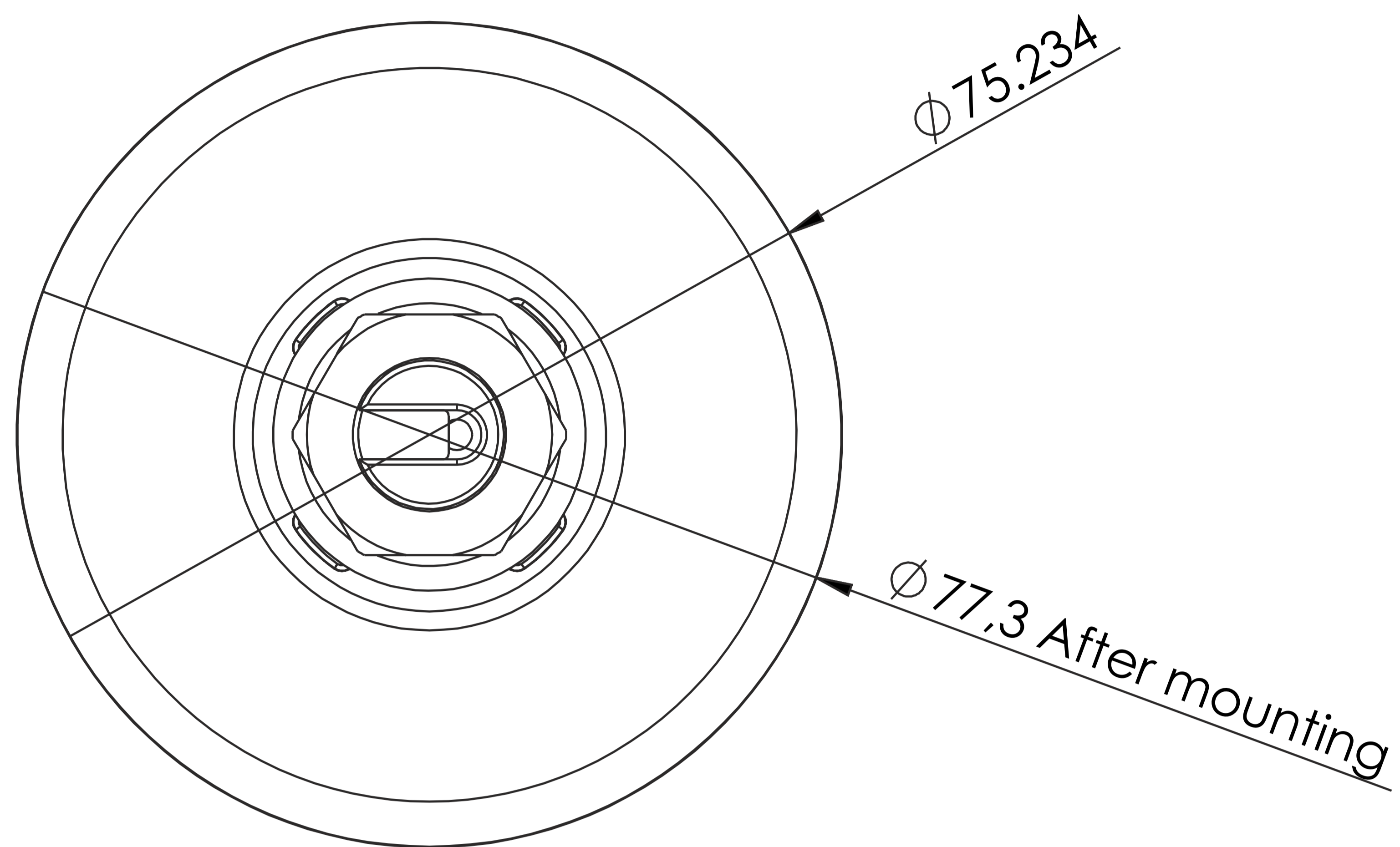


1850 and 1950 MHz Radiation pattern



2100 and 2600 MHz Radiation pattern

4. Antenna drawings



Note: Dimensions are in millimeters
***Dimensions are after mounting**
****Max. Torque= 6 Nm**

5. Antenna Images

