

2J6941BGF

CELLULAR/LTE and GNSS Screw Mount

Key Features

Cable 1: CELLULAR / LTE

- 698-960 MHz
- 1710-2170 MHz
- 2500-2700 MHz

Cable 2: GPS/GLONASS/QZSS/Galileo

- 1575-1606 MHz

Screw Mount

Anti-Rotation Mechanism

Low Profile

Pre-Filtered GNSS

Ground Plane Independent

Customizable Cable and Connector

Dimensions 80 × 74 × 25.6 mm

Certificates: IP67, IP69



1. Antenna and electrical specifications

Cable 1	
Parameters	CELLULAR / LTE Antenna
Standards	2G,3G and 4G
Band (MHz)	700/850/900 1700/1800/1900/2100 2600
Frequency (MHz)	698-960 1710-2170 2500-2700
Return Loss (dB)	~-9.3 ~-6.8 ~-19.9
VSWR	~2.1:1 ~2.7:1 ~1.3:1
Efficiency (%)	~45.9 ~50.3 ~64.1
Peak Gain (dBi)	~2.7 ~5.1 ~5.3
Average Gain (dB)	~-3.8 ~-3.2 ~-1.9
Impedance (Ohm)	50
Polarisation	Linear
Radiation Pattern	Omni-Directional
Max. Input Power (W)	25
Connector Type	SMA-Male Standard (Other Connectors Available)
Cable Length	300 cm Standard (Any Cable Length Available)
Cable Type	D302 Standard (Other Cables Available)

Cable 2	
Parameters	GPS/GLONASS Antenna
Standard	GPS/QZSS/Galileo GLONASS
Band (MHz)	1575 1602
Frequency(MHz)	1575.42 1598-1606
Patch Size (mm)	25 × 25 × 4
Return Loss (dB)	<=-15.0 dB
VSWR	<=1.4:1 dB
Impedance	50
Radiation Pattern	Hemispherical
Polarization	RHCP
Saw Filter	Pre-filter
Active Gain (dB)	28 @ 2.7 V
Noise Figure (dB)	1.5 Typ
Voltage (V)	1.5 - 3.6
Current (mA)	9 Typ
Power Consumption (mW)	24.3 Typ
ESD Protection (kV)	2kV
Connector Type	SMA-Male Standard (Other Connectors Available)
Cable Length	300 cm Standard (Any Cable Length Available)
Cable Type	D100 Standard (Other Cables Available)

Antenna Measurement Conditions:

Mounted on Metal Plate of 30 x 30 cm

200 cm of Cable D302

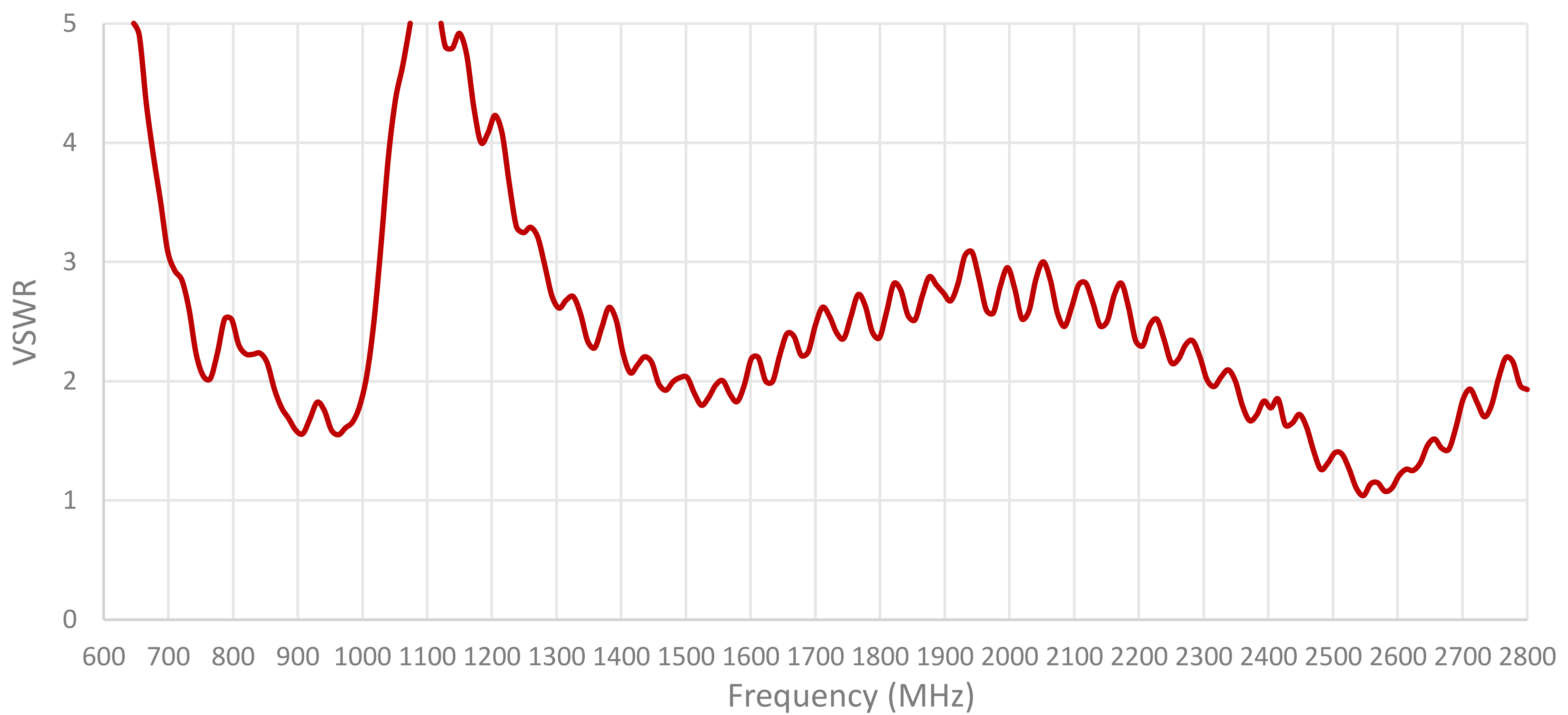
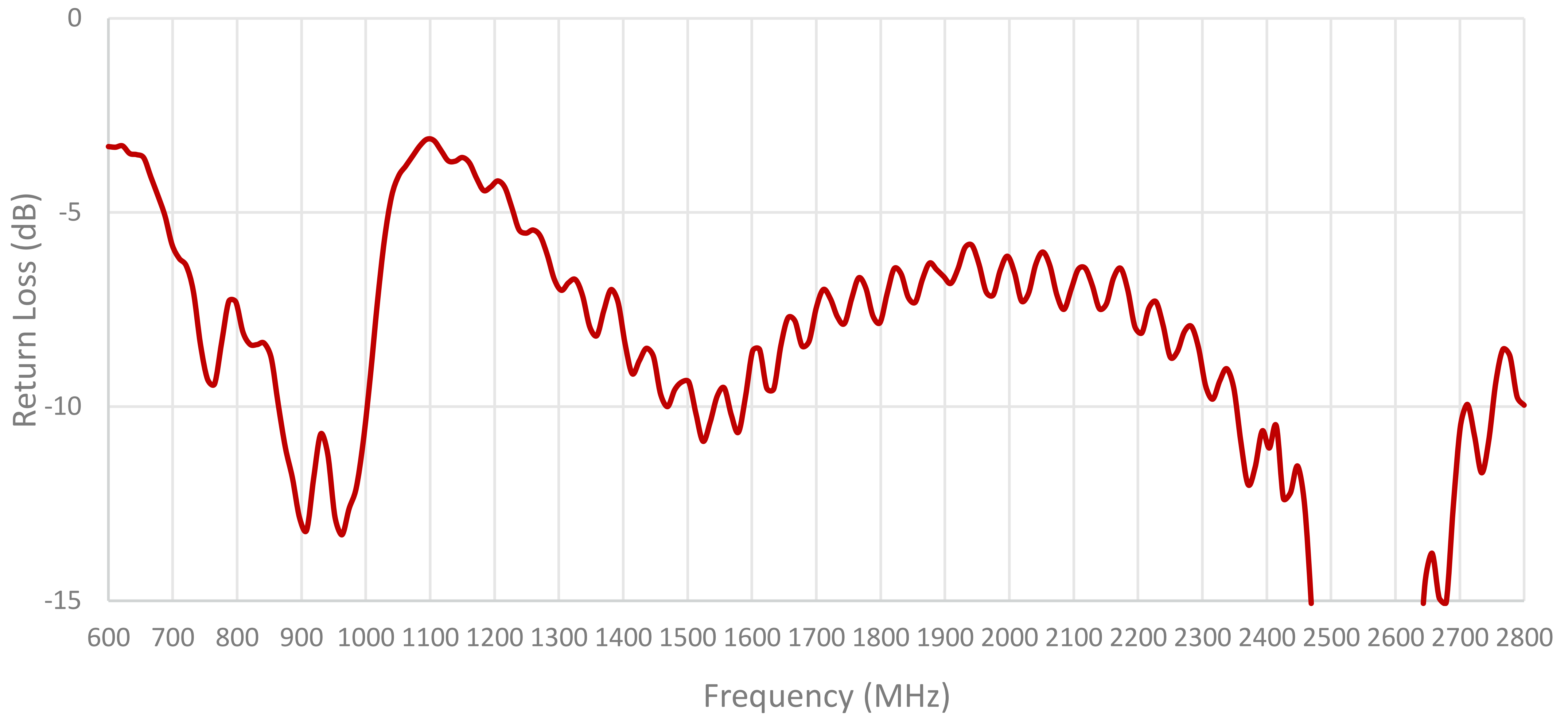
Measured in Certified CTIA 3D Anechoic Chamber

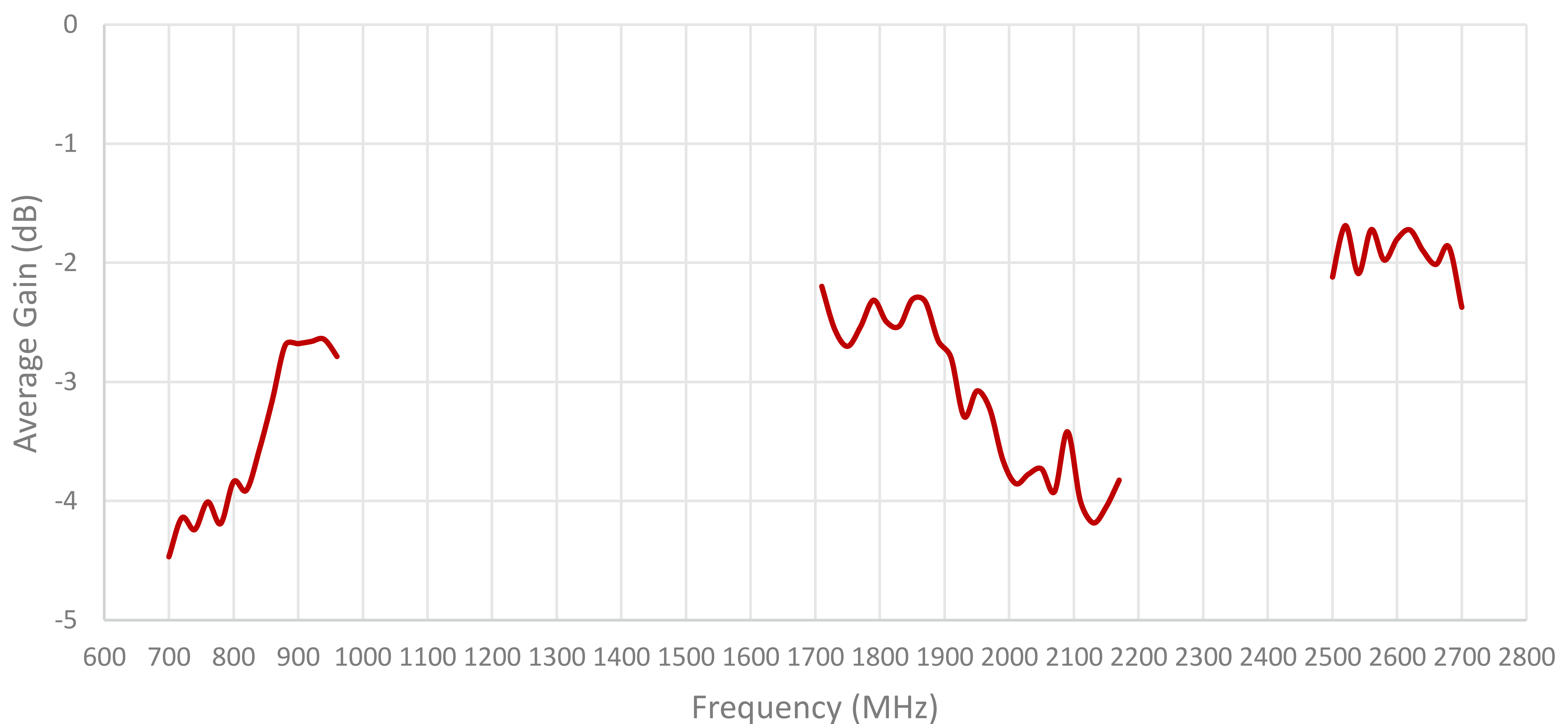
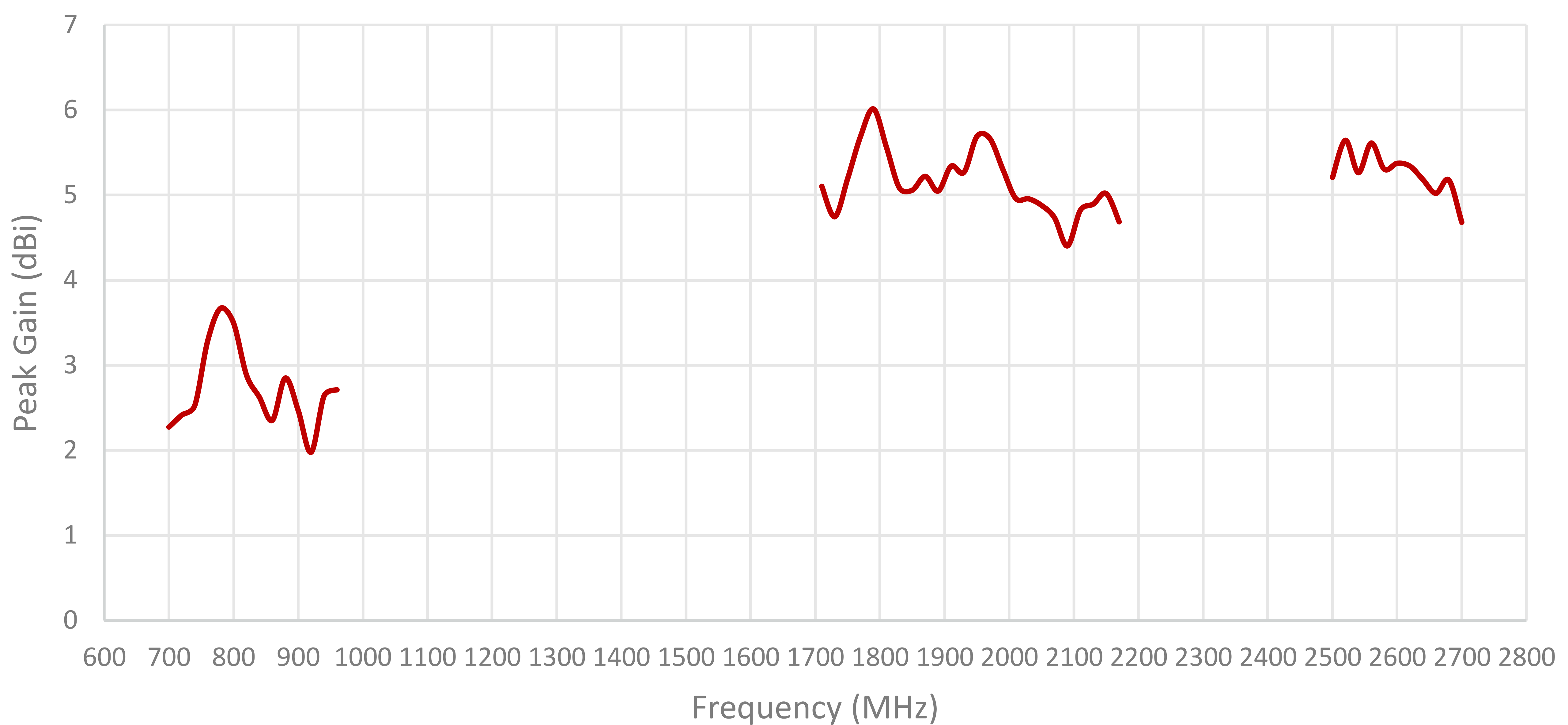
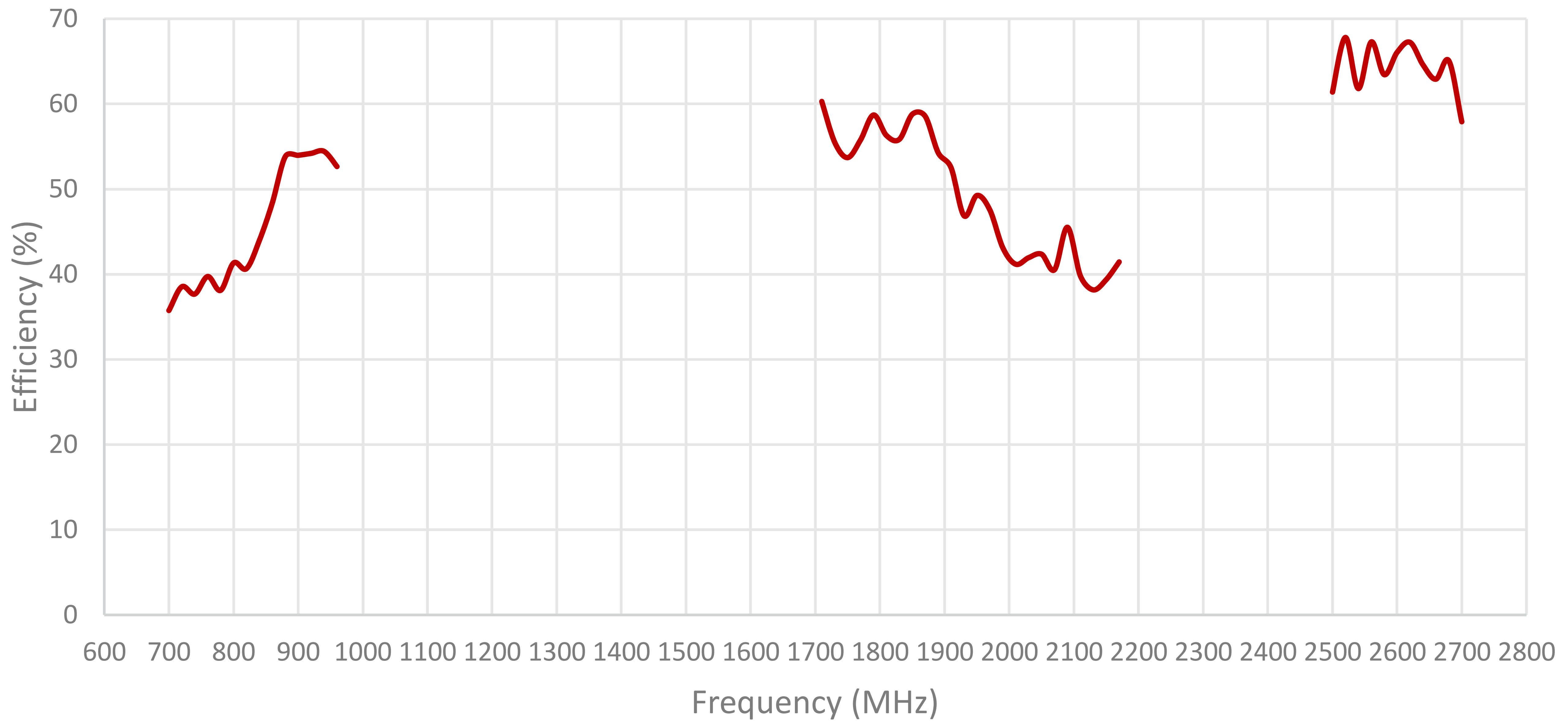
2. Mechanical and environmental specifications

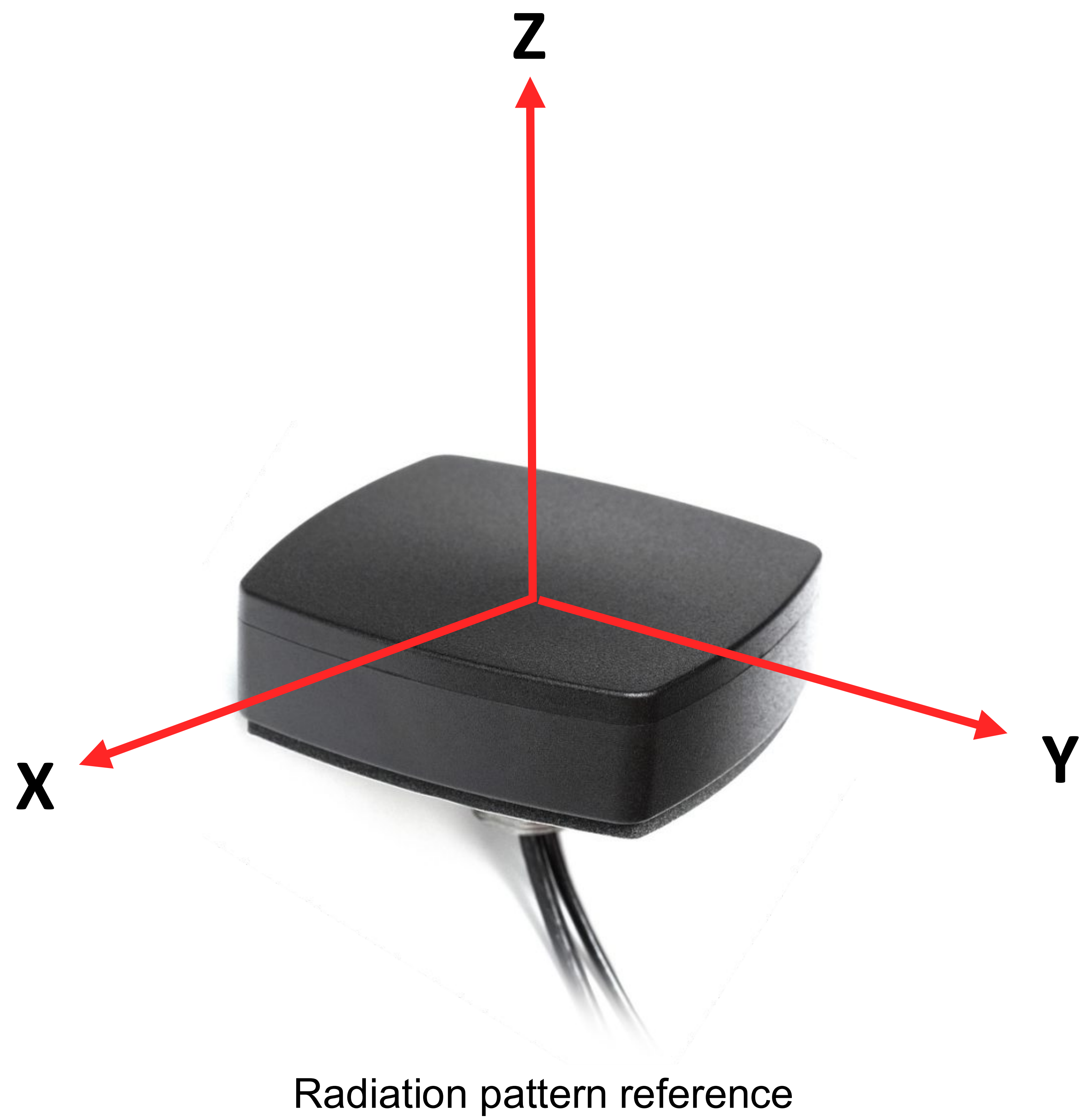
Specifications	2J6941BGF
Mounting Type	Screw Mount
Dimensions (mm)	80 × 74 × 25.6
Max. Tighten Torque (Nm)	5 Nm
Radome Type	ABS UV Stable
Radome Color	Black, White
Operating Temperature (C)	-40 to +85
Storage Temperature (C)	-40 to +85
Substance Compliance	RoHS
Certificates	IP67, IP69

3. Antenna parameters

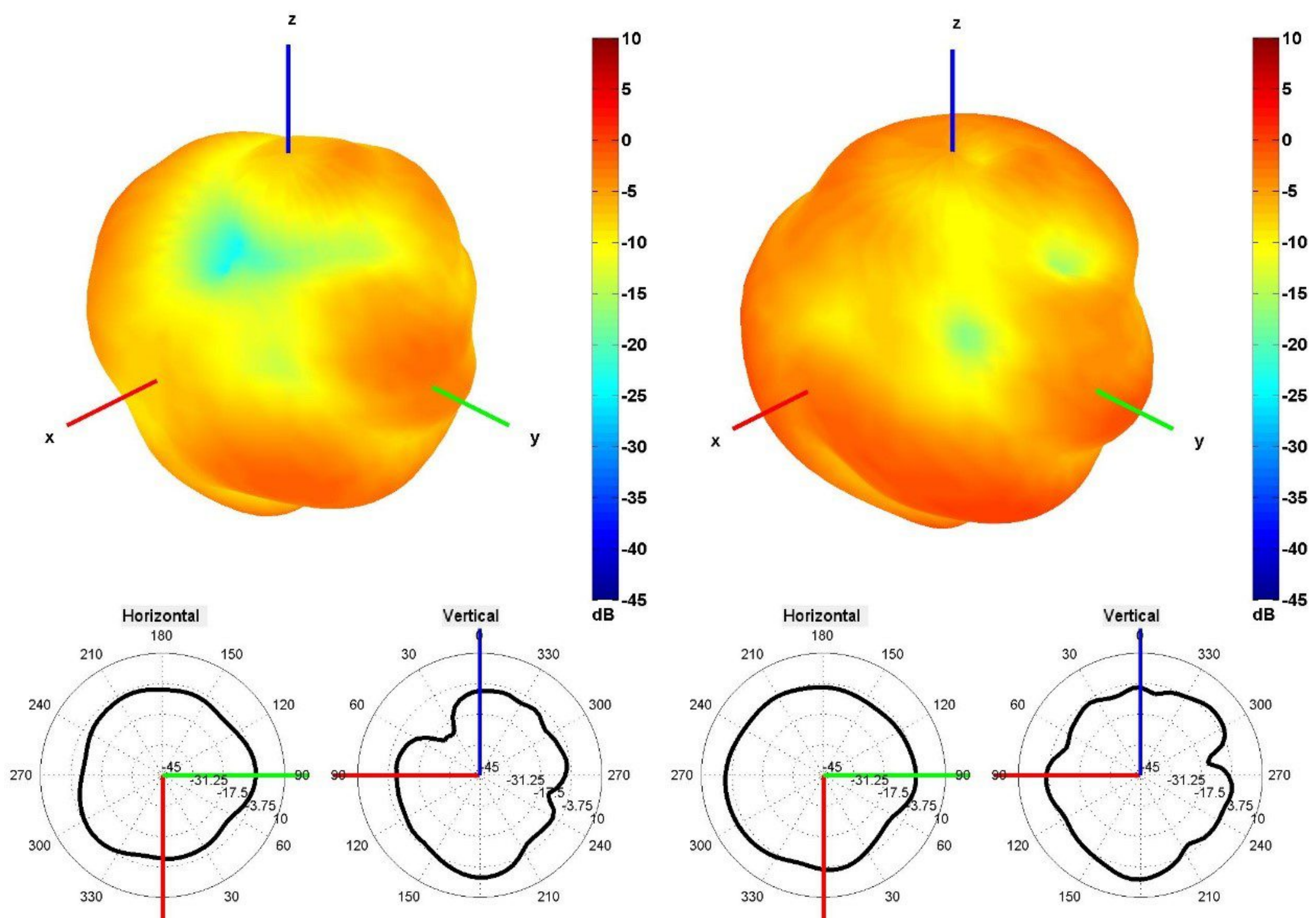
Cable 1: CELLULAR/LTE



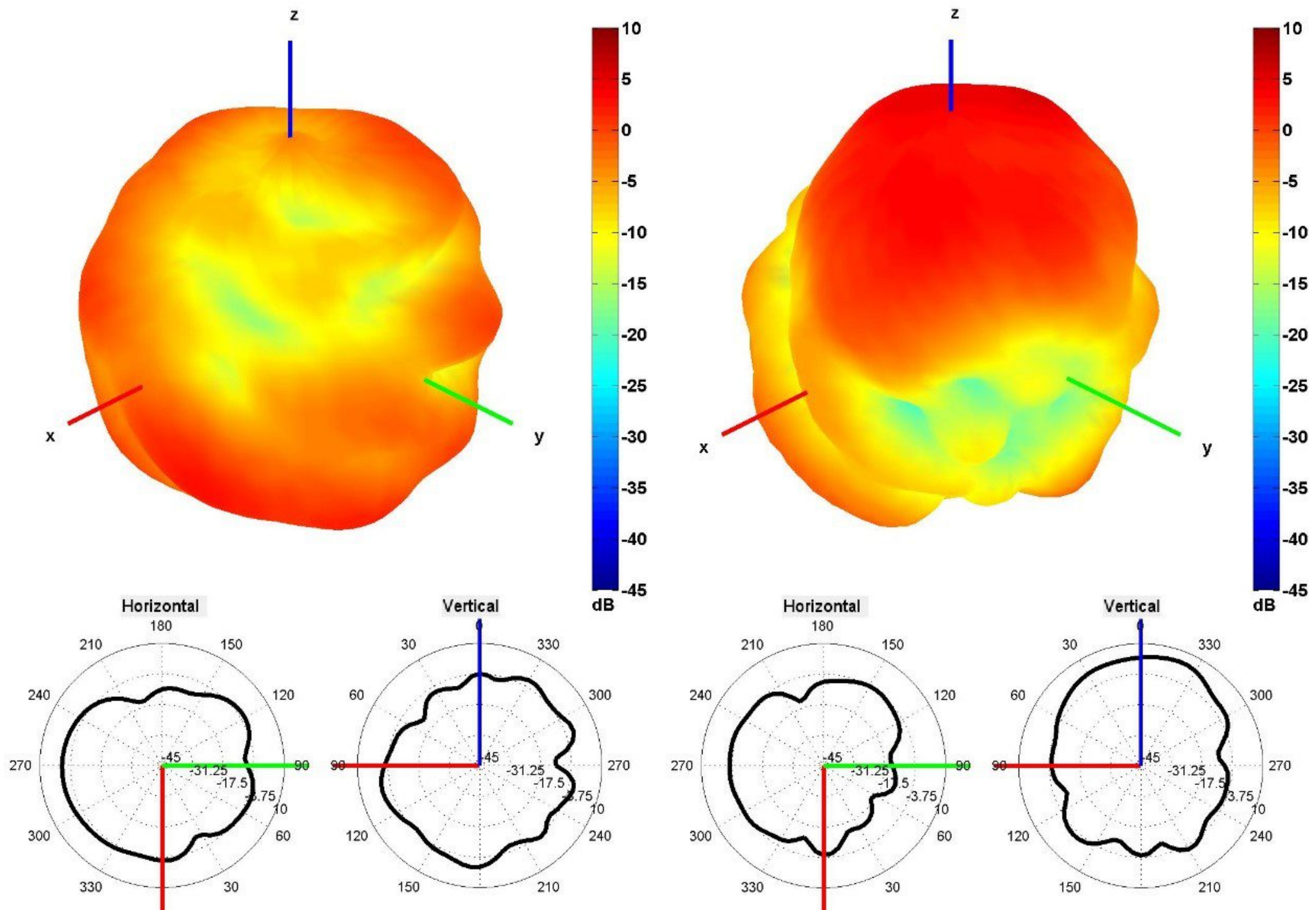




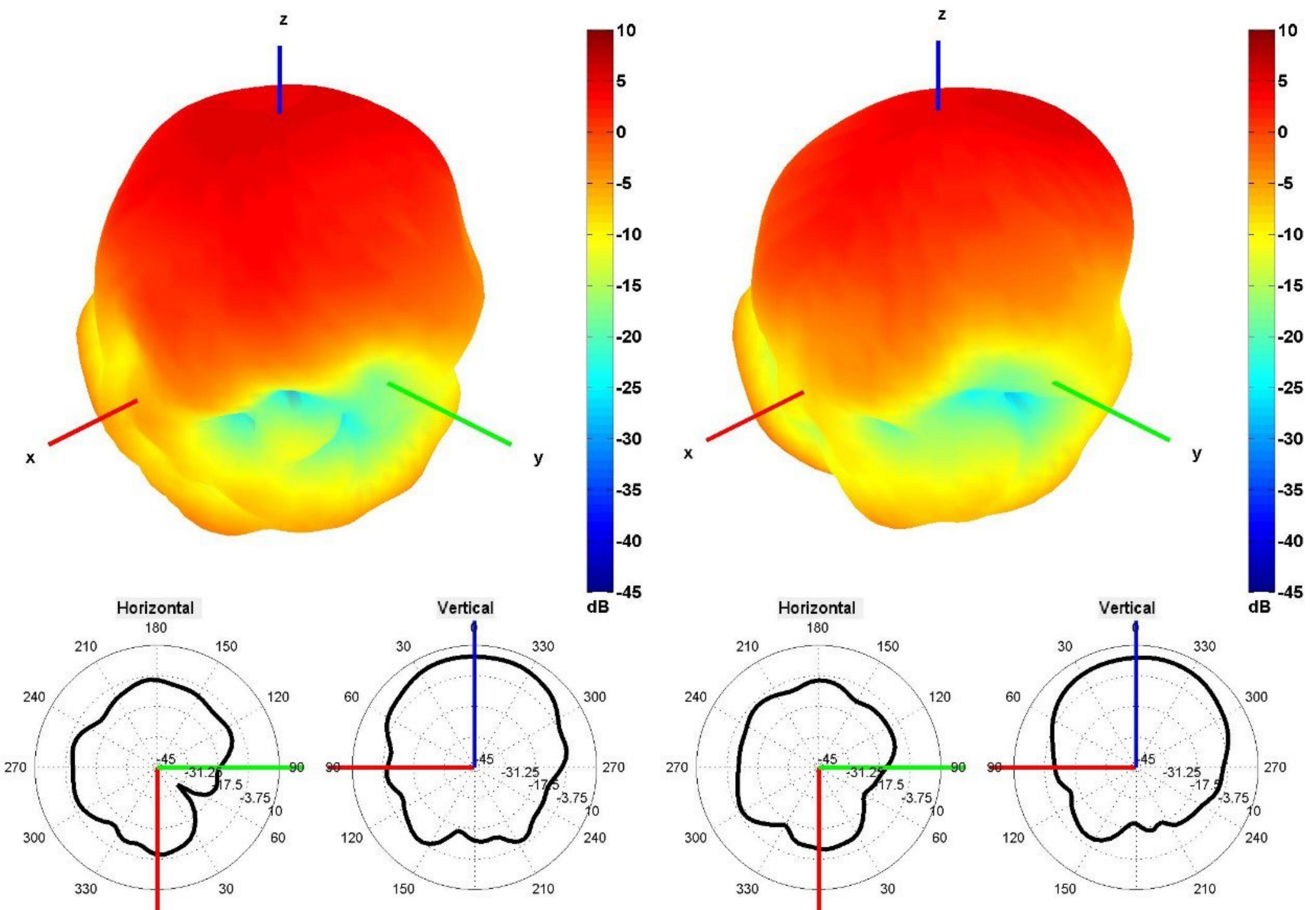
Cable 1: CELLULAR/LTE



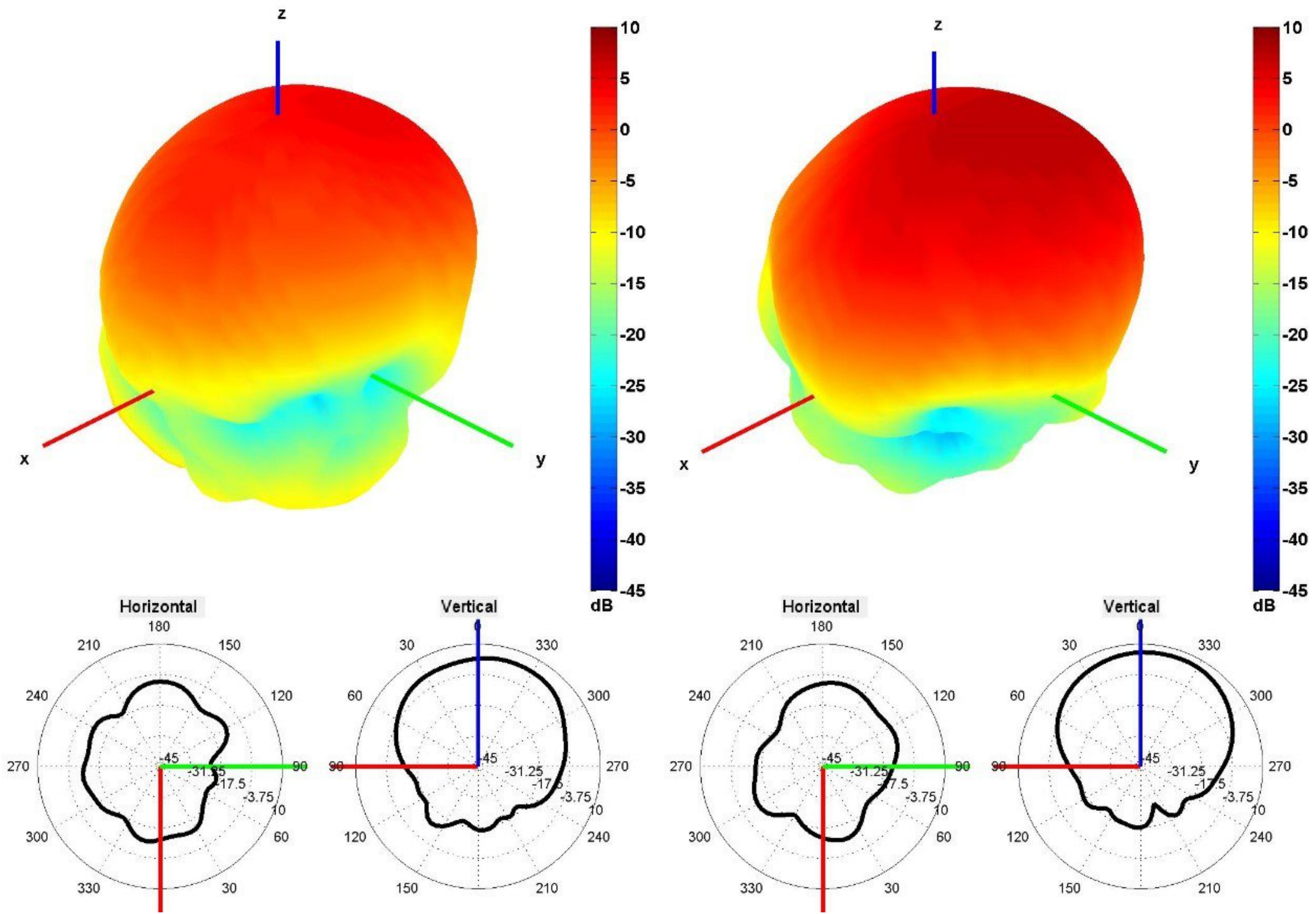
750 and 850 MHz Radiation pattern



940 and 1750 MHz Radiation pattern

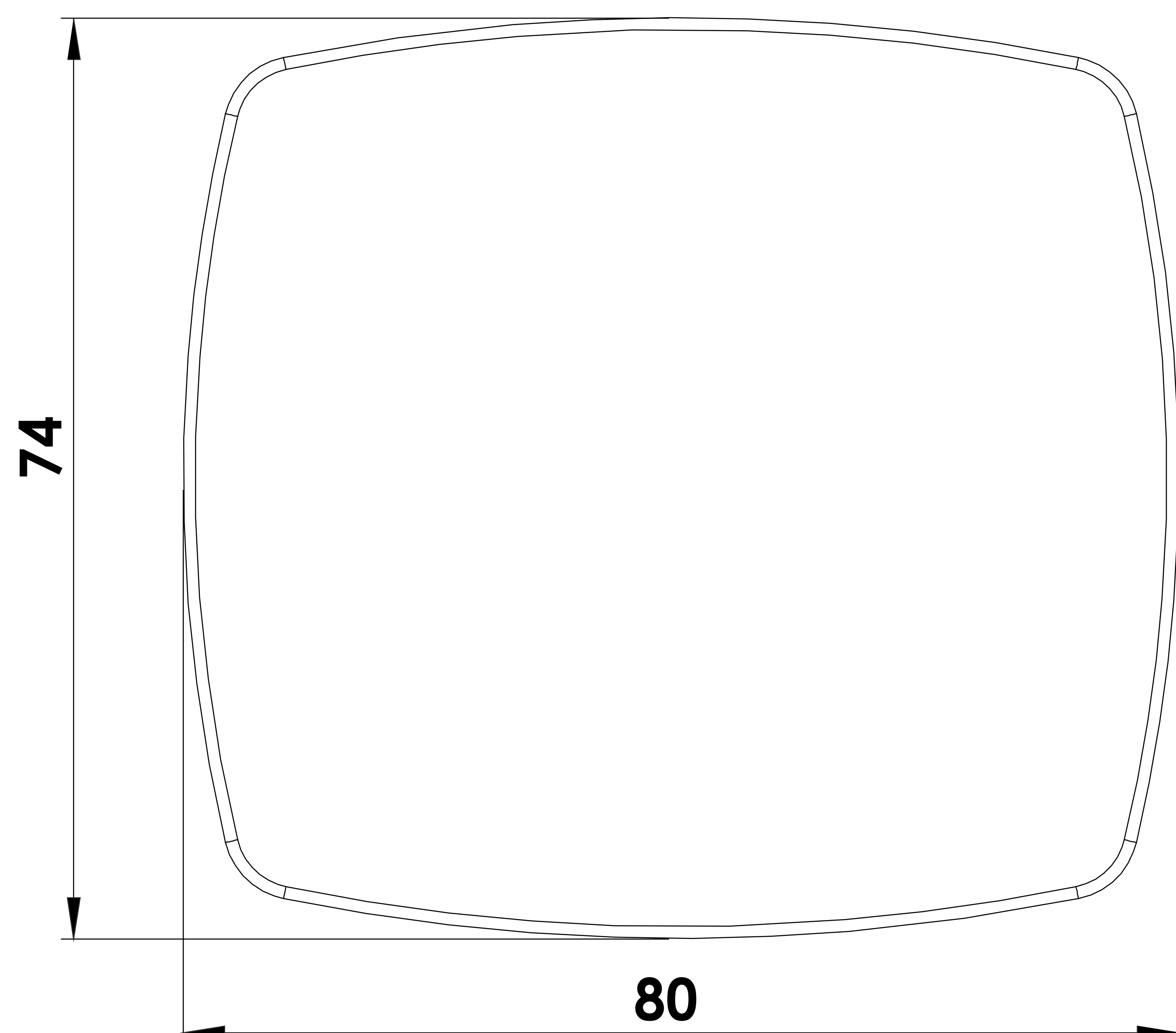
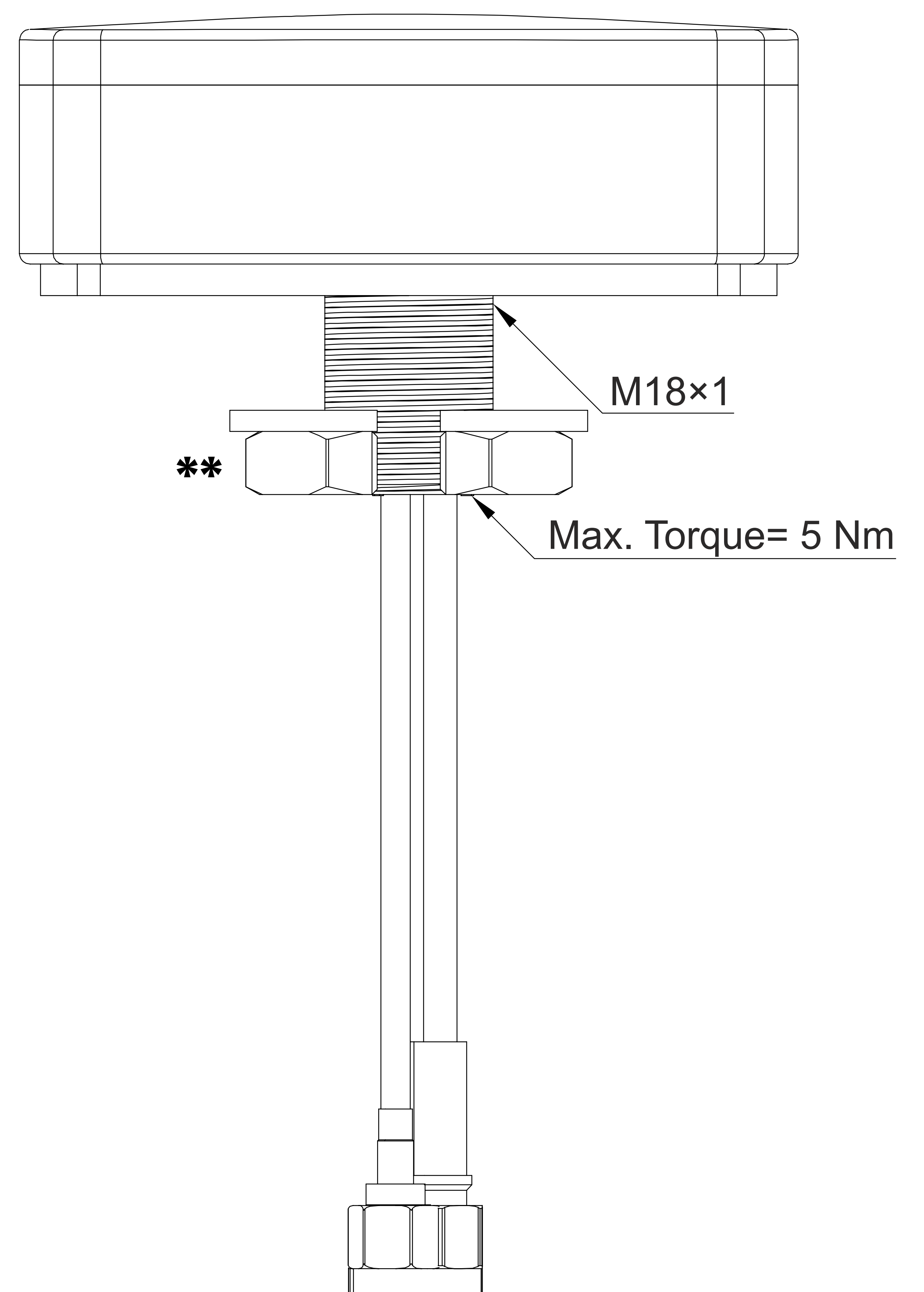
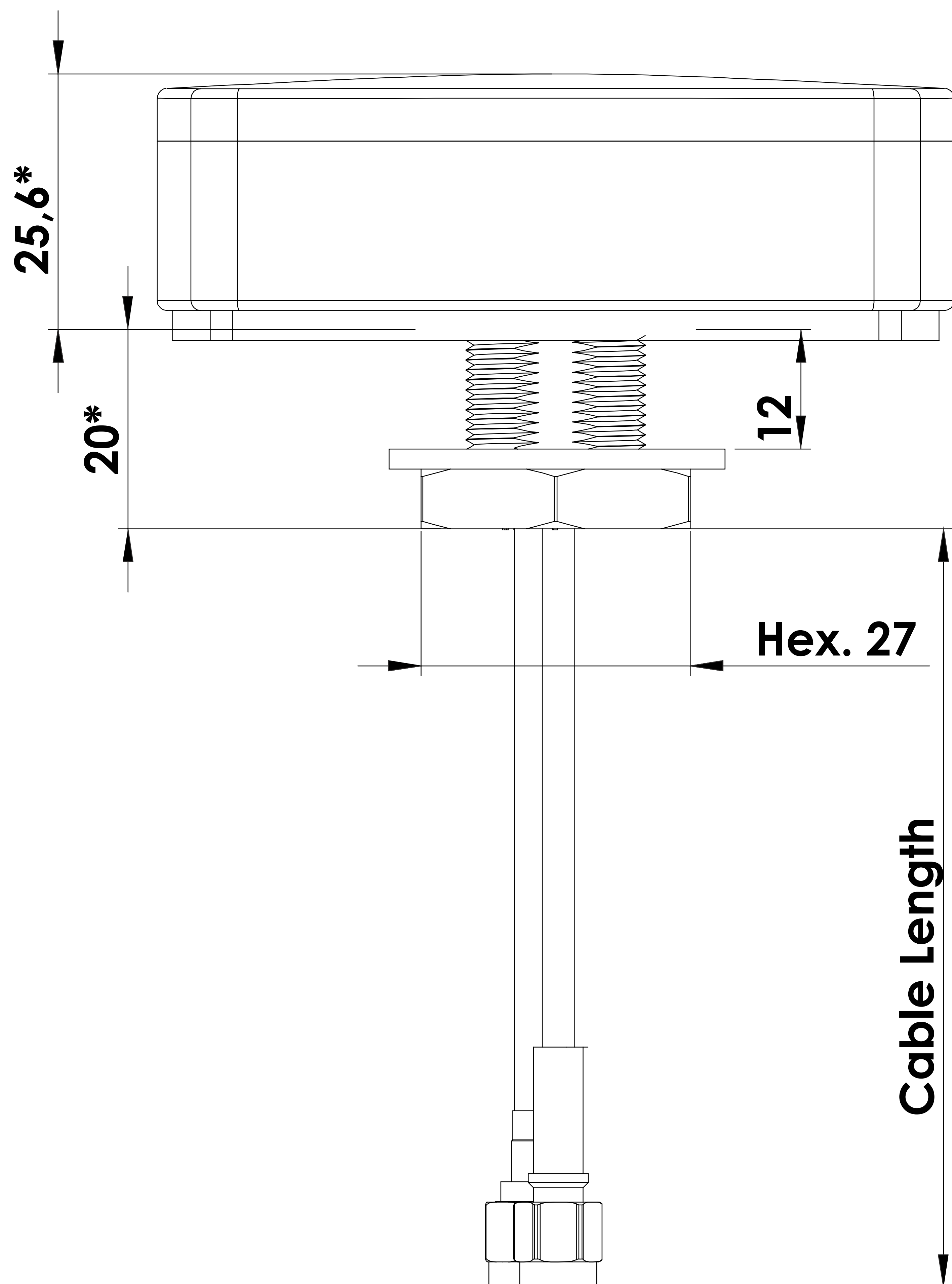


1850 and 1950 MHz Radiation pattern

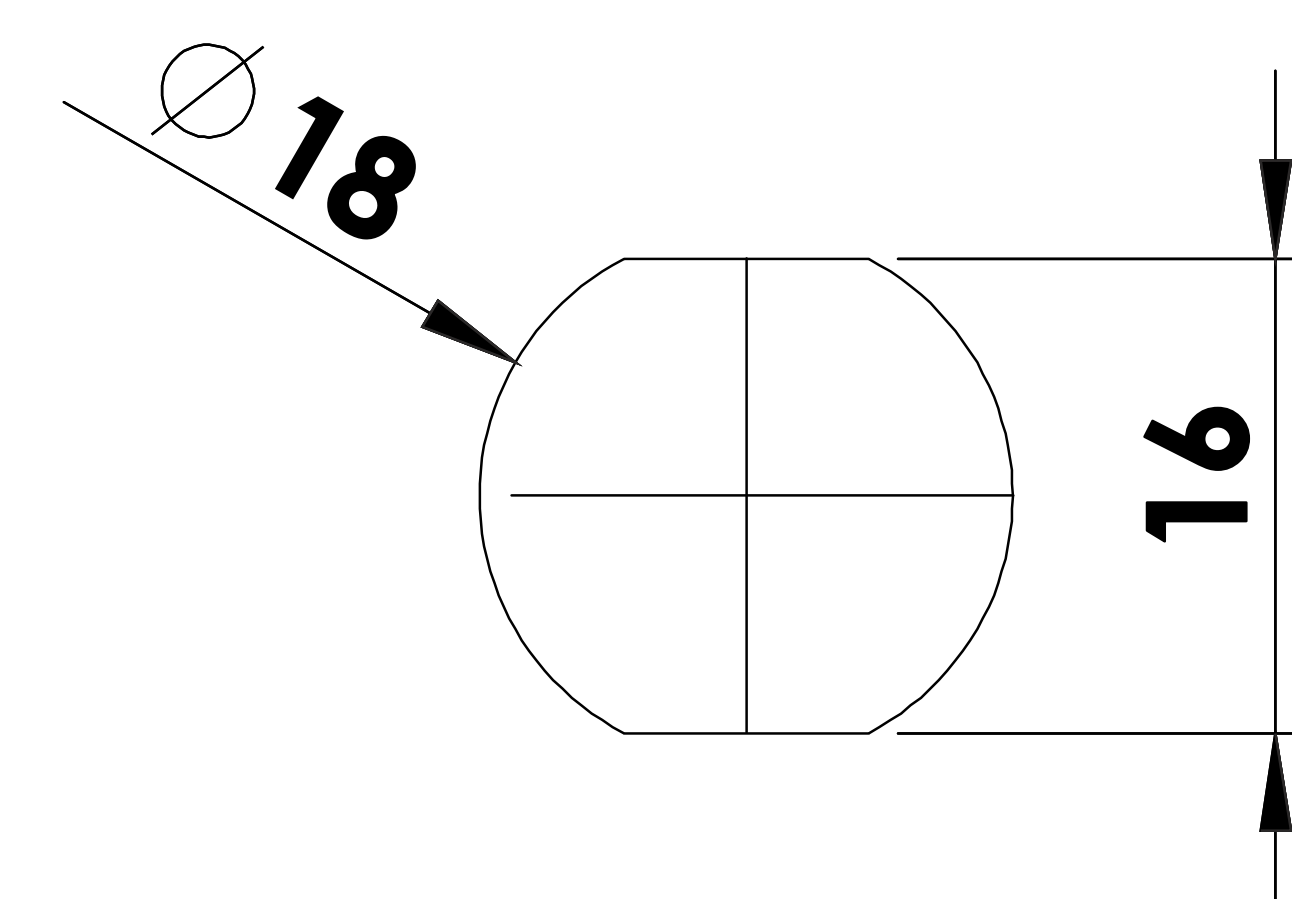


2100 and 2600 MHz Radiation pattern

4. Antenna drawings



Mounting hole



Max. mounting thickness 12mm
 Note: Dimensions are in millimeters
 *Dimensions are after mounting
 **Max. Torque= 5 Nm

5. Antenna Images

