

2J6726B

IRIDIUM Screw Mount

Key Features

IRIDIUM

- 1616-1627 MHz

Screw Mount

Iridium Certified

Ground Plane Independent

Customizable Cable and Connector

Dimensions \varnothing 77.3 × 36.5 mm

Certificates IP67, IP69K, IK09



1. Antenna and electrical specifications

Parameters	IRIDIUM Antenna
Standards	Iridium
Bands (MHz)	1621
Frequency (MHz)	1616-1627
Return Loss (dB)	~-18.8
VSWR	~1.2:1
Efficiency (%)	~76
Peak Gain (dBiC)	~4.5
Average Gain (dB)	~-1.1
Impedance (Ohm)	50
Axial Ratio (dB)	3 Max
Radiation Pattern	Hemispherical
Polarization	RHCP
Connector Type	SMA-Male Standard (Other Connectors Available)
Cable Length (m)	300cm Standard (Any Cable Length Available)
Cable Type	LMR100 Standard (Other Cables Available)

Antenna Measurement Conditions:

Free Space

150cm of Cable LL195

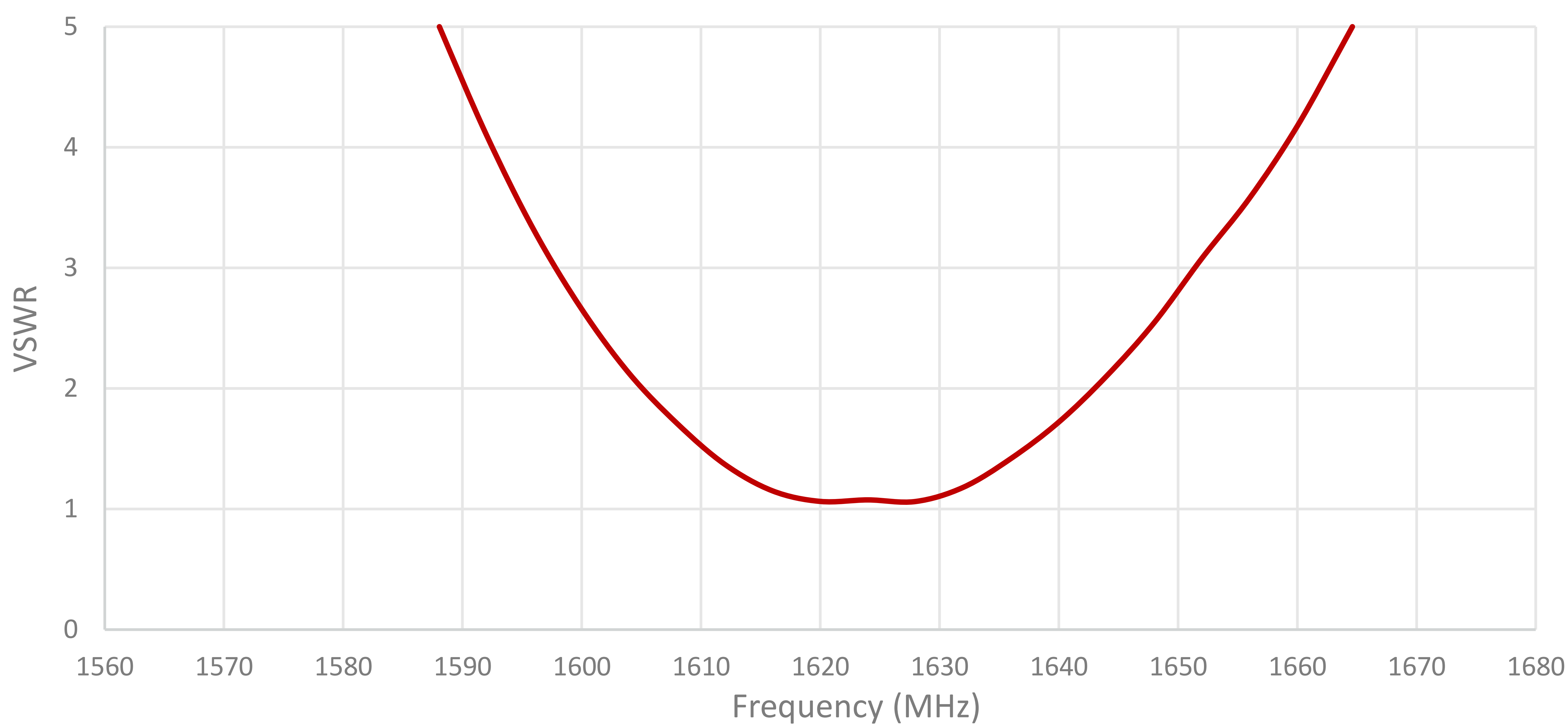
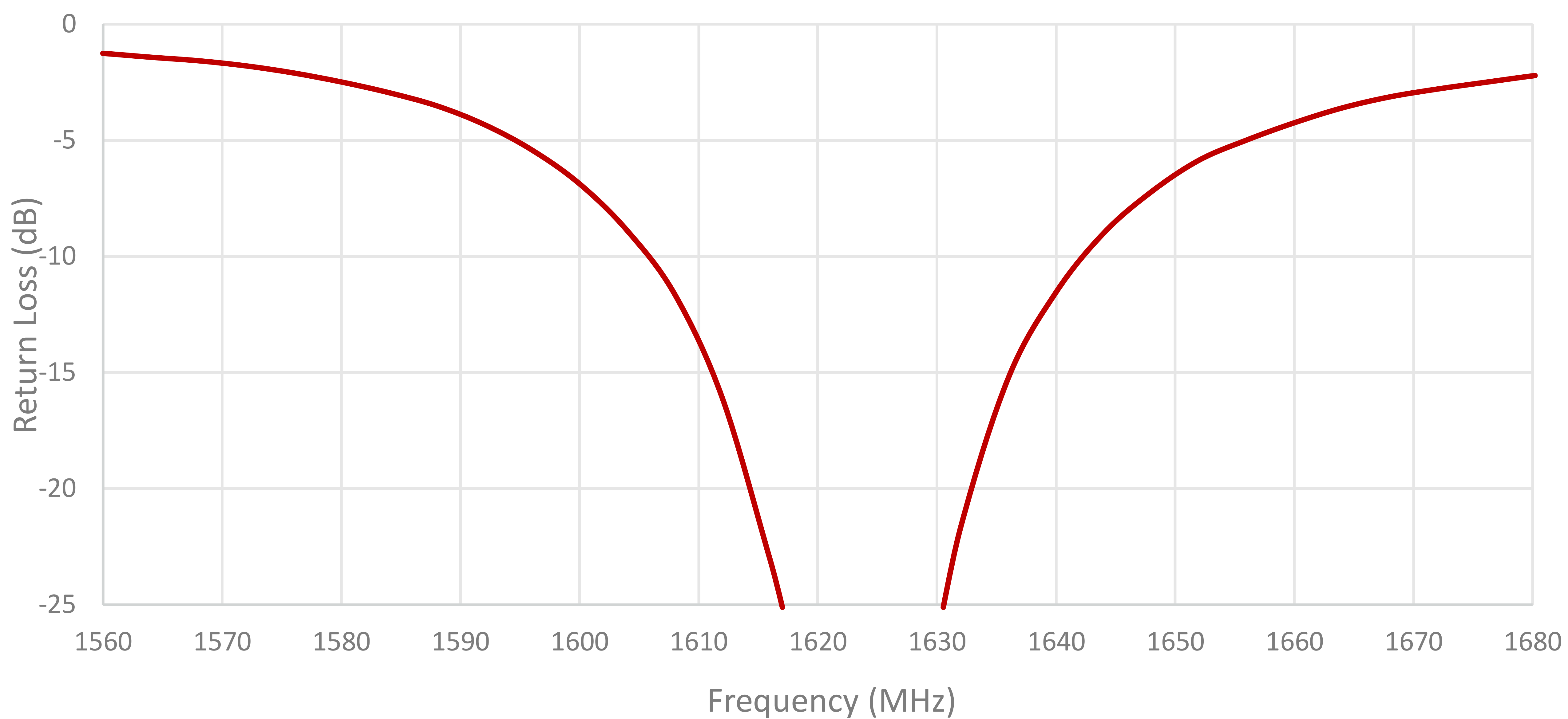
Measured in Certified CTIA 3D Anechoic Chamber

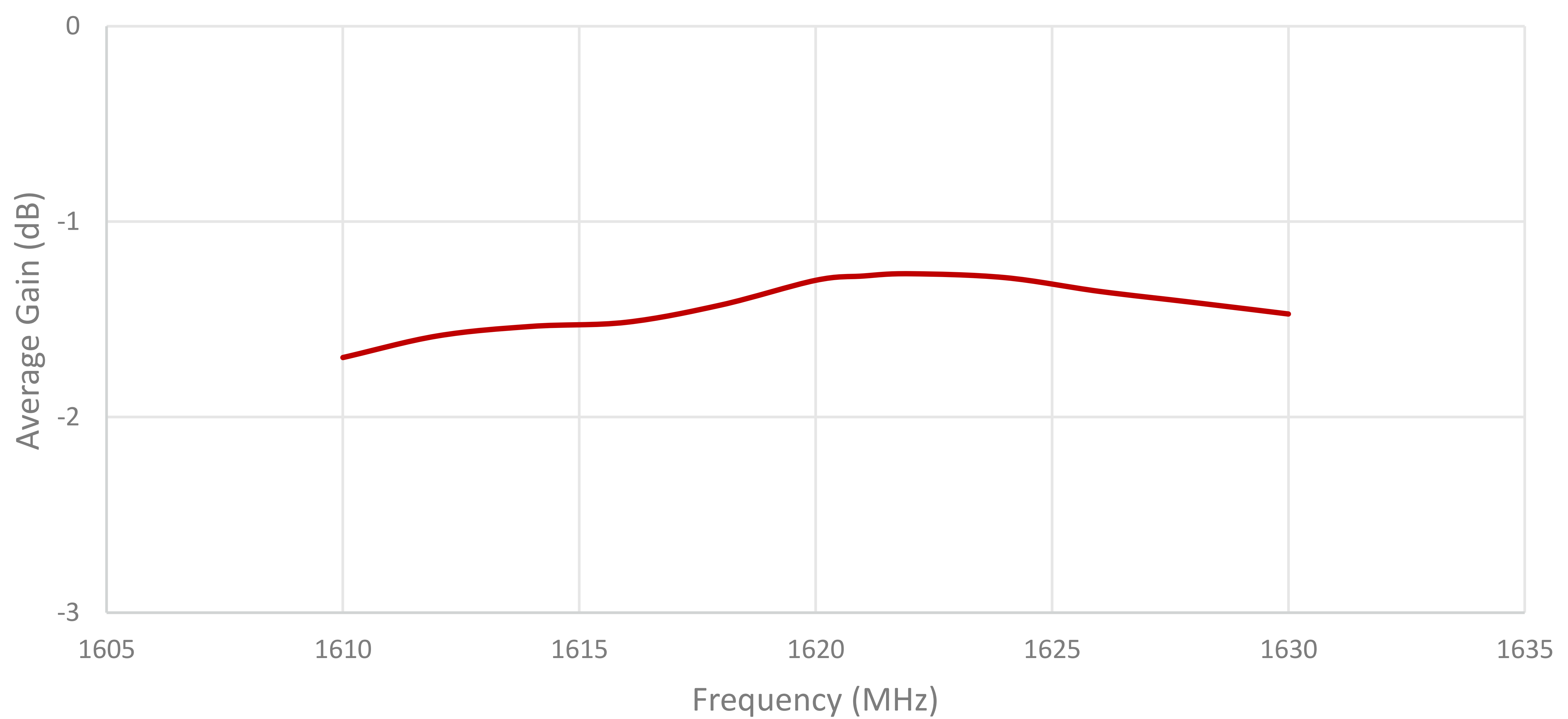
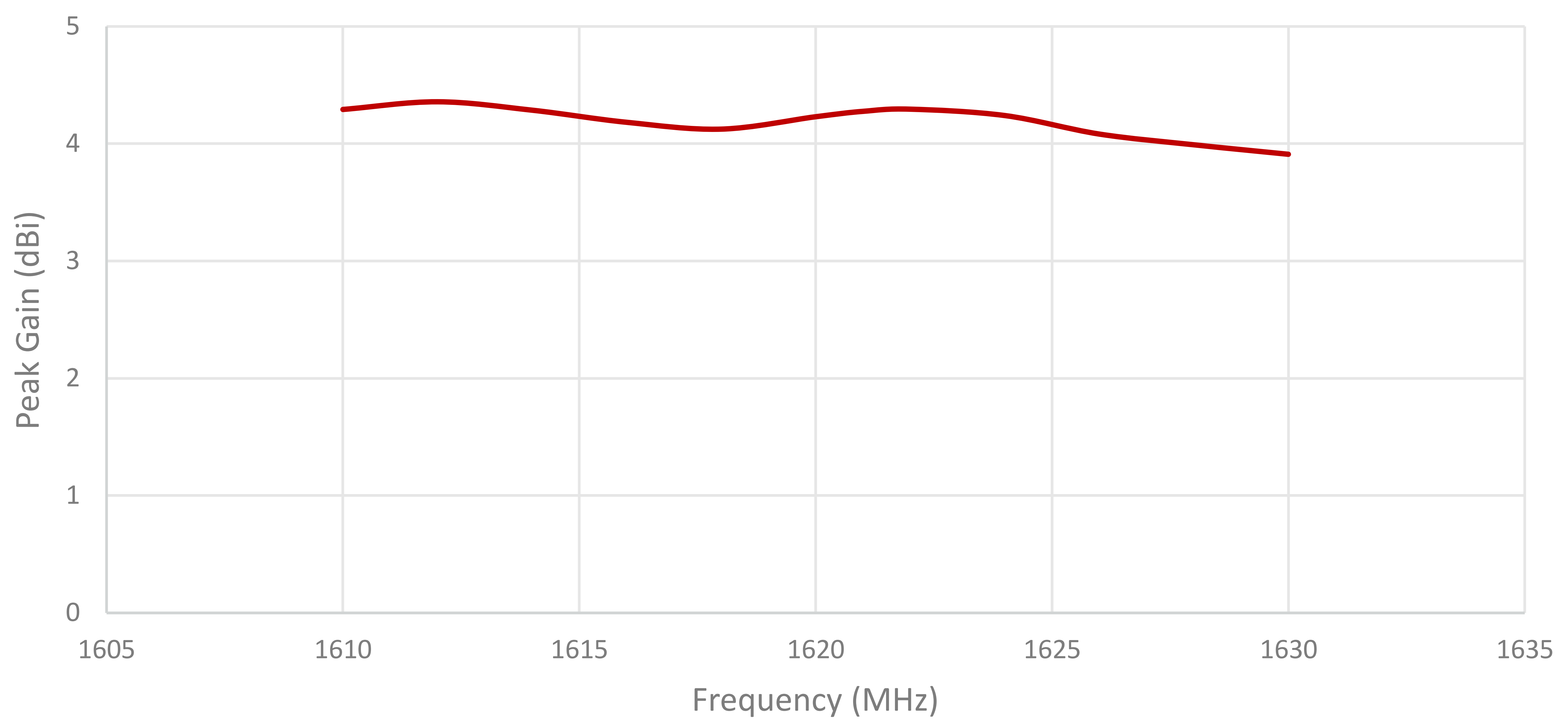
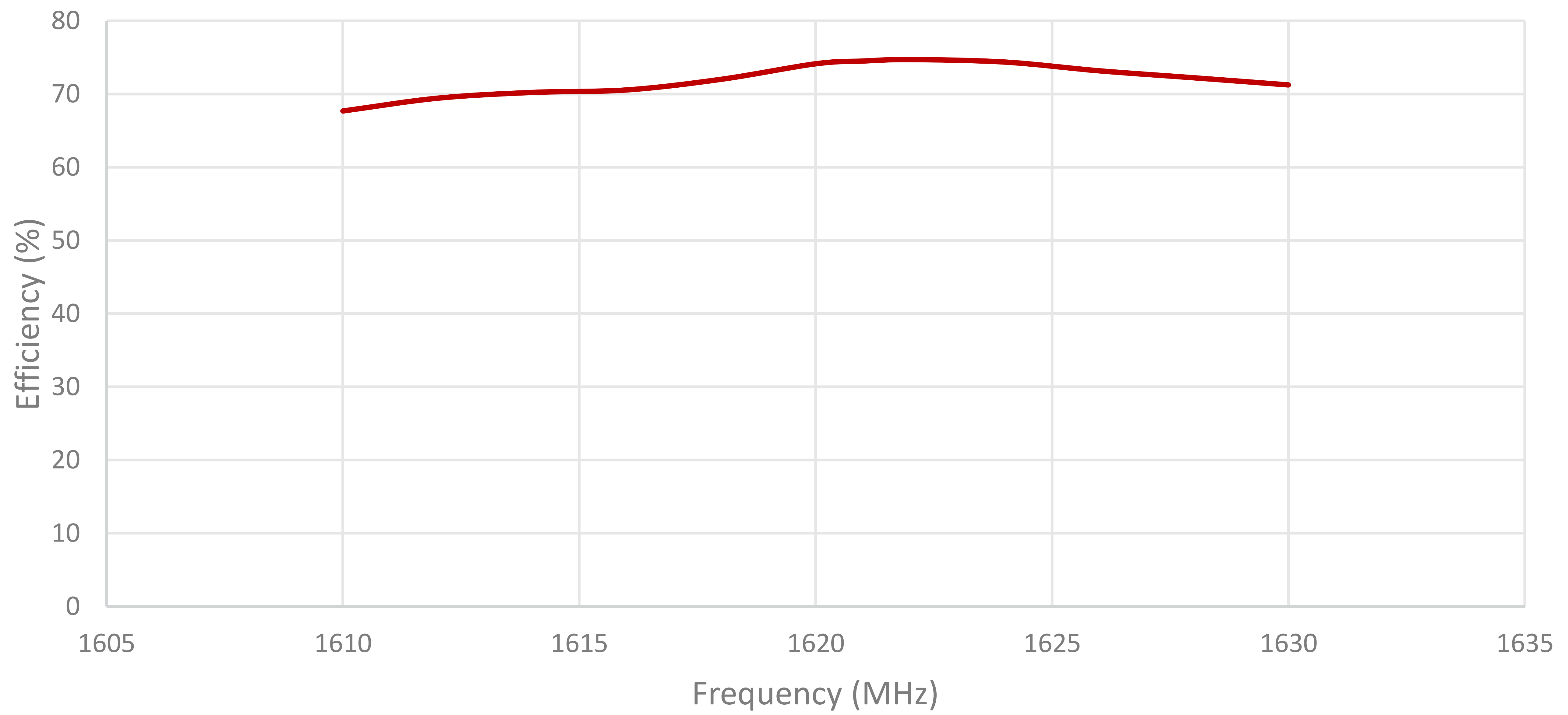
2. Mechanical and environmental specifications

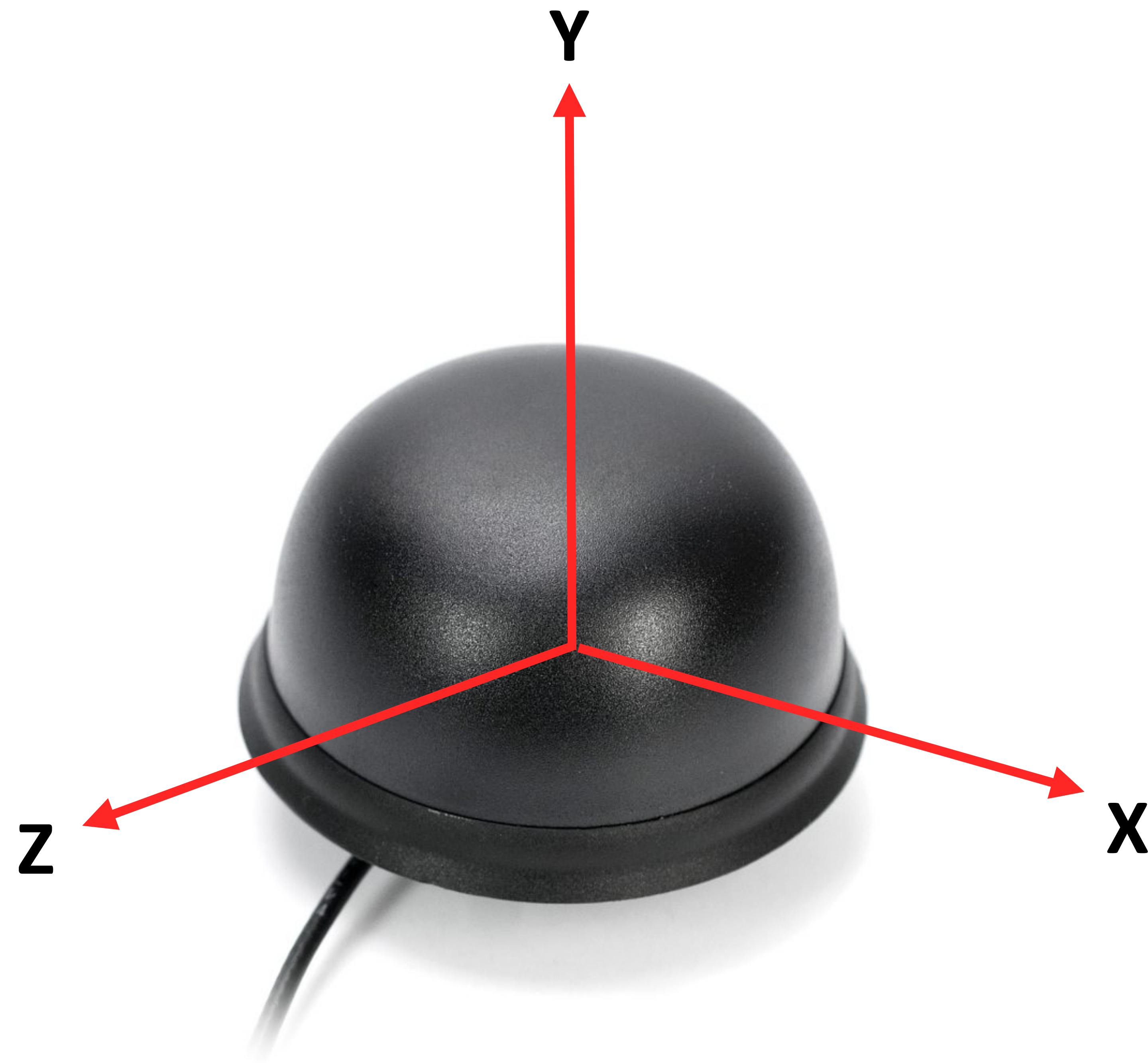
Specifications	2J6726B
Mounting Type	Screw Mount
Dimensions (mm)	Ø 77.3 × 36.5
Max. Tighten Torque (Nm)	6 Nm
Radome Type	ABS or ASA
Radome Color	Black
Gasket	TPE
Antenna Base	Zamak
Operating Temperature (C)	-40 to +85
Storage Temperature (C)	-40 to +85
Certificates	Iridium Certified, IP67, IP69K, IK09
Substance Compliance	RoHS

3. Antenna parameters

Cable 1: IRIDIUM

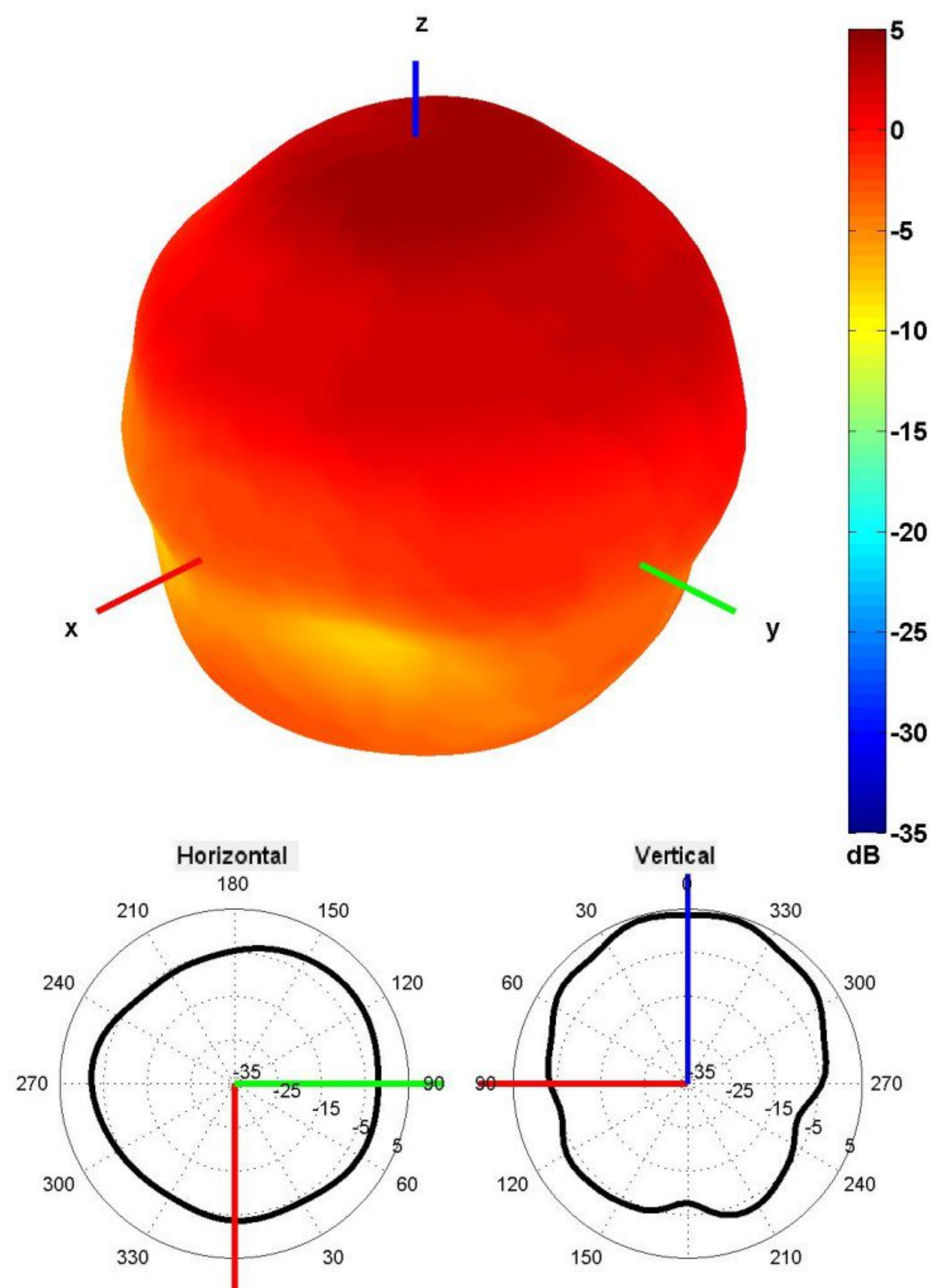






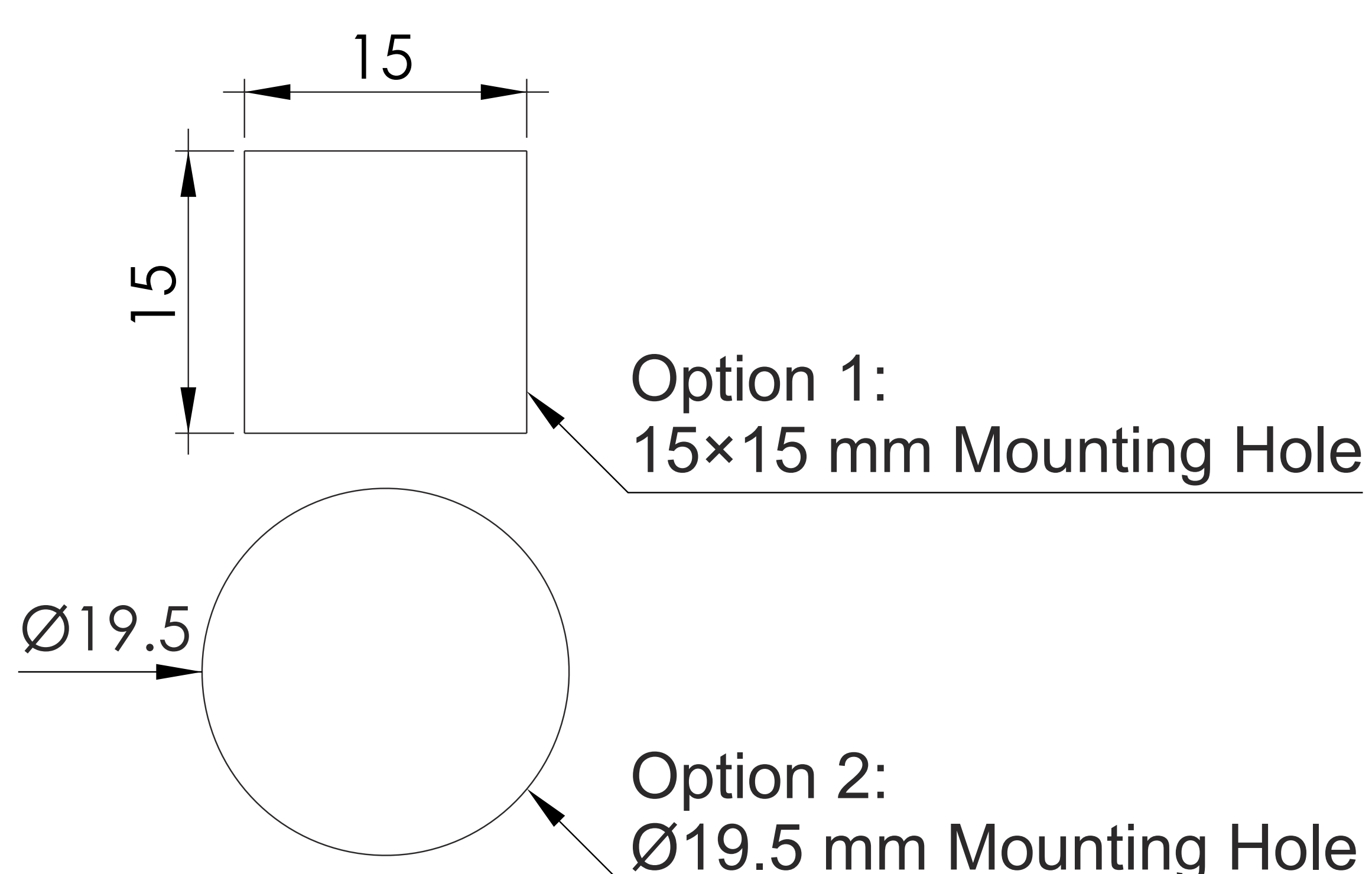
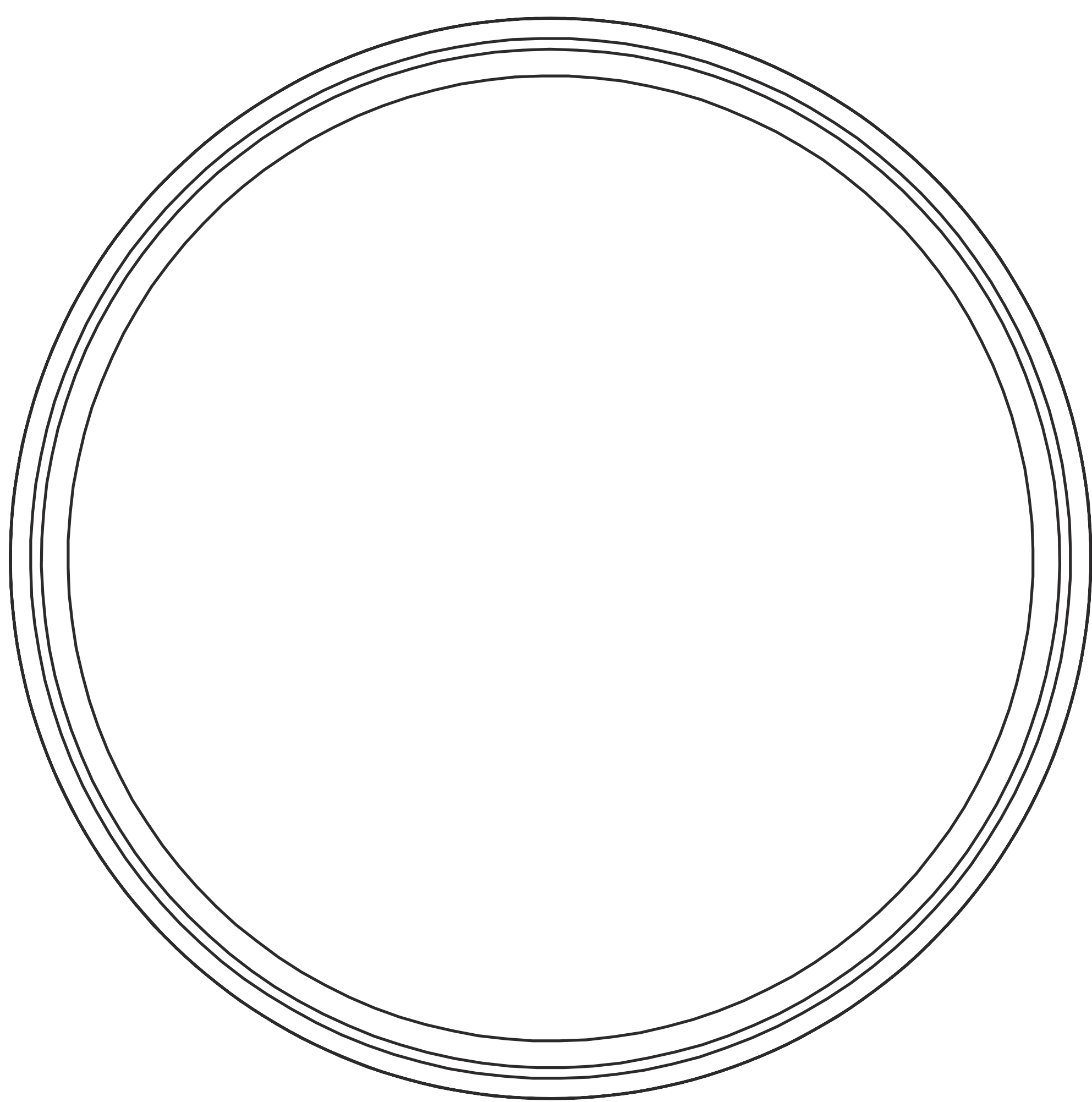
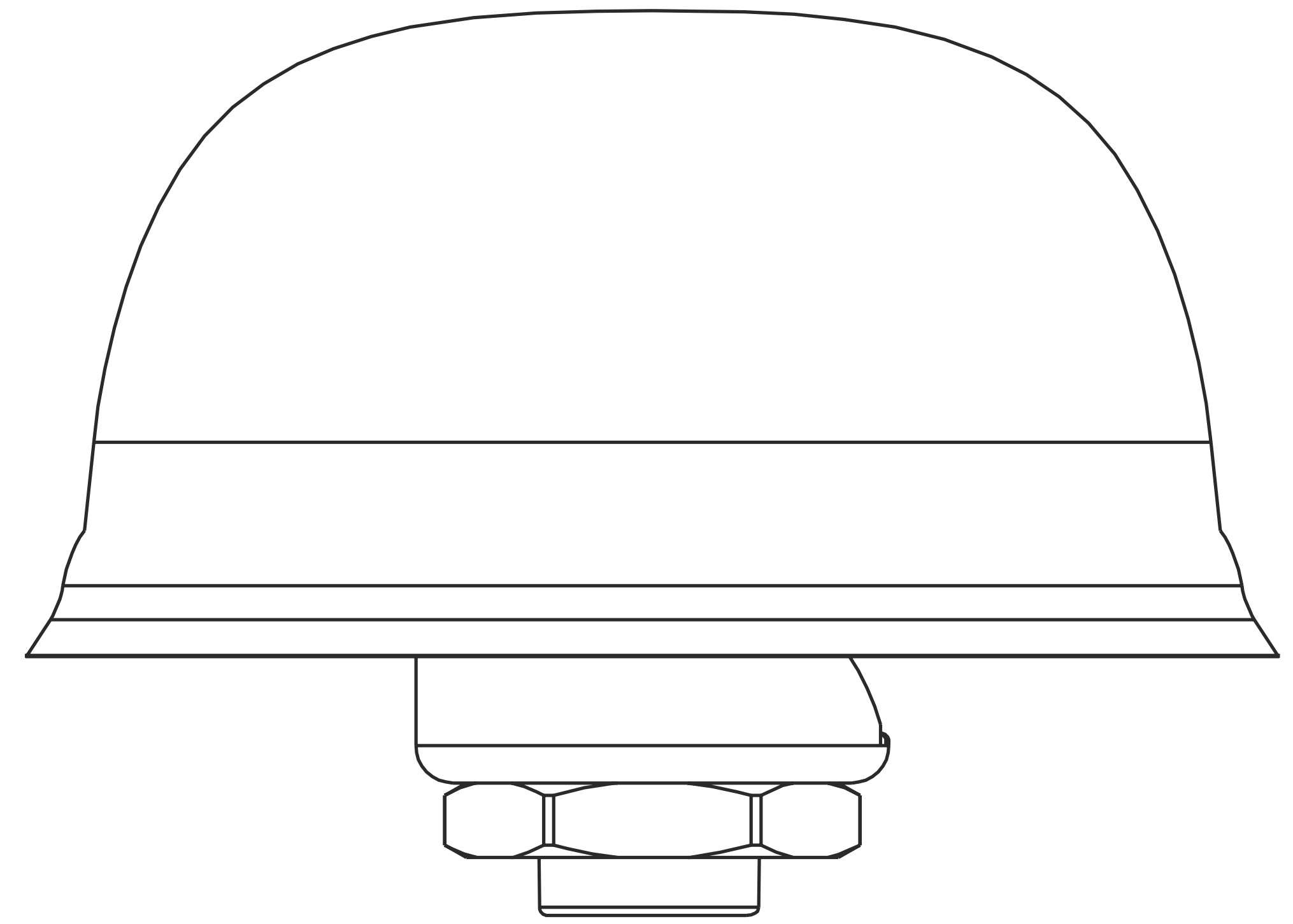
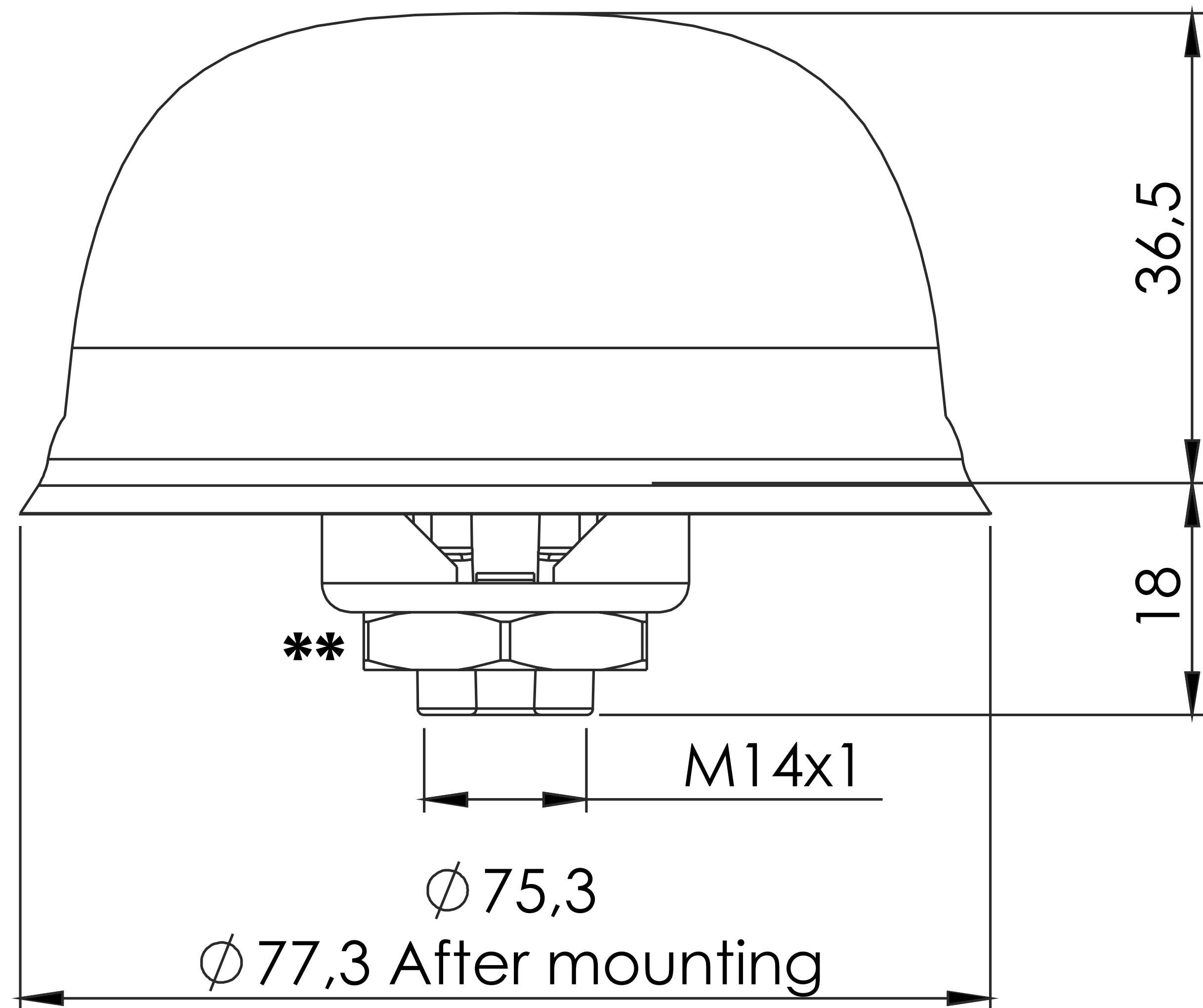
Radiation pattern reference

Cable 1: IRIDIUM



1621 MHz Radiation pattern

4. Antenna drawings



Note: Dimensions are in millimeters
*Dimensions are after mounting
**Max. Torque= 6 Nm

5. Antenna Images



 **iridium**[®]
Certified