

# 2J6033MGF

## (DATASHEET)

<b>Type</b>	Combined antenna
<b>Frequencies</b>	GPS/GLONASS (1572-1610 MHz) IRIDIUM (1616 - 1626 MHz)
<b>Mounting</b>	Magnetic Mount
<b>Revision</b>	00



*Tipul*  
P. Tipul

# 1. SPECIFICATION

## 1.1. *Electrical Specifications*

### **Iridium** (Cable 1):

Frequencies	IRIDIUM (1616 - 1626 MHz)
Impedance	50 Ohms
Polarization	RHCP
Gain	3 dBiC
VSWR	<1.5:1

### **GNSS** (Cable 2):

Frequencies	GPS/GLONASS (1572-1610 MHz)
Impedance	50 Ohms
Polarization	RHCP
LNA Gain	23dB at 3V, 24dB at 5V
VSWR	<1.2:1
Voltage supply	2.7V - 5.5V
Current	15mA - 25mA
Power (max.)	138mW

### **General**

Operating temperature	-40°C to +85°C
-----------------------	----------------

## 1.1. *Connection Specifications*

### **1.1.1. Iridium**

Cable type:	LMR100
Cable length:	1.5m
Connector type:	SMA male

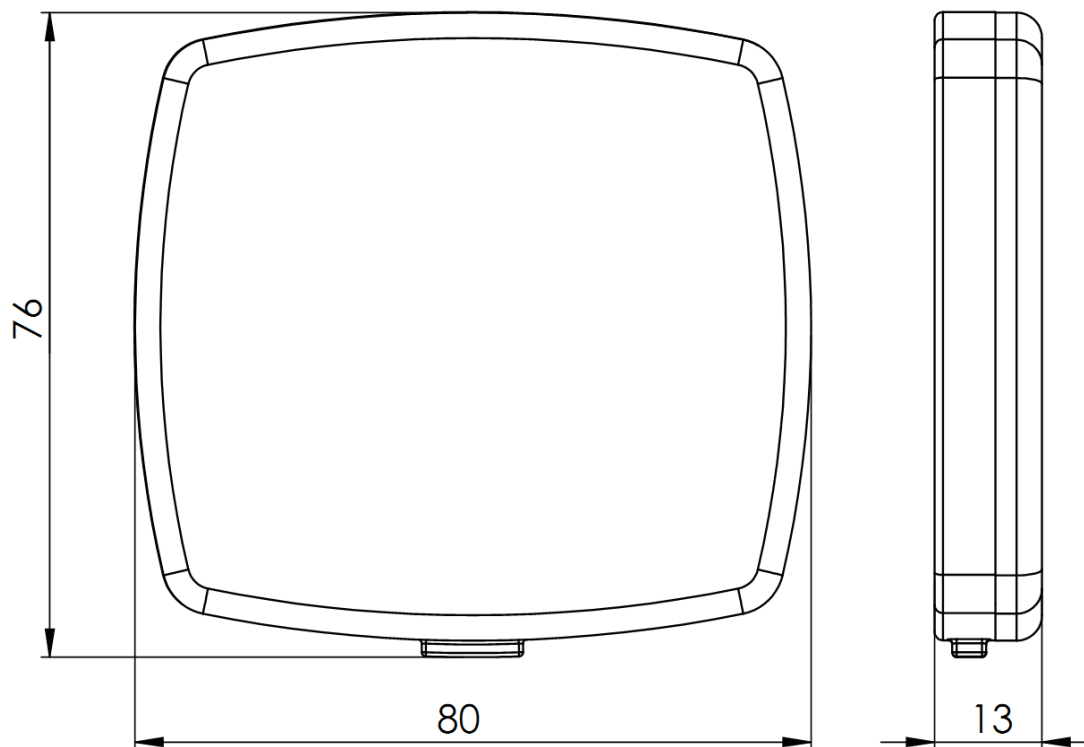
### **1.1.1. GNSS**

Cable type:	RG174
Cable length:	1.5m
Connector type:	SMA male

## 1.2. Mechanical Specifications and Dimensions

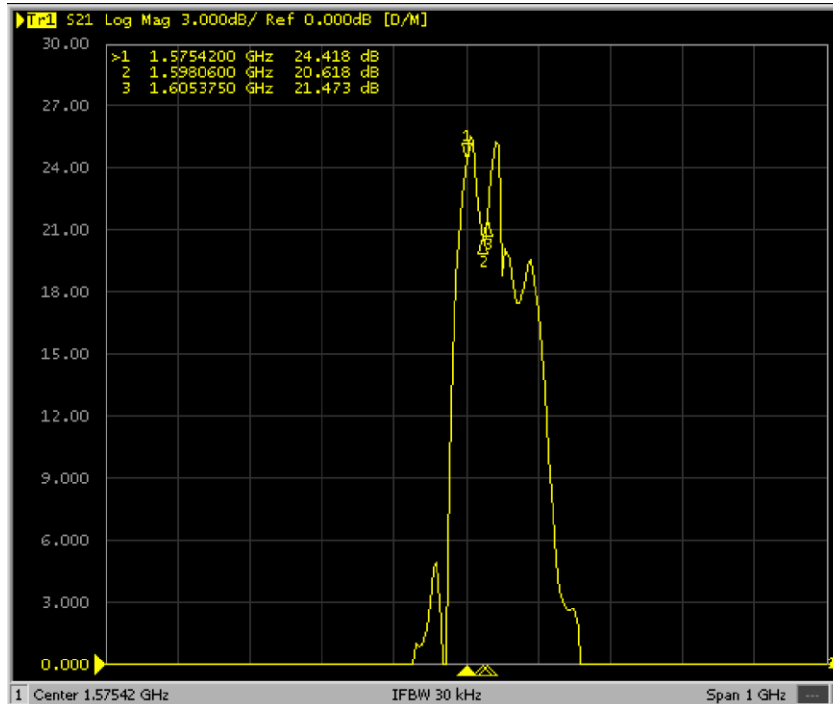
### 1.2.1. Mechanical Specification

Material:	ABS
Max. dimensions:	13mm x 80mm x 76mm (H x L x W)
Colour:	Black (for different colours please ask our sales team)

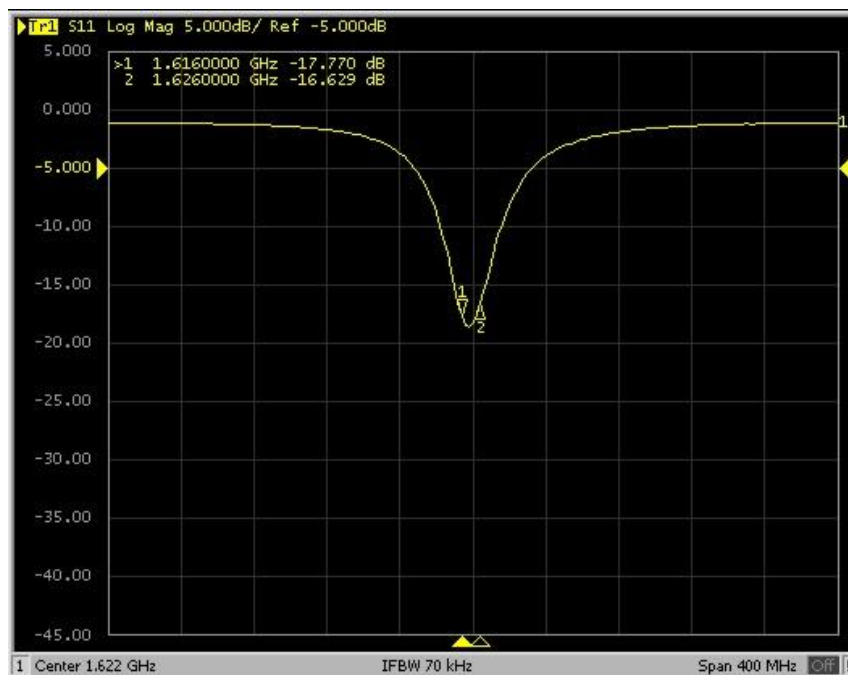


## 2. MEASUREMENT

GPS/GLONASS at 3V:



IRIDIUM:



### 3. IMAGES

