

# 2J6026B

## IRIDIUM Screw Mount

### Key Features

#### IRIDIUM

- 1616-1627 MHz

**Iridium Certified**

Screw Mount

Low Profile

High Performance

Ground Plane Independent

Customizable Cable and Connector

Dimensions 80 x 74 x 14.7 mm

Certificates: IP67



**Note:** 19mm Thread is Default Option. See Drawing for other Thread Options available.



## 1. Antenna and electrical specifications

Cable 1	
Parameters	Iridium Antenna
<b>Standards</b>	Iridium
<b>Band (MHz)</b>	1621
<b>Frequency (MHz)</b>	1616-1627
<b>Return Loss (dB)</b>	~-15.6
<b>VSWR</b>	~1.4:1
<b>Efficiency (%)</b>	~70
<b>Peak Gain (dBic)</b>	~3.5
<b>Average Gain (dB)</b>	~-1.1
<b>Impedance</b>	50
<b>Axial Ratio (dB)</b>	3 max
<b>Radiation Pattern</b>	Hemispherical
<b>Polarization</b>	RHCP
<b>Connector Type</b>	SMA-Male Standard (Other Connectors Available)
<b>Cable Length</b>	300 cm Standard (Any Cable Length Available)
<b>Cable Type</b>	LL195 Standard (Other Cables Available)

### Antenna Measurement Conditions:

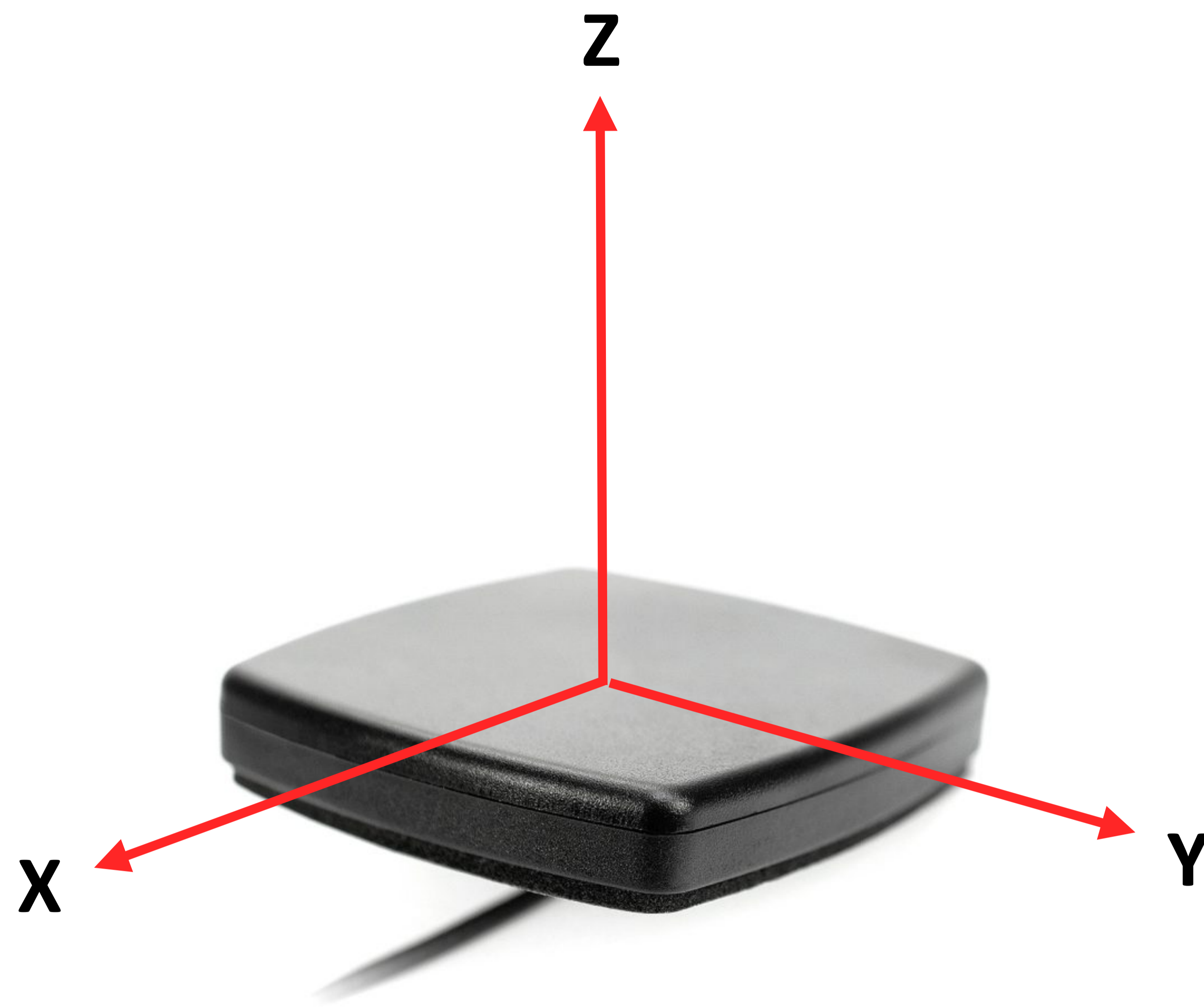
Mounted on 70 x 70 mm Ground Plane

No Cable

Measured in Certified CTIA 3D Anechoic Chamber

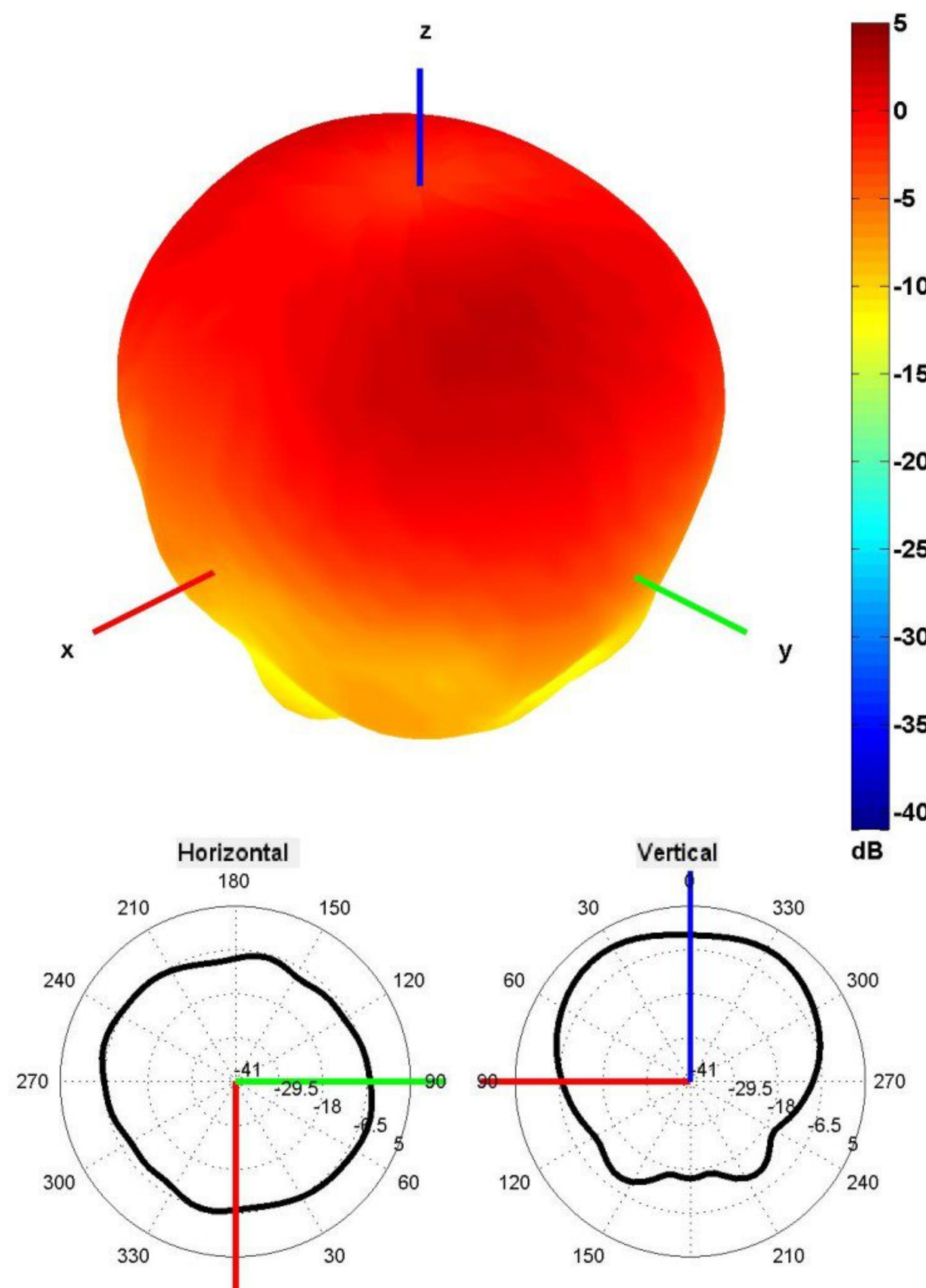
## 2. Mechanical and environmental specifications

Specifications	2J6026B
<b>Mounting Type</b>	Screw Mount
<b>Dimensions (mm)</b>	80 x 74 x 14.7
<b>Max. Tighten Torque (Nm)</b>	5 Nm
<b>Radome</b>	ABS
<b>Radome color</b>	Black
<b>Operating Temperature (C)</b>	-40 to +85
<b>Storage Temperature (C)</b>	-40 to +85
<b>Substance Compliance</b>	RoHS
<b>Certificates</b>	Iridium Certified, IP67



Radiation pattern reference

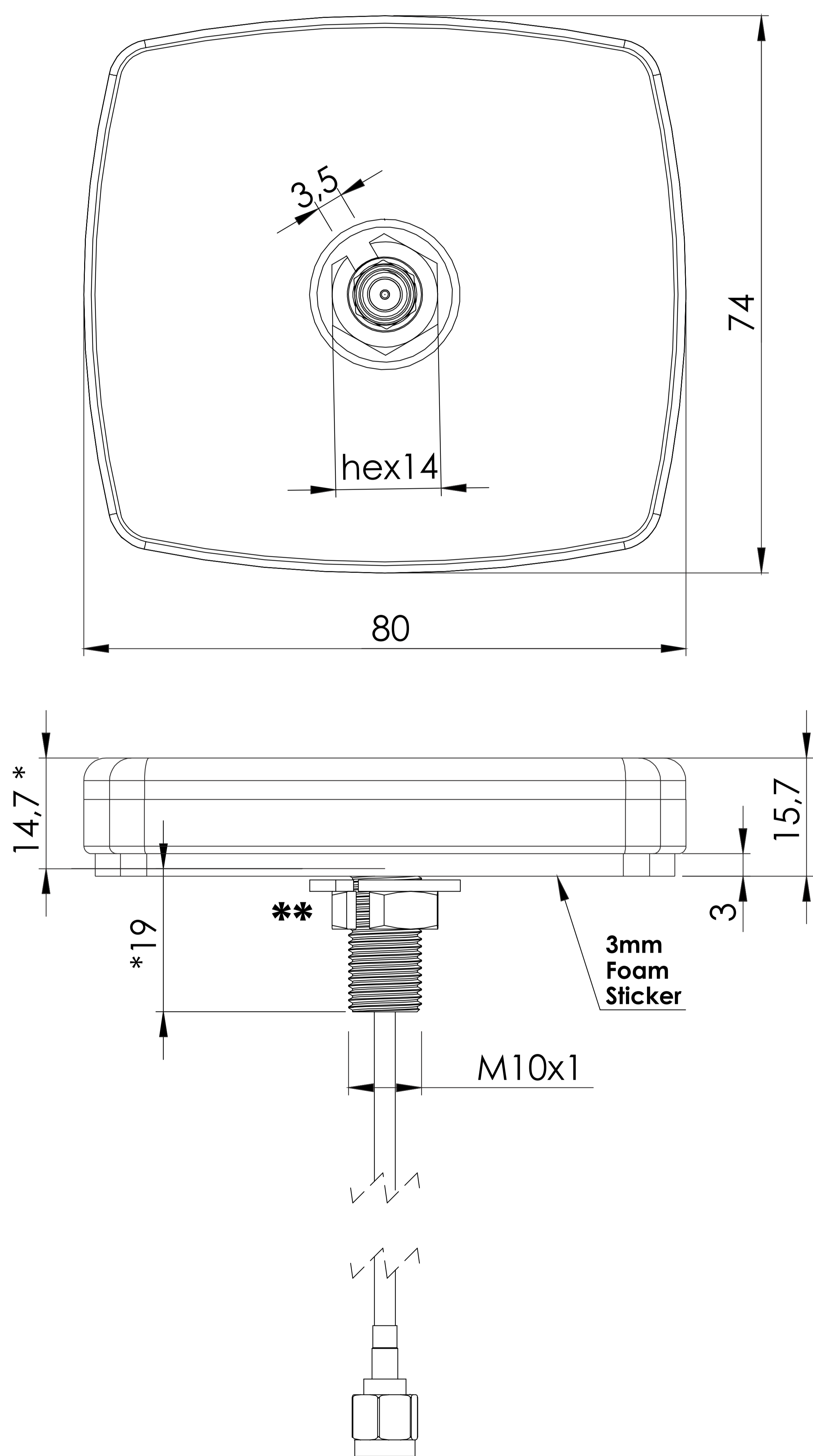
Cable 1: IRIDIUM



1621 MHz Radiation pattern

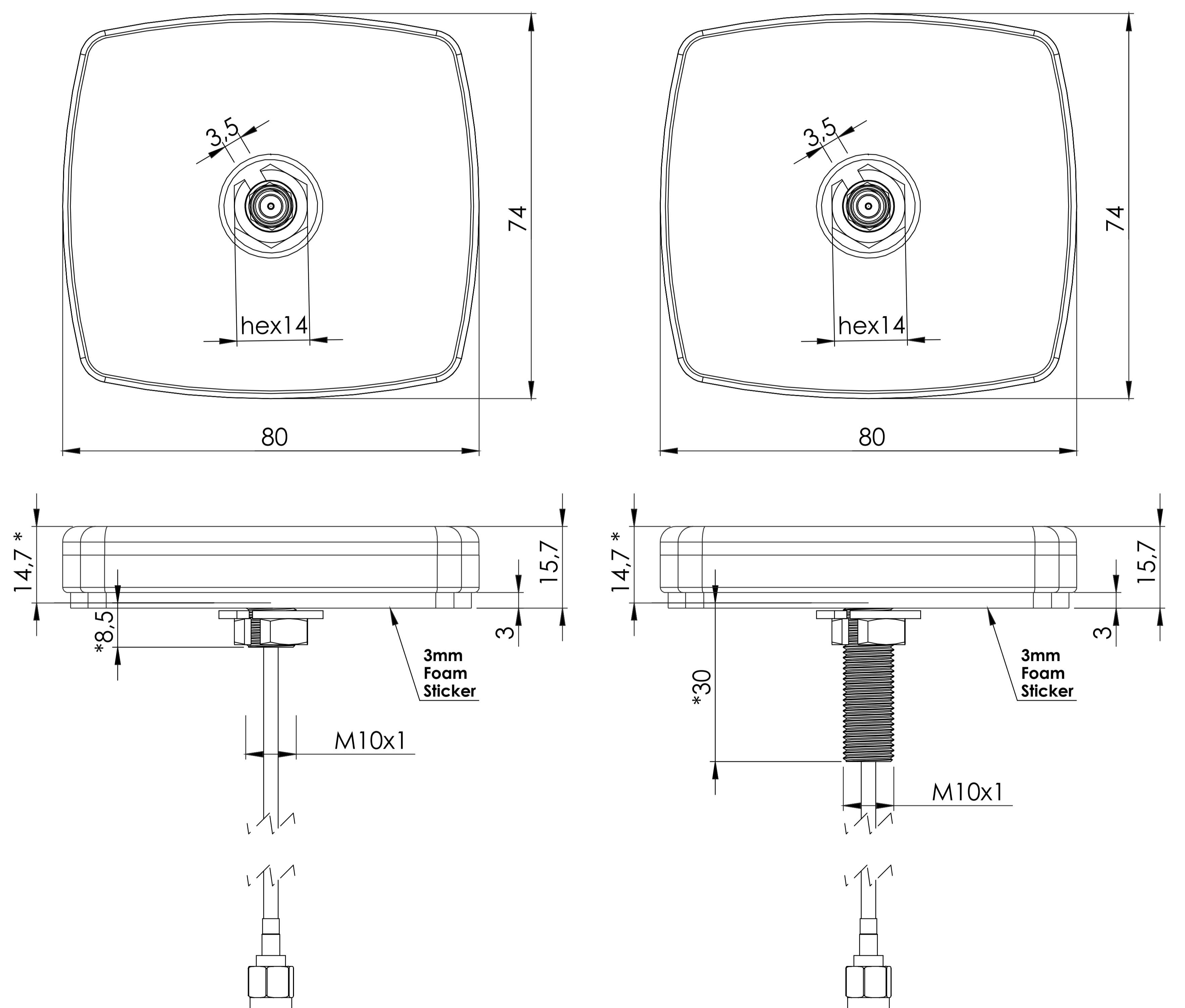
### 3. Antenna drawings

#### Default Thread Option



**2J6026B-TH19**  
19 mm Thread  
Default Option

#### Other Thread Options available



**2J6026B-TH8,5**  
8,5 mm Thread

**2J6026B-TH30**  
30 mm Thread

**\*Dimensions after mounting**

**\*\*Max Torque = 5 Nm**

## 4. Antenna Images

