



User instructions

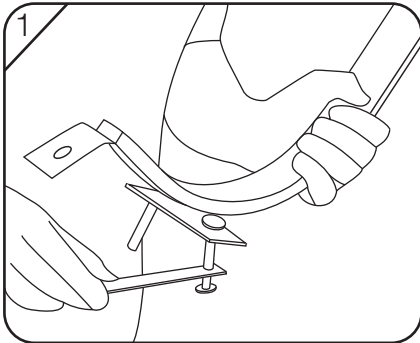
J'Bars RR175

Parts

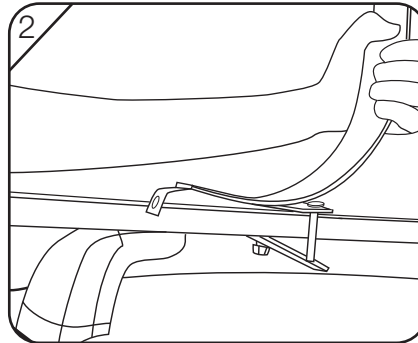
2 x M10 x 50 mm bolts
2 x M10 x 2 mm washer
2 x M10 x 10 mm locking nuts
2 x uprights with pads

Tools Required

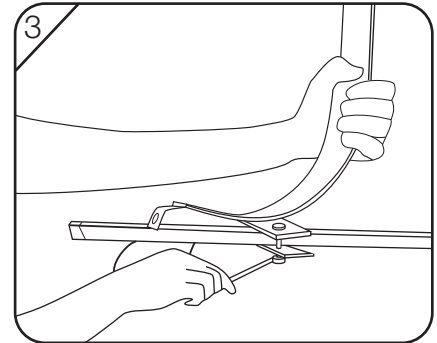
17 mm Spanner



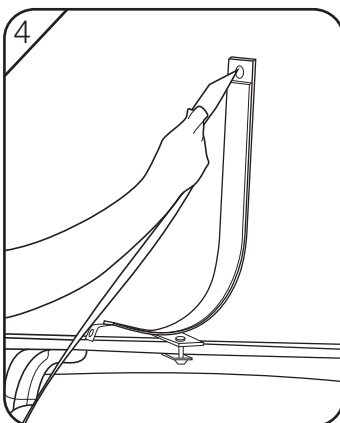
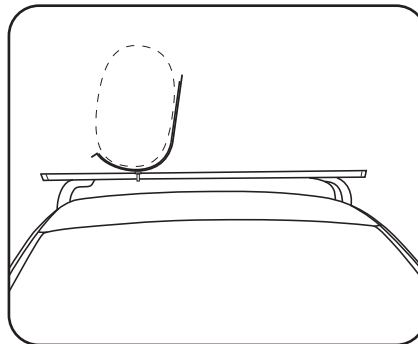
1
Remove the nut and washer from one side



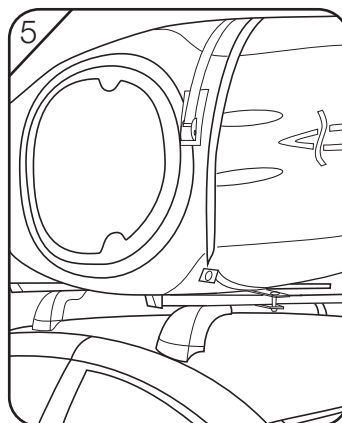
2
Place the upright onto your roof bars. Tighten both sides equally until secure. Do not over tighten



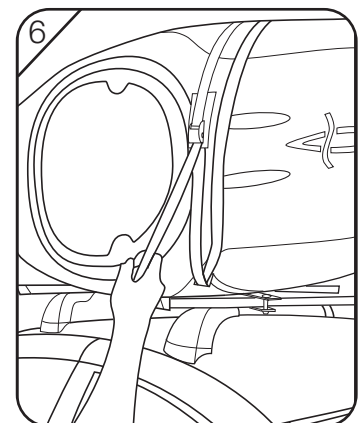
3
The roof bar thickness must be no more than 28 mm this will ensure the nuts lock securely



4
Feed your cam strap through eyelet on the upright



5
Place the boat on your roof bars with the hull facing the upright



6
Pull the cam strap tight and tidy the ends

i Note: Please refer to your vehicle and roof bar manual for safe loading weight limits. The rack load is always the responsibility of the driver.