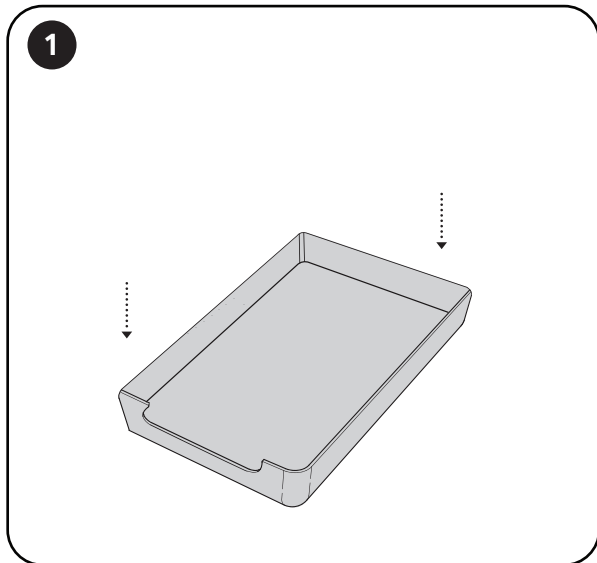
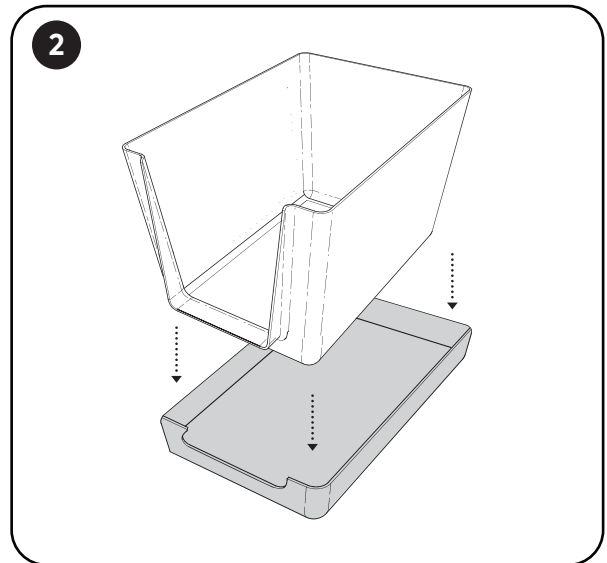


Doggy Bathroom

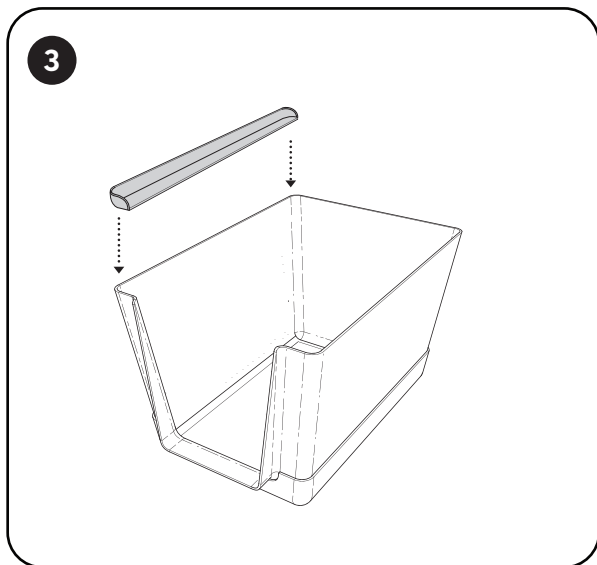
Installation & Maintenance



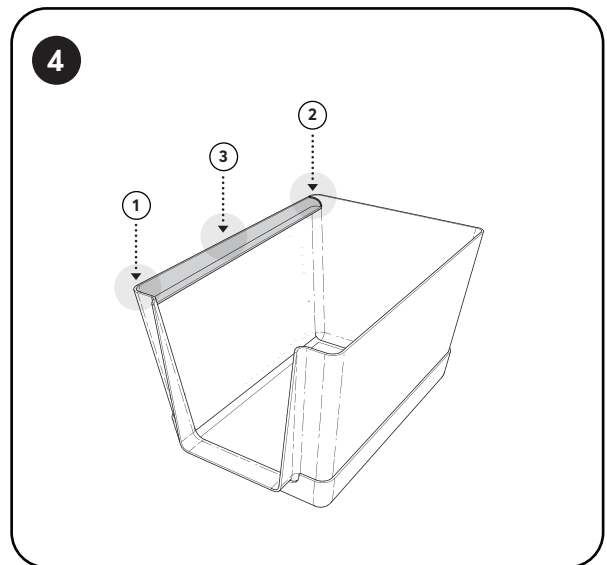
Position base in the desired location.



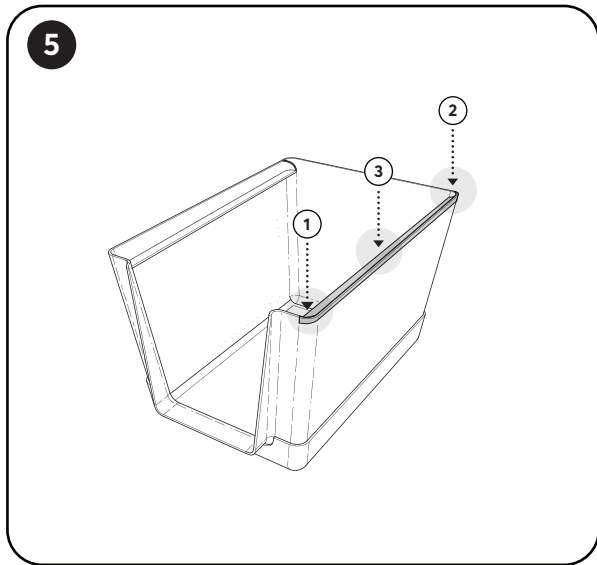
Place the Doggy Bathroom inside the base.



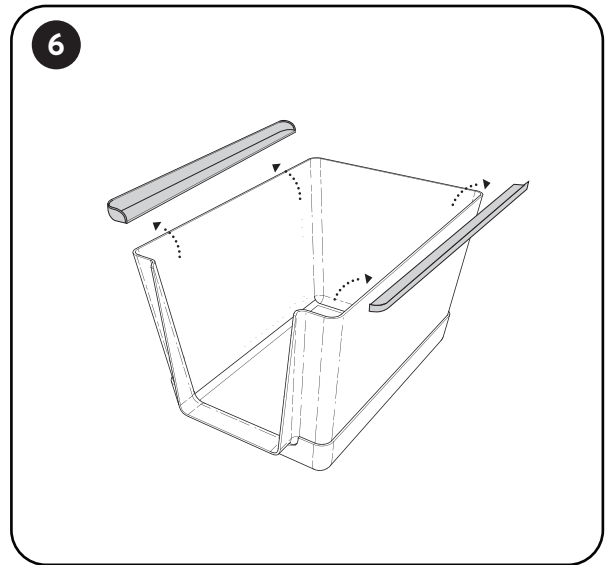
Position one rail over one edge of the Doggy Bathroom.



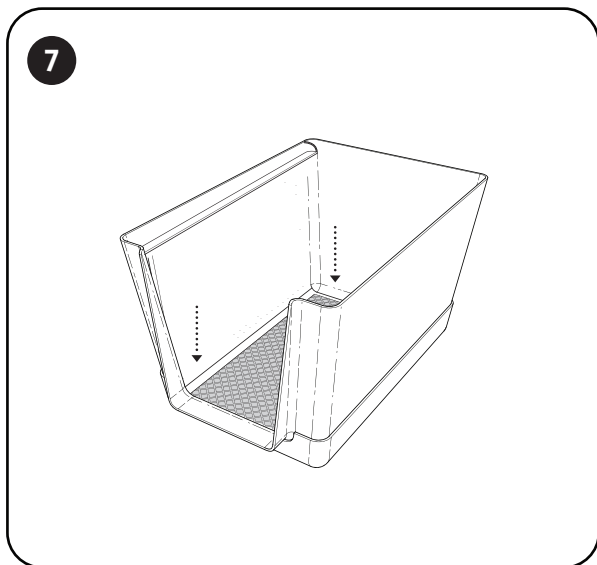
Press down firmly onto the rail starting at the front, followed by the back and then the centre of the rail until you feel and hear a snap.



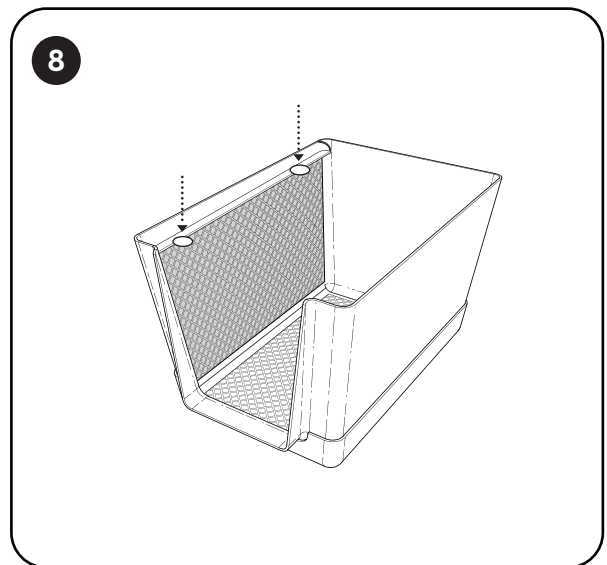
Repeat on both sides.



To remove the rails, place both hands on rail and firmly peel back.



Unfold 1 pee pad and lay on the bottom inside the DoggyBathroom.



Unfold and clip 1 pee pad onto each rail.
*Note: Adhesive pee pads, peel back and tape along rail.

Cleaning

Wipe down and/or spray with regular cleaning solution.

