



PALLMANN

Translation of the original Operating instructions

**Parquet floor sander COBRA CLASSIC 2,5kW/50Hz
with gentle lifting lever**

COBRA CLASSIC 230 V 2,5 kW neutral	#071845
COBRA CLASSIC 230 V 2,5 kW CH	#075488
COBRA CLASSIC 230V 3,2 kW AUS	#075490
COBRA CLASSIC 230V 2,5 kW NO	#075489



CE Manual #076697



PALLMANN



All rights reserved.

Reproduction on whole or in part requires written permission from
WOLFF GmbH & Co. KG, Ungerhalde 1, D-74360 Ilsfeld, Germany.

No liability for any damage arising from the use of this brochure.
Subject to alterations.

WOLFF GmbH & Co. KG
Ungerhalde 1
D-74360 Ilsfeld
Deutschland
Fon: +49 (0)7062-91556-0
Fax: +49 (0)7062-91556-41
www.wolff-tools.de | info@wolff-tools.de

Stand: 11/2018



Inhalt:

1	Introduction.....	4
2	Scope of delivery.....	5
3	Machine specifications COBRA CLASSIC.....	6
3.1	Important components.....	6
3.2	Technical data.....	7
3.3	Safety and machine protection facilities.....	7
4	Proper use.....	7
5	Assembly of the machine.....	8
5.1	Installing the guide tube.....	8
5.2	Installing the motor.....	8
6	Disassembling for transport.....	9
6.1	Removing the guide tube.....	9
6.2	Removing the motor.....	10
7	Operating the COBRA CLASSIC.....	11
7.1	Protective clothing and equipment.....	11
7.2	Fitting the dust bag.....	11
7.3	Safety instructions regarding dust.....	12
7.4	Disposing of sanding dust.....	12
7.5	Replacing the sanding belt.....	13
7.6	Adjusting the sanding pressure.....	14
7.7	Safety instructions for electric cable and connectors.....	14
7.8	Connecting the COBRA CLASSIC to the mains power.....	15
7.9	Remarks about sanding parquet and plank floors.....	16
7.10	Sanding with the COBRA CLASSIC.....	19
8	Maintenance.....	24
8.1	Changing the sanding drum.....	24
8.2	Adjusting the running wheels.....	26
8.3	Adjusting the castor wheels.....	27
8.4	Adjusting the tension roller.....	28
8.5	Changing the belt.....	29
8.6	Checking dust extraction.....	30
8.7	Switching off and storing the machine.....	30
9	Declaration of conformity.....	31
10	Warranty.....	32



PALLMANN

1 Introduction

Dear customer,

you have decided in favour of the WOLFF parquet floor sander COBRA CLASSIC, the correct choice with respect to quality and performance.

The COBRA CLASSIC is the result of a consistent implementation of many years of experience.

This machine combines an extraordinary high sanding performance and an excellent sanding quality, together with an easy to operate, proven and reliable technology.

This operating instructions contain important informations for the use and safe operation of the COBRA CLASSIC.



Caution!

Read these operating instructions carefully before assembling or operating the COBRA. Ensure that all operators read these operating instructions prior to operate the machine.

Adherence to the safety notes helps to protect against potential dangers for health and personal safety and to prevent an improper utilisation of the machine.

Before starting to work, make yourself familiar with the operation of the machine. It's too late if you do it while working!

Never allow anybody without sufficient skills and knowledge to operate the machine

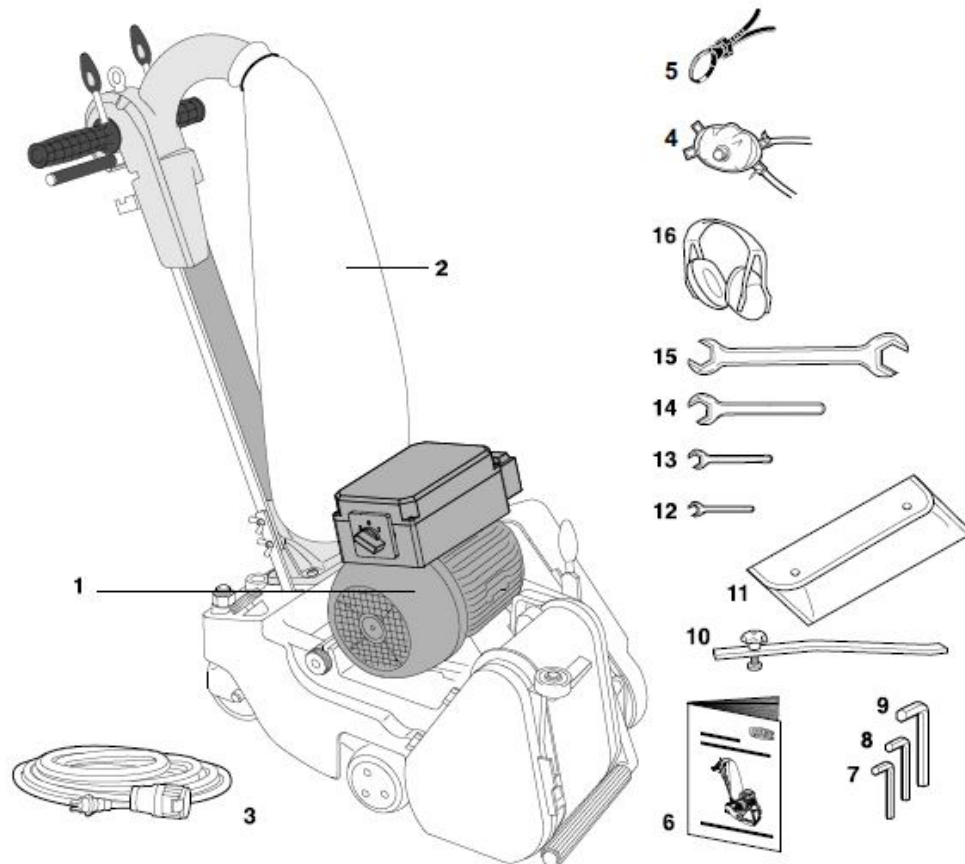


This brochure uses the symbol  to mark important instructions for safety and preventing damage. Please give special attention to the marked instructions.

They refer to a potentially dangerous situation. Failure to comply can result in fatal or severe injuries and damage to property.



2 Scope of delivery



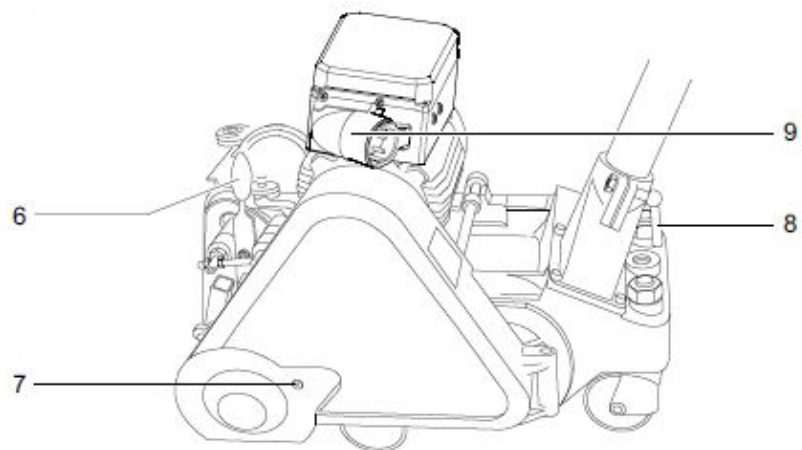
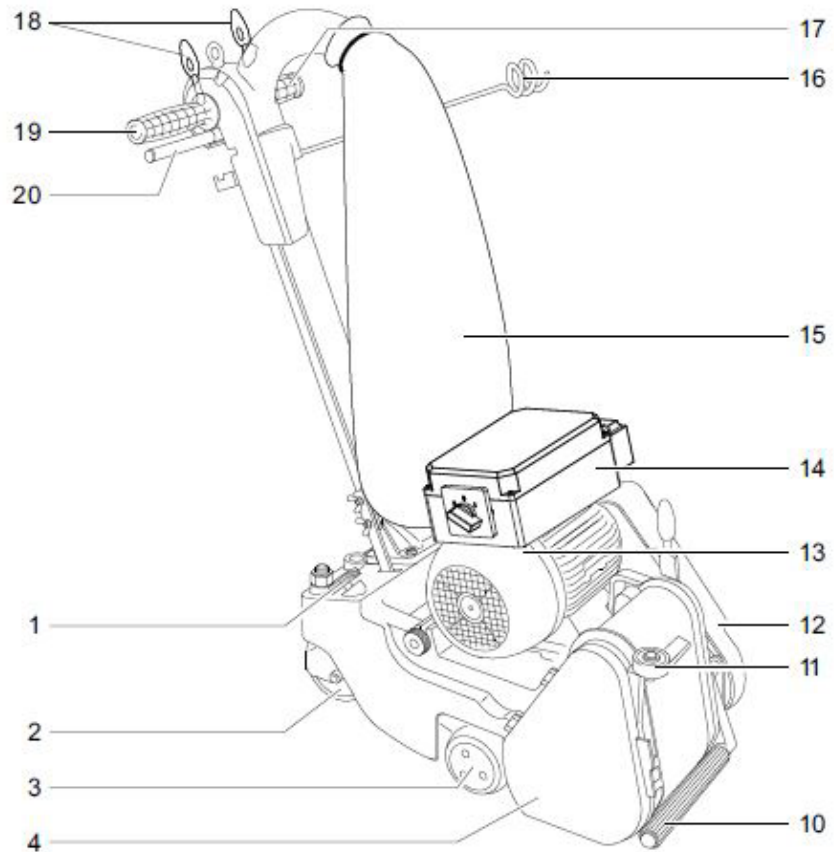
- 1 machine
- 2 dust bag
- 3 cable with plug and coupling
- 4 respirator
- 5 Multiclip
- 6 operating instructions
- 7 hexagon socket screw key 5 mm
- 8 hexagon socket screw key 6 mm
- 9 hexagon socket screw key 10 mm
- 10 running wheel adjusting tool
- 11 tool pouch
- 12 fork wrench 10 mm
- 13 fork wrench 13 mm
- 14 fork wrench 24 mm
- 15 double fork wrench 30/36 mm
- 16 hearing protectors



3 Machine specifications COBRA CLASSIC

3.1 Important components

- 1 pressure regulating screw
- 2 castor wheels
- 3 running wheels
- 4 drum cover
- 6 tension lever
- 7 cylinder head bolt
- 8 clamping lever
- 9 motor plug
- 10 carrying handle
- 11 bumper wheel
- 12 belt guard
- 13 motor
- 14 switch box
- 15 dust bag
- 16 cable arm
- 17 left hand grip
- 18 main lifting lever
- 19 right hand grip
- 20 gentle lifting lever





3.2 Technical data

Single-phase AC motor.....	230 V, 50 cps
Motor power	2500 W
Sanding drum speed.....	2100 rpm
Sanding width.....	200 mm
Sanding belt dimensions	200 mm x 750 mm, endless
Gesamtgewicht	83,5 kg
Gewicht Chassis	42,5 kg
Gewicht Motor	33,0 kg
Gewicht Führungsrohr	8,0 kg

3.3 Safety and machine protection facilities

COBRA CLASSIC is equipped with an

- **overcurrent cutout and an**
- **no-volt release**

The overcurrent cutout protects the machine from damage and persons from endangering in the case of short circuits.

The no-volt release prevents uncontrolled restart of the machine after power failure. The motor will not restart automatically when the power returns, it will have to be switched on again.

4 Proper use

The parquet floor sander COBRA CLASSIC is suitable for dry sanding of parquet and plank floors. No other use is allowed.



Caution!

Never use COBRA CLASSIC for wet procedures (mortal risk from electric shock)!



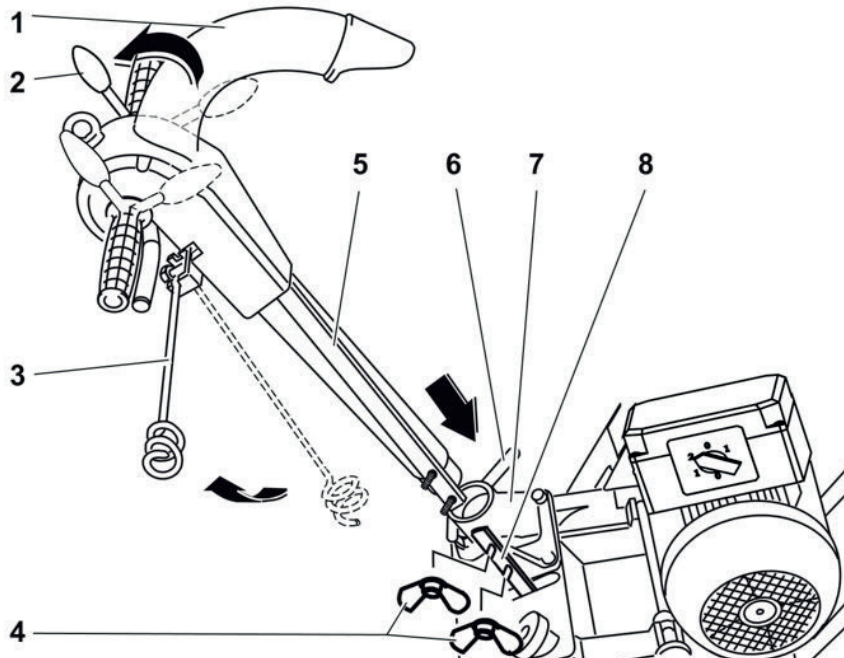
5 Assembly of the machine

5.1 Installing the guide tube

Note! The Cobra Classic is delivered with the guide tube (1) removed.



Caution! Injury to the operator or other persons could occur or damage could occur if the machine starts up unintentionally. Disconnect the machine from the power supply before working on the machine!



Instructions:

1. Insert the guide tube (1) into the guide tube support (7). The curved section of the tube must face toward the motor. Clamp the guide tube by means of the clamping lever (6) located on the guide tube support.
2. Fit the connector (8) into the both screws of the pull rod
3. Move the main lifting lever (2) into the rear position to raise the sanding drum from the floor.
4. Tighten both wing nuts

5.2 Installing the motor:

Installation of the motor is performed in the opposite order to the steps described in Chapter 6.2 Removing the motor.



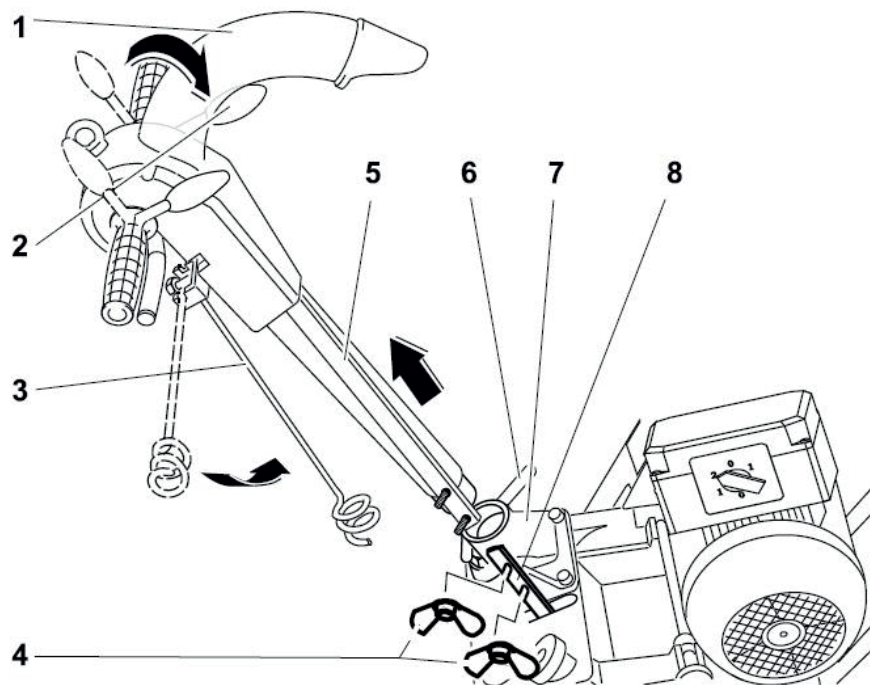
6 Disassembling for transport

For easy transportation the motor and the guide tube can be removed.

6.1 Removing the guide tube



Caution! Injury to the operator or other persons could occur or damage could occur if the machine starts up unintentionally. Disconnect the machine from the power supply before working on the machine!



Instructions:

1. Fold down the cable arm (3).
2. Move the main lifting lever (2) to the front position in order to lower the sanding drum to the floor. This removes the load from the control rod (5).
3. Loosen both of the wing screws a little (4). Push the handle down to detach the control rod (5) from the connector (8).
4. Open the guide tube support (7) with the clamping lever (6) and pull the guide tube (1) out.



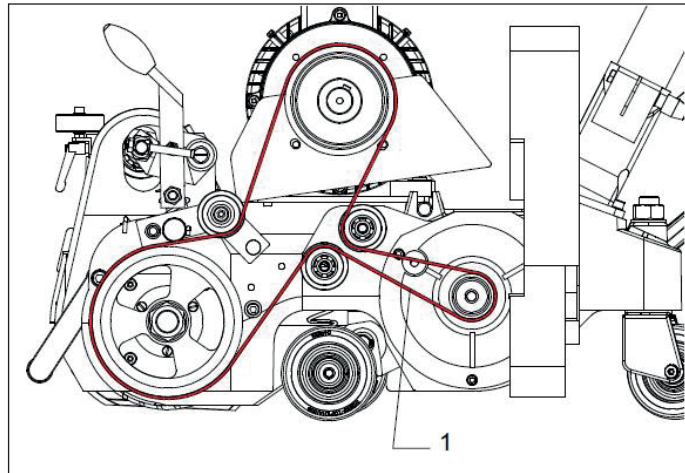
6.2 Removing the motor



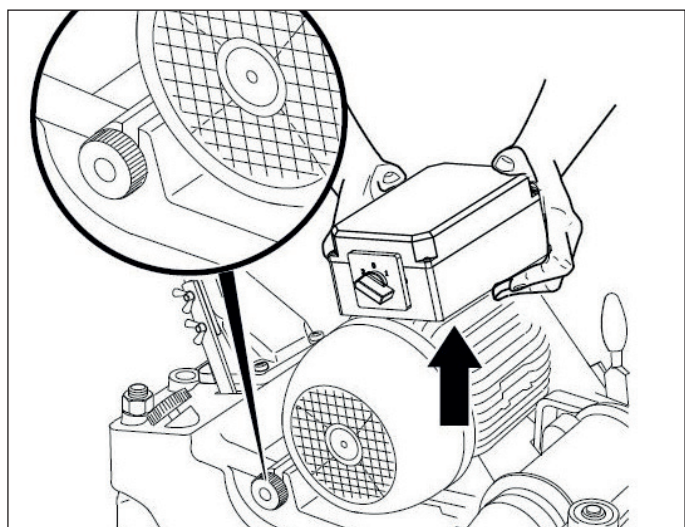
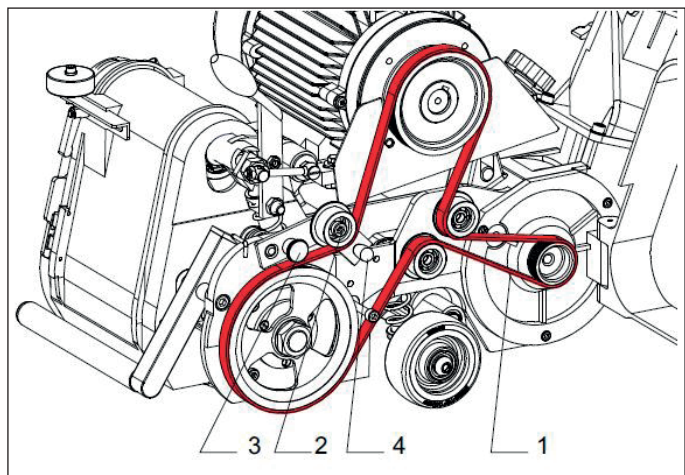
Caution! Injury to the operator or other persons could occur or damage could occur if the machine starts up unintentionally. Disconnect the machine from the power supply before working on the machine!

Instructions

1. Make sure that the motor switch is in the off position and that the mains cable is disconnected from the motor plug.
3. Lift belt tensioner (2) until locating pin (3) snaps.
4. Remove the belt (1).



6. Remove the knurled nut from the motor bracket.
7. Now you can remove the motor.





7 Operating the COBRA CLASSIC

7.1 Protective clothing and equipment



Caution! Wear ear defenders! The levels of noise generated are damaging to the hearing. While operating the tool, you must wear ear defenders. Use the capsule ear defenders which are supplied as an accessory.

Hand/arm vibration

The following vibration levels have been measured, in accordance with EN 60745:

Vibration emissions value: ah/DS < 2,5 m/s²
Measuring inaccuracy: K = 1,5 m/s²

For the parquet sanding machine COBRA CLASSIC the following sound level values were obtained determined according to DIN 45645:

No-load operation LEQ = 84 dB (A)
Operating mode LEQ = 87 dB (A)



Caution! Wear a respirator! When using the parquet floor sander COBRA CLASSIC and when disposing of the sanding dust, always wear a respirator (see chapter 7.3 and 7.4). Wear the respirator which is supplied with the accessories.

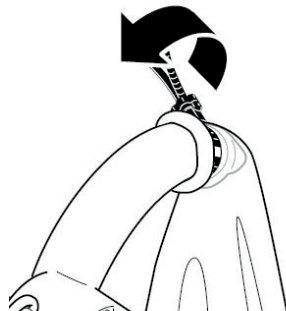


Caution! Wear safety goggles! When using the parquet floor sander COBRA CLASSIC and when working on COBRA, always wear safety goggles to protect your eyes.



Caution! Wear proper working clothing! When using the parquet floor sander COBRA CLASSIC and when working on COBRA CLASSIC, never wear loose clothing. This can get caught up in moving parts.

7.2 Fitting the dust bag



Caution! Only use original WOLFF dust bags for the parquet floor sander COBRA CLASSIC. The dust bag must be firmly fitted to the dust pipe before sanding.

Instructions:

1. Pull the dust bag over the dust pipe to behind the pipe reinforcement.
2. Fasten the dust bag here using the Multiclip.



7.3 Safety instructions regarding dust



Caution! Ultra-fine sanding dust!

Always wear a respirator when sanding parquet and plank floors (is included with the accessories).

When the machine is used for its proper purpose, the sanding of wooden floors naturally produces dust. The machine has an integrated dust collecting system which blows the dust into the dust bag. The dust is collected in the dust bag. Even so, this cannot prevent fine and ultra-fine dust being produced when using the machine.



Caution! Health risk!

Wood dust, particularly when treated with impregnating agents, solvents and coatings, can cause allergic reactions (e.g. of the skin or respiratory system) after a sensitization period. Beech and oak dust is classified as being carcinogenic (cancer of the nasal mucous membranes). Dust from other kinds of wood is suspected of having a carcinogenic effect.



Caution! Fire risk!

No smoking while sanding!

All ignition sources are prohibited in rooms where sanding work is being carried out!

Air the rooms thoroughly.

Together with an ignition source and the oxygen in the air, wood dust can cause fires and explosions.



Caution! Fire risk!

Sanding over metal parts such as nails can produce sparks which are blown into the dust bag together with the wood dust. Here the glowing metal chips can still cause a fire even hours later.

Every time after the machine has stopped and at the end of working, the sanding dust contained in the dust bag must always be disposed of immediately in a fire-proof, non-flammable container. The container must be covered with a fire-proof, non-flammable lid. Store the container only outdoors.

7.4 Disposing of sanding dust



Caution! Fire risk!

Because of the fire risk, the sanding dust contained in the dust bag must always be disposed of immediately every time after the machine has stopped and at the end of working. The sanding dust must be disposed of immediately in a fire-proof, non-flammable container. The container must be covered with a fire-proof, non-flammable lid. Store the container only outdoors.



Caution!

At the latest when 1/3 full, the sanding dust contained in the dust bag must be disposed of, because the dust collecting capacity is reduced when the bag is any fuller. The sanding dust must be disposed of in a fire-proof, non-flammable container. The container must be covered with a fire-proof, non-flammable lid. Store the container only outdoors.



Caution!

Always wear a respirator when disposing of the sanding dust (included with the accessories).



7.5 Replacing the sanding belt



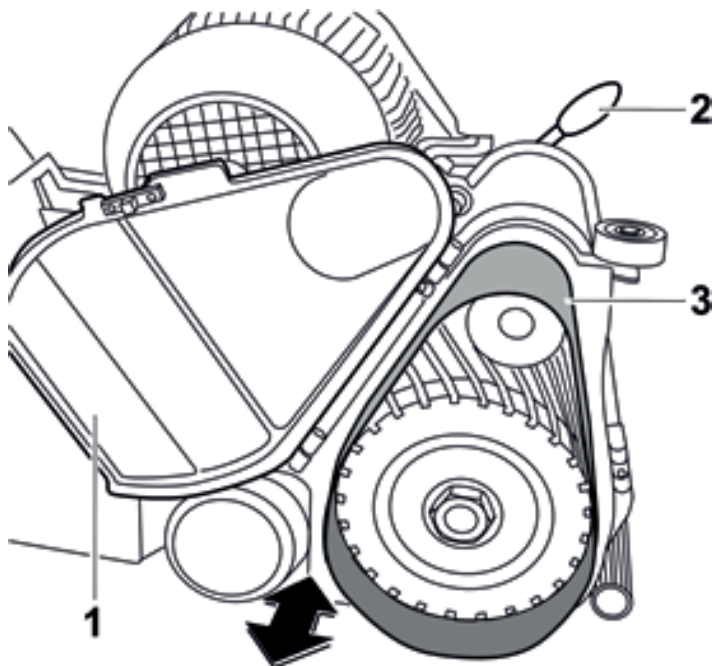
Caution! Danger from machine starting up!
When replacing the sanding belt, there is a risk from the machine starting up unintentionally. Always disconnect the parquet floor sander from the mains power before working at the sanding belt.



Caution! Risk of cutting your hands!
The sanding grains of the sanding belt have sharp edges. Always wear safety gloves when replacing the sanding belt.

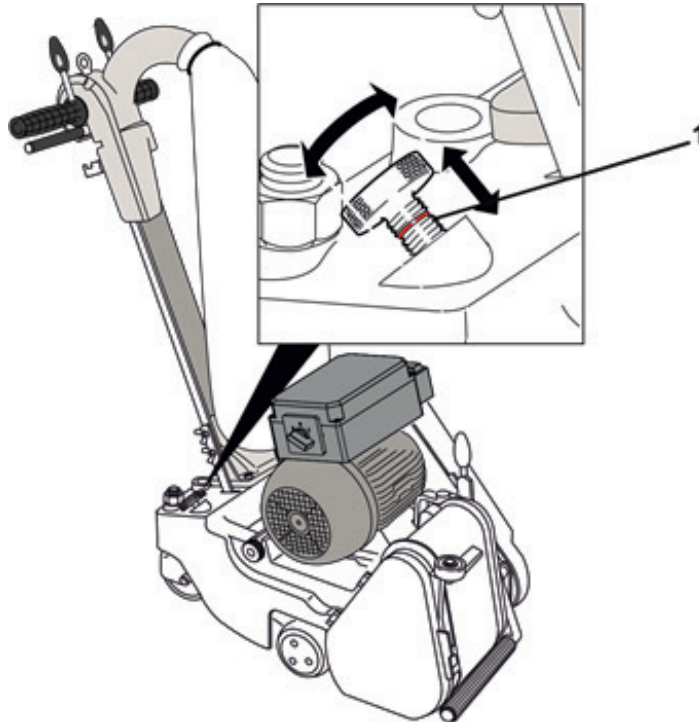
Instructions for replacing the sanding belt:

1. Switch the machine off.
2. Disconnect the machine from the mains power.
3. Open the sanding drum cover (1).
4. Move the tension lever (2) forward. The sanding belt which was held under tension is now released. Pull it out to the side.
5. Insert a new sanding belt.
6. Clamp the new sanding belt by moving the tension lever (2) backward.
7. Close the sanding drum cover (1).





7.6 Adjusting the sanding pressure



Use the pressure regulating screw to adjust the required sanding pressure.

High sanding pressure:

Turn the pressure regulating screw inwards as far as it will go.

Low sanding pressure:

Turn the pressure regulating screw outwards to the red marking (2) on the screw thread.

7.7 Safety instructions for electric cable and connectors



Caution! Mortal risk from electric shock!

There is a mortal risk from electric shock if the machine is used when the electric cable or connectors are damaged. If the electric cable and connectors are damaged, they must be replaced by a qualified electrician.

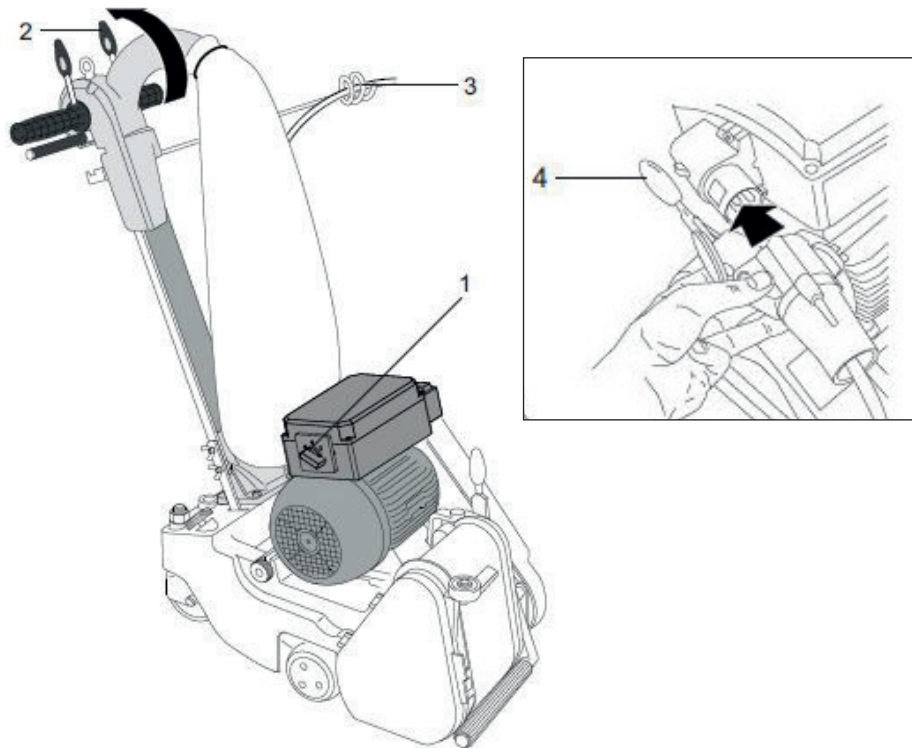


Caution! Mortal risk from electric shock!

Running over the electric cable with the sander entails a mortal risk from electric shock!
Never point the machine towards the cable!



7.8 Connecting the COBRA CLASSIC to the mains power



Instructions for connecting to mains power:

1. Make sure that the switch (1) is in the off position. The machine must be switched off before connecting up to the mains power.
2. The main lifting lever for the sanding drum (2) must be moved backward so that the sanding drum is raised from the floor.
3. Hang the swivelling cable arm (3) into the left or right cable arm bracket as required. Wind the mains cable through the curl at the end of the cable arm (3) to keep the cable away from the sanding zone.
4. Connect the coupling (4) of the mains cable to the motor plug, which must be disconnected from mains power.
5. Connect the plug of the mains cable via a portable RCD (Residual Current Protective Device) to an adequately fused and earthed 230 V mains socket.



Caution! Never switch the motor on if the sanding belt is not tightened.

Caution! Never switch the motor on if the sanding drum is not raised from the floor.



Caution! Risk of injuries from the machine starting up unintentionally! Disconnect the machine from the power supply when not in use, when changing the sanding belt and when



7.9 Remarks about sanding parquet and plank floors



Check the floor to see if any boards are loose. These must be fastened before sanding.

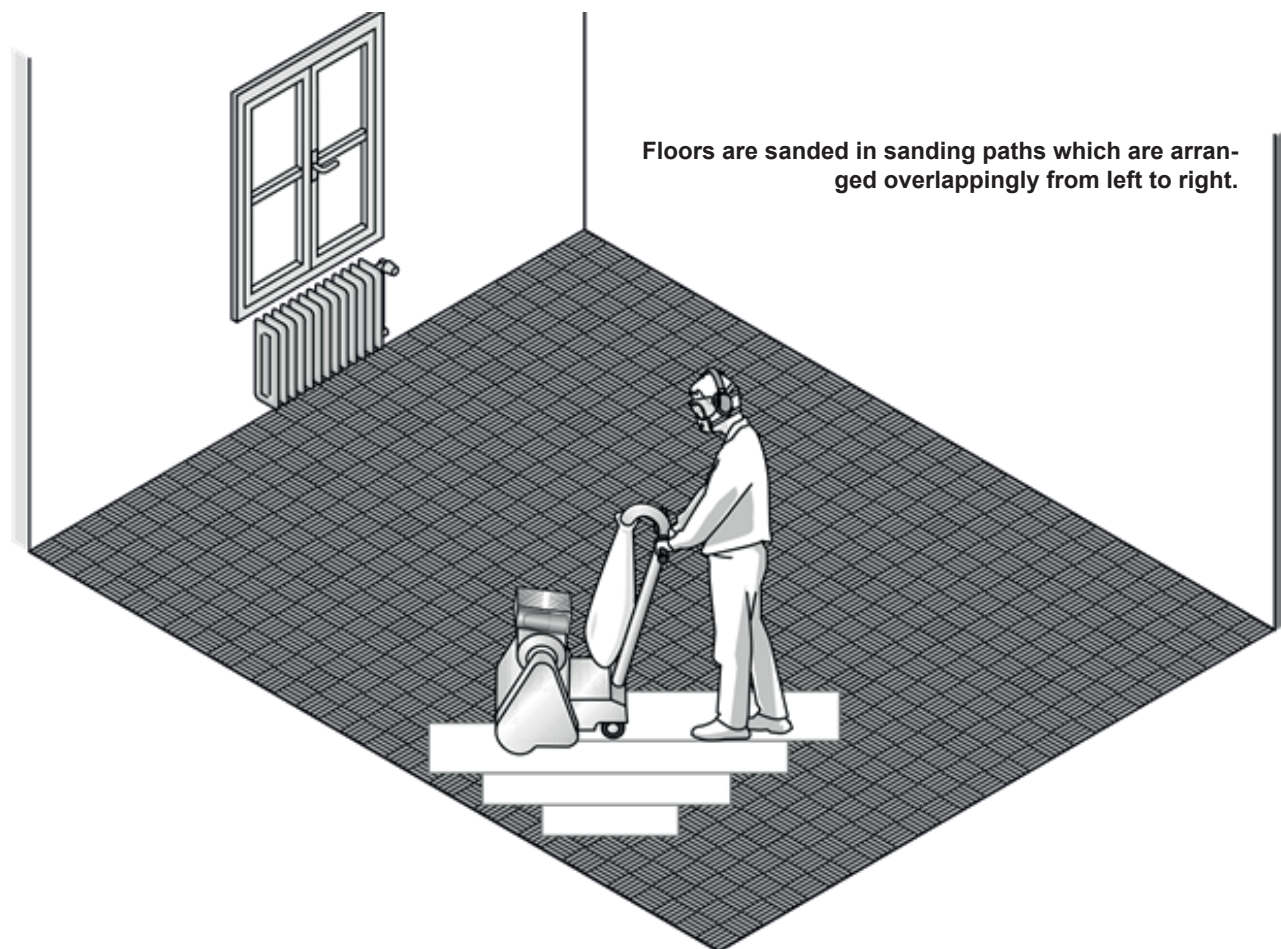


Caution! Fire risk!

If there are nails in the floor, they must be countersunk so low every time before sanding that there is no risk of hitting a nail while sanding.

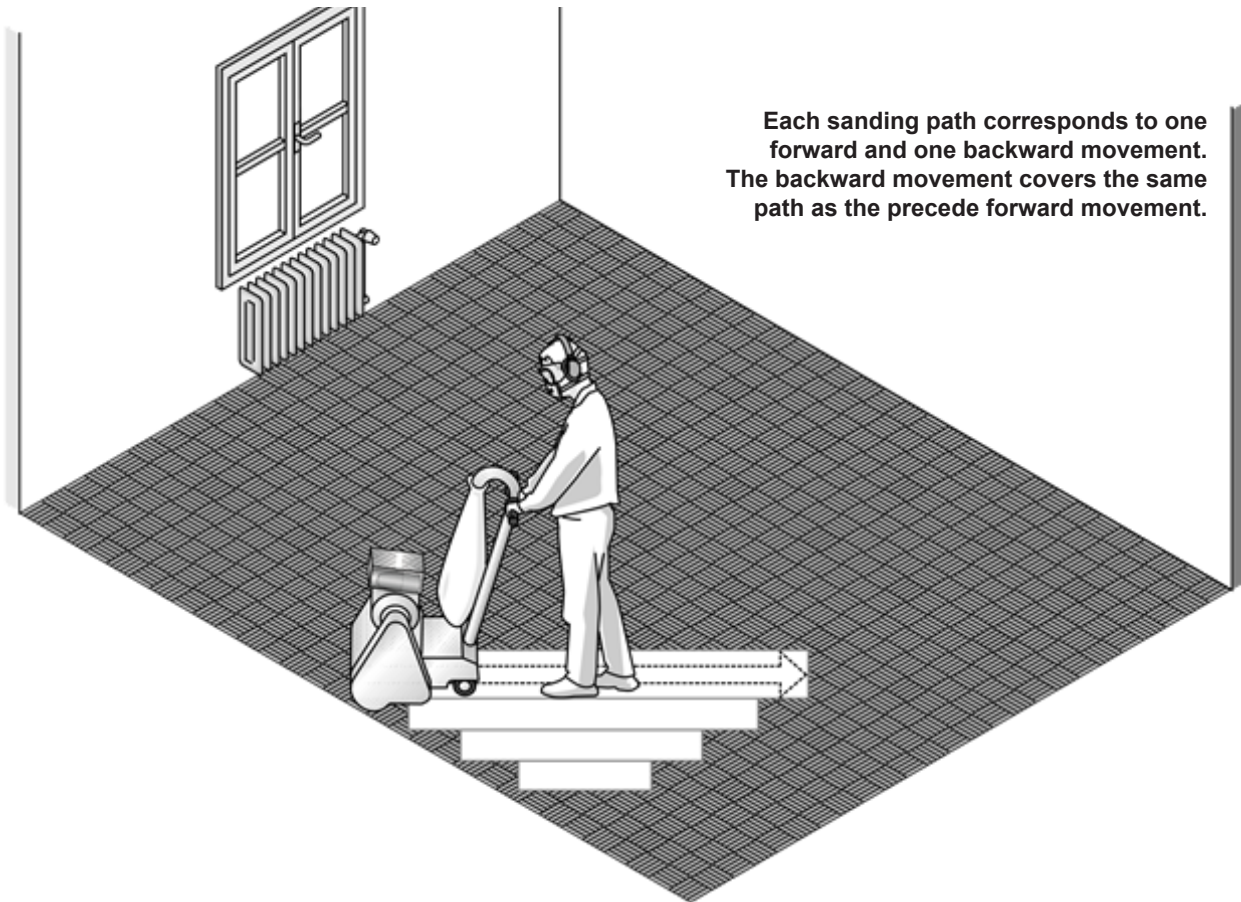
Hitting a nail while sanding can produce sparks and can cause a fire.

For example a spark can create a fire in the dust bag.





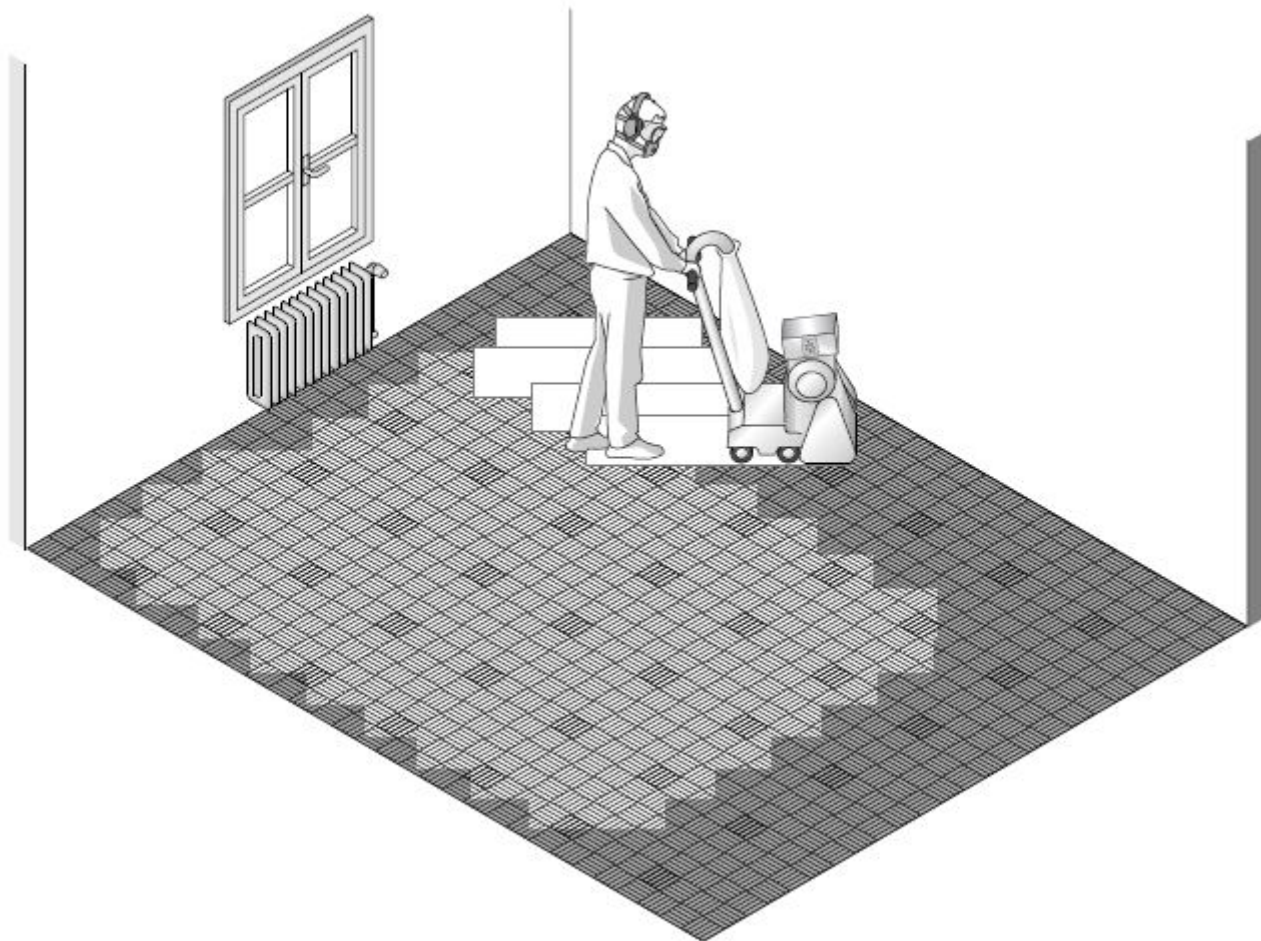
PALLMANN



Each sanding path corresponds to one forward and one backward movement. The backward movement covers the same path as the precede forward movement.



PALLMANN



Because of the space needed for the person operating the machine and the machine itself, the floor is not sanded over an area of approximately 1.5 m to the wall behind the sander. Turn the machine 180° and sand the remaining area of the floor also in sanding paths which are arranged overlappingly from left to right. Make sure that the two areas are blended together without leaving any marks.

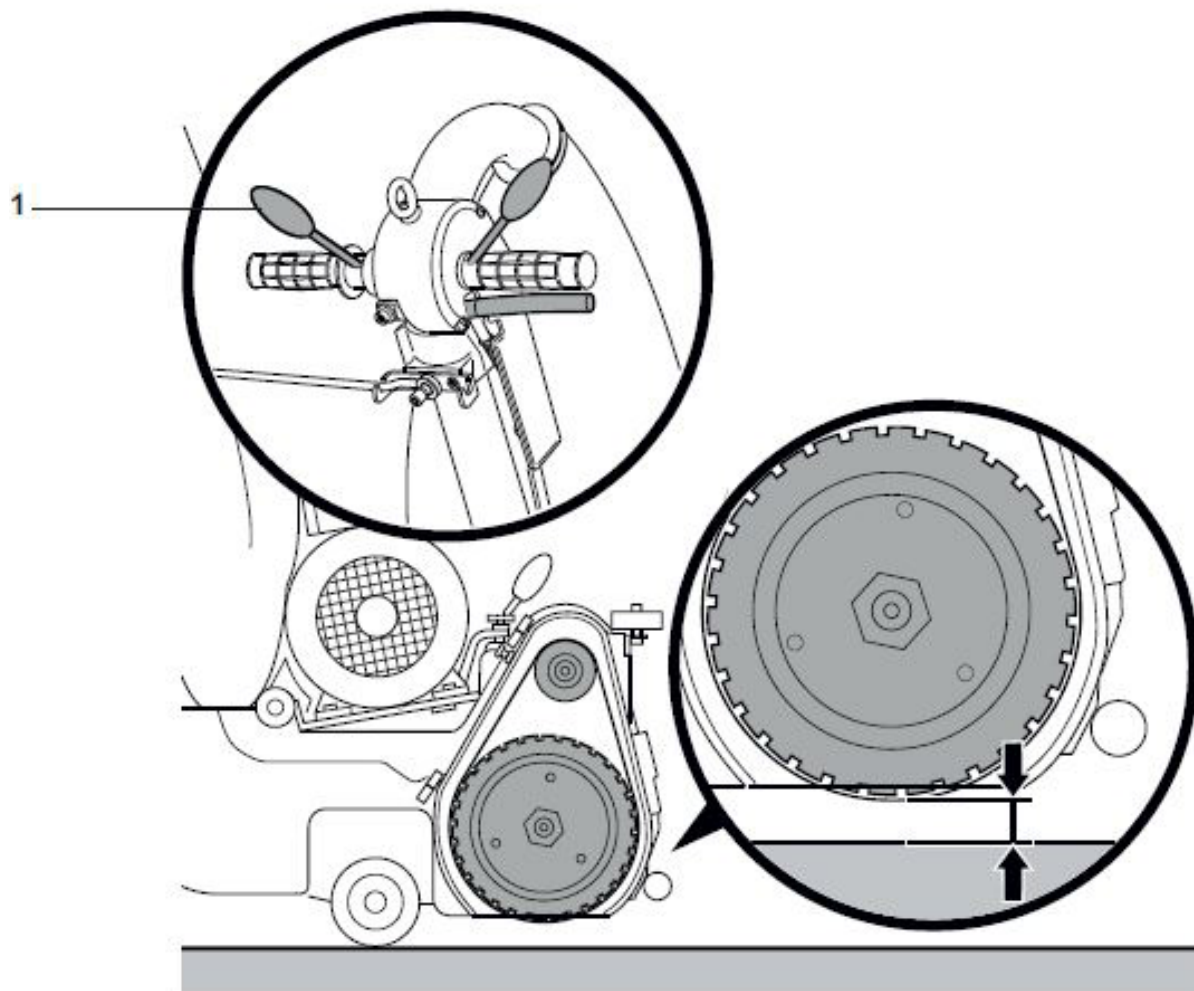
Note!

In most cases, the floor is sanded in several procedures. The whole floor area is sanded down



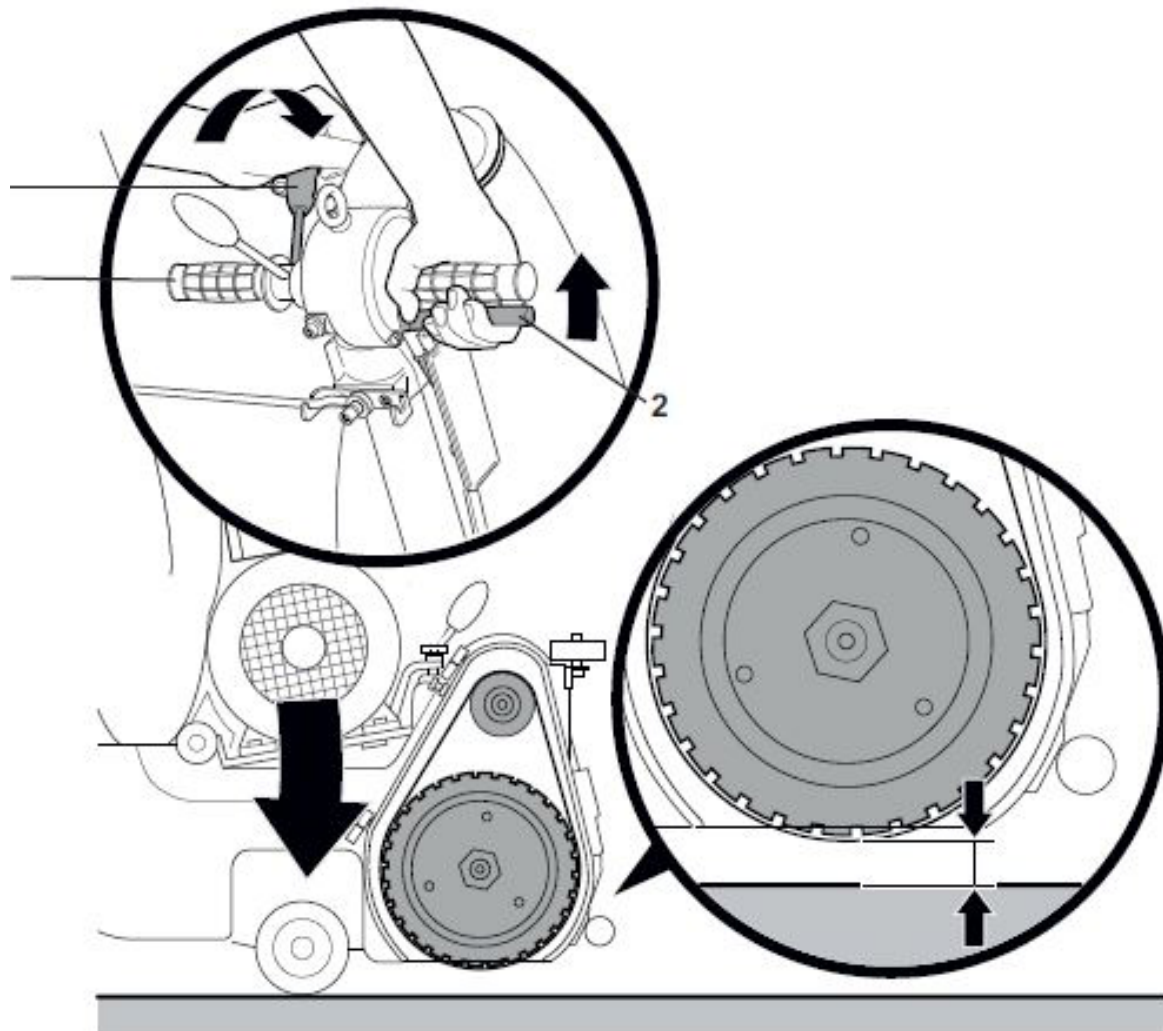
7.10 Sanding with COBRA CLASSIC

1. Before starting the machine, the main lifting lever for the sanding drum (1) must be in the rear position. The sanding drum is clearly raised from the floor. The distance to the floor is approx. 15 mm.
2. Before starting the machine, ensure that the sanding belt is tightened.
3. Bring the machine into the start position.
4. Set the switch to setting „I“. Once the motor has started up, switch to setting „II“. This gradual start-up procedure avoids high start-up currents.





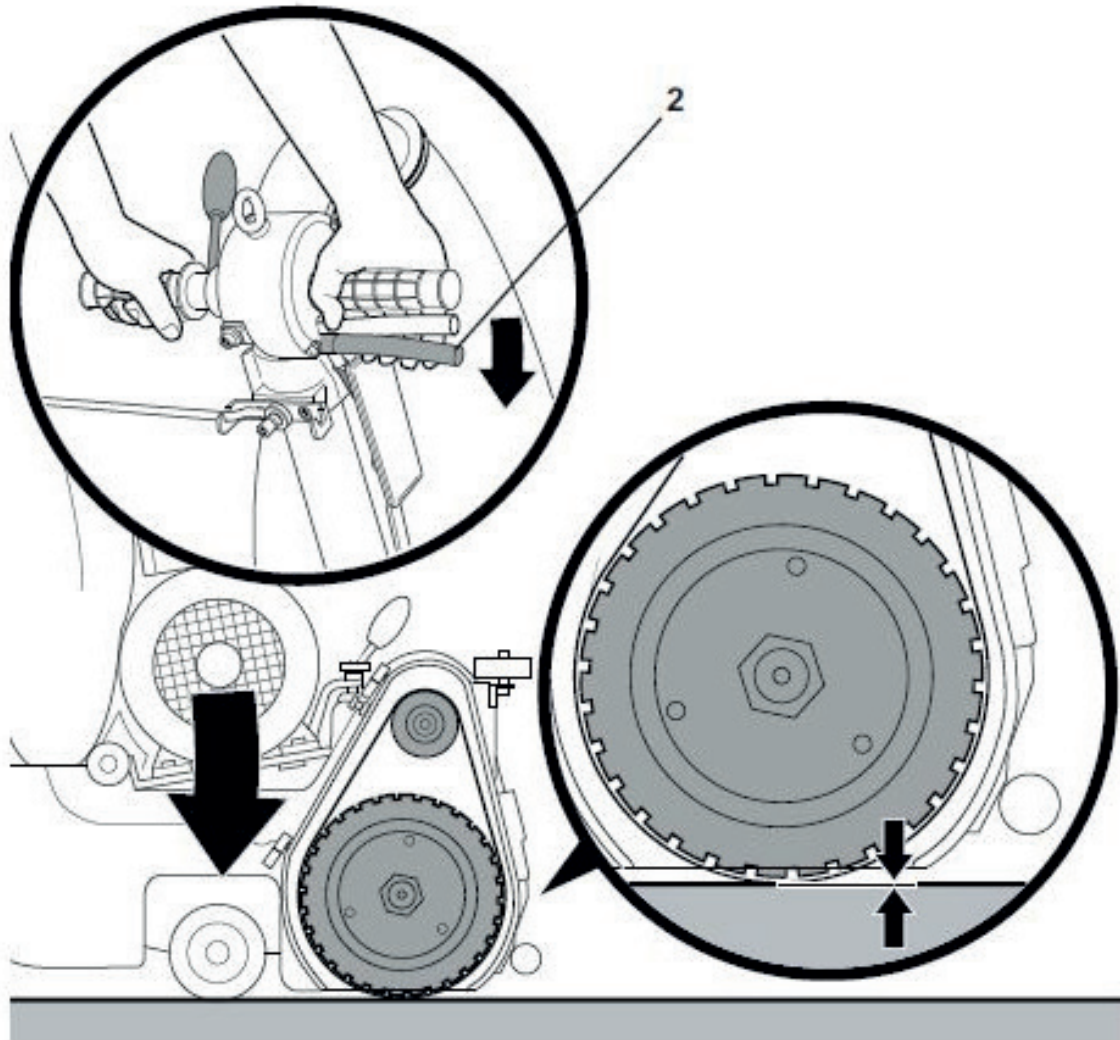
PALLMANN



5. Before you lower the sanding drum to approx. 5 mm above the floor, you must pull the gentle lifting lever (2) up by bending the fingers of your right hand and hold in this position.
6. While you hold the gentle lifting lever (2) up, push the main lifting lever (1) forward. This lowers the sanding drum to approx. 5 mm over the floor. The gentle lifting lever (2) must always be held up because otherwise the sanding drum will be lowered to the floor.



PALLMANN



7. Now start on sanding the first path by slowly lowering the gentle lifting lever (2) while you are moving the machine forward evenly, thus lowering the sanding drum to the floor.

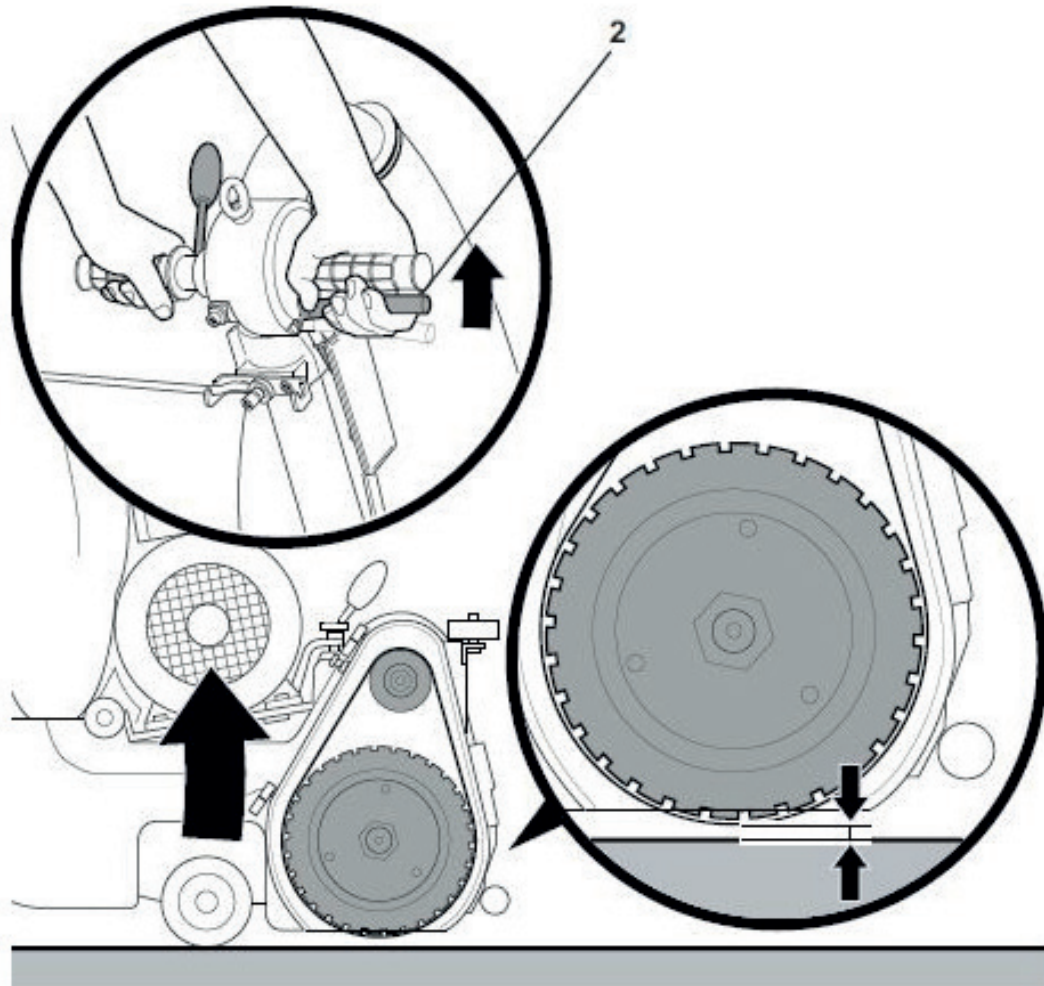


Caution!

Move the machine at an even pace while sanding to avoid creating any dents in the floor.



PALLMANN



8. At the end of the forward movement, before the movement has finished, raise the sanding drum from the floor again by pulling the gentle lifting lever (2).
9. Every forward movement is followed by a backward movement. The backward movement covers the same path as the forward movement. For each forward movement, move the machine about 10 cm to the right of the sanding path you have just finished.

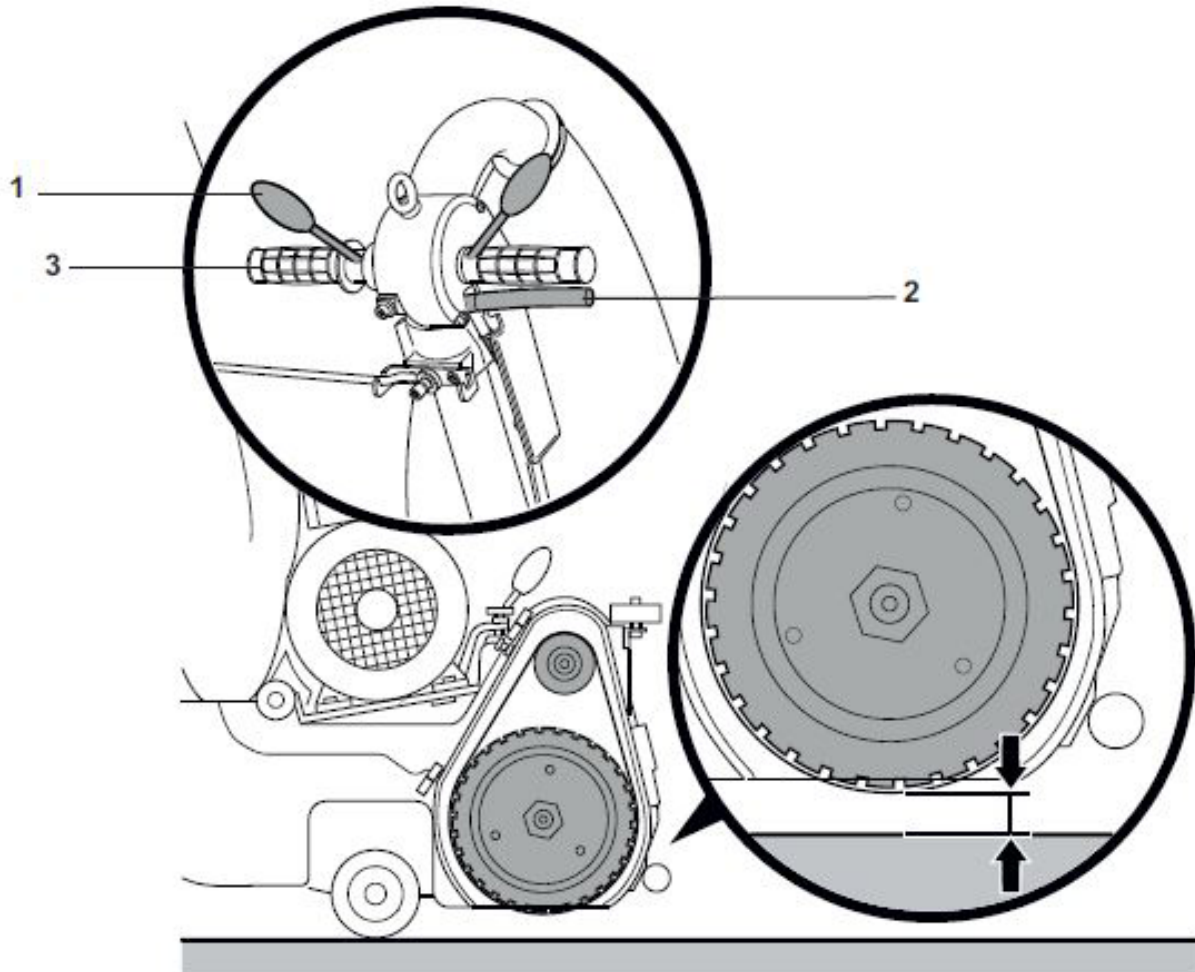


Caution!

Never allow the machine to come to a standstill for even a short moment while sanding because this would cause an indentation in the floor. This means that whenever changing between a forward and a backward movement, the sanding drum must be raised from the floor while the machine is still moving evenly, and only lowered when the machine is moving evenly again.



PALLMANN



10. Stopping or interrupting the sanding procedure:

To stop or interrupt the sanding procedure, you must hold the gentle lifting lever (2) up with your right hand for as long as it takes for your left hand to move the main lifting lever (1) into the rear position. Do not release the gentle lifting lever (2) until this has been completed.

Then switch the motor off and disconnect from the mains power.

Safeguard the machine to prevent it rolling away.

The sanding dust contained in the dust bag must be disposed of immediately in a fire-proof, non-flammable container. The container must be covered with a fire-proof, non-flammable lid. Store the container only outdoors.

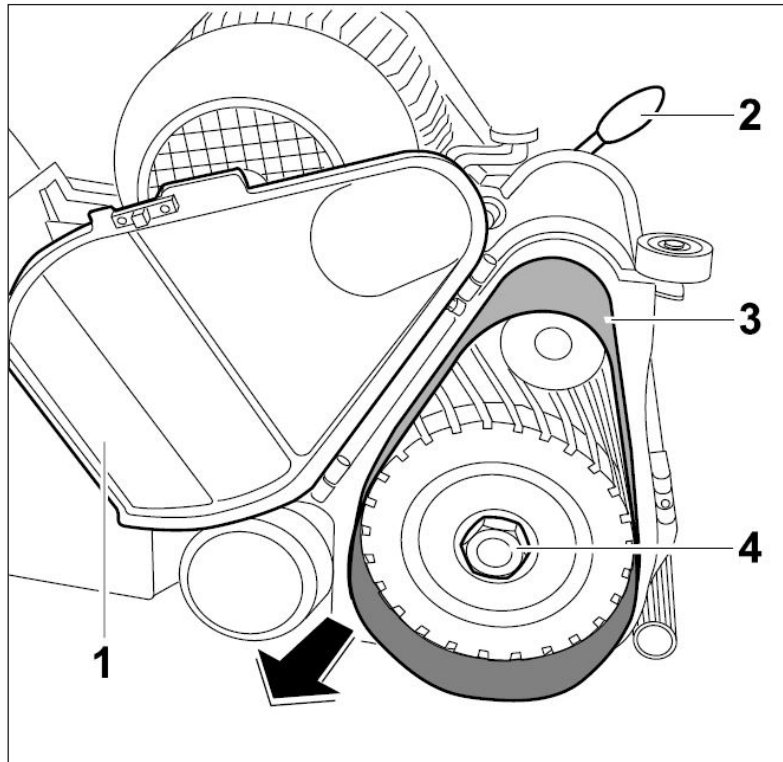


8 Maintenance

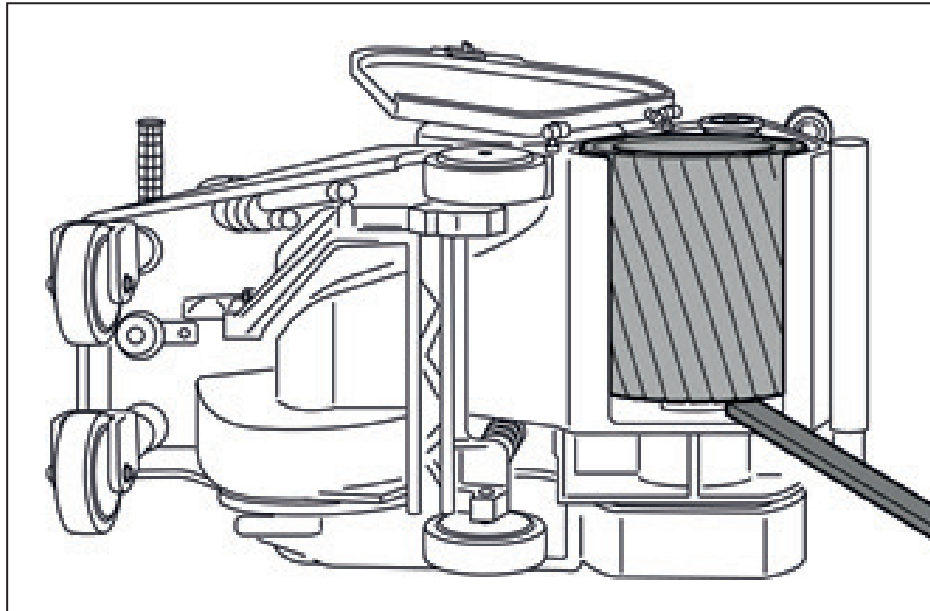
8.1 Changing the sanding drum

If the sanding drum is damaged or worn, it must be replaced.

Instructions:



1. Turn the machine off.
2. Disconnect the machine from the mains power.
3. Open the sanding drum cover (1).
4. Fold the tension lever (2) forward to relieve the tension on the sanding belt.
5. Remove the sanding belt (3) to the side.
6. Unscrew the retaining nut (4):
The retaining nut is glued to the threads of the sanding drum shaft to ensure that it will not fall off while the COBRA is in operation. To unscrew the retaining nut, use the double fork wrench that comes with the machine. Lower the sanding drum so it has contact with the floor to prevent it from turning while you are unscrewing the retaining nut.



7. Lay the machine on its left side.
8. Press against the sanding drum carefully with a flat iron bar.
9. Remove the sanding drum out of the machine.
10. Be careful not to lose the parallel key.
11. Slide a new sanding drum on to the sanding drum shaft. The parallel key must fit properly in the slot on the sanding drum shaft.
12. Apply metal adhesive to the retaining nut and screw it back on the sanding drum shaft. Stand the machine up and lower the sanding drum to the floor to ensure that the sanding drum does not turn while you tighten the retaining nut in the next step. Tighten the retaining nut securely with the enclosed double fork wrench.
13. Pull the main lifting lever back to lift the sanding drum off the floor.
14. Close the sanding drum cover.
15. Ensure that the machine cannot roll away.



Note!
After changing the sanding drum, the surface setting on the machine must be newly adjusted.
(See chapter 8.2)



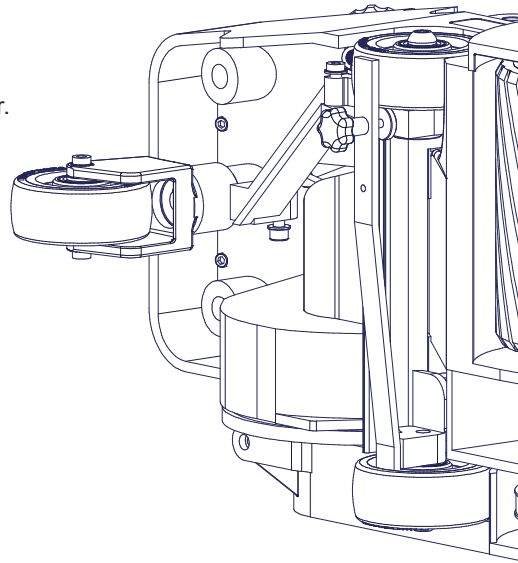
8.2 Adjusting the running wheels

If the machine only sands on one side, the surface setting must be adjusted. Following replacement of the sanding drum or running wheels, the surface setting must always be newly adjusted. To make a level, uniform setting, the sanding drum and the running wheels must rest on the same plane. The right running wheel is adjustable. The left wheel does not adjust.

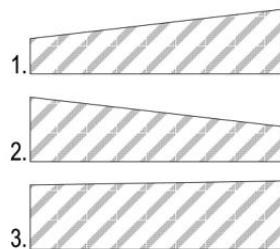
The running wheel adjustment gauge is required to adjust the machine. For optimal results check the the grinding pattern after adjusting.

Instructions:

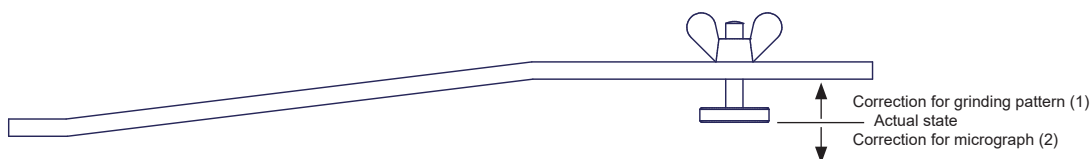
1. Turn the machine off.
2. Disconnect the machine from the mains power.
3. Lay the machine on its left side.



4. Use the roller adjuster to adjust the the ACTUAL position of the adjustable roller.
5. Check the grinding pattern. If the machine grinds more on the roller protection side (1), the adjustable wheel must be adjusted away from the machine base. If the machine grinds more on the belt guard side (2), the adjustable wheel must be adjusted in the opposite direction to the machine base.



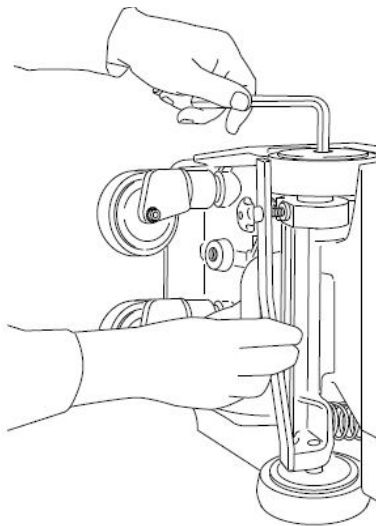
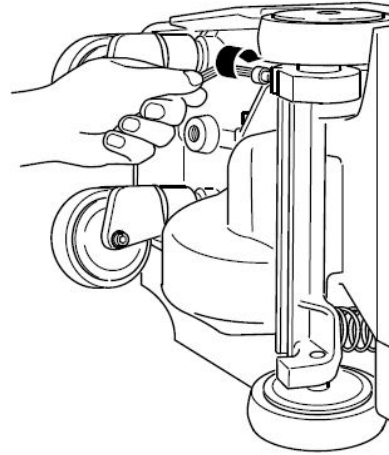
6. Set the wheel adjustment aid to the desired nominal dimension.





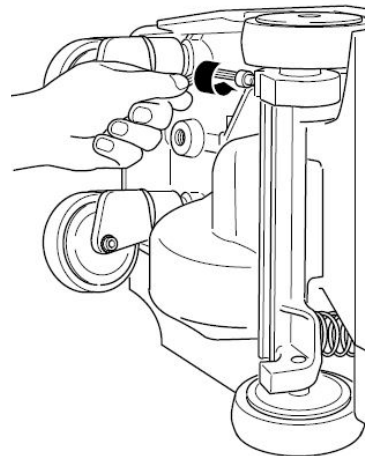
PALLMANN

7. Loosen the locking screw on the trolley lever next to the right-hand adjustable castor.

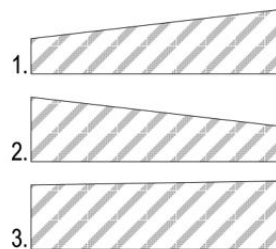


8. Adjust the right-hand roller to the set dimension using the roller adjuster. Turn the axle of the right-hand roller with the hexagon screwdriver until the right-hand roller lightly touches the tongue of the roller adjuster.

9. Tighten the locking screw on the landing gear lever next to the right-hand roller.



10. Check the grinding pattern.



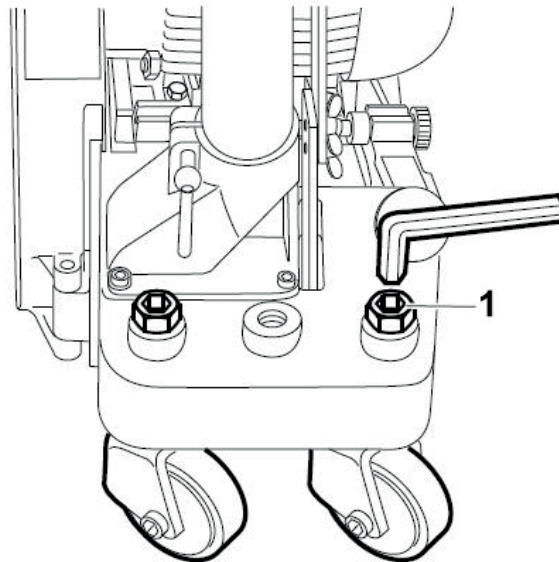
1. readjustment required
2. readjustment required
3. optimal grinding pattern



8.3 Adjusting the castor wheels

Instructions for adjusting the castor wheels:

1. Turn the machine off.
2. Disconnect the machine from the mains power.
3. Loosen the lock nut (1).
4. Turn the castoring shaft with the hexagon socket screw key until both of the castor wheels bear weight.
5. Tighten the lock nut



8.4 Adjusting the tension roller

The tension roller keeps automatically the track of the sanding belt concentrically to the sanding drum. If with time the sanding belt fails to run concentrically to the sanding drum, the tension roller must be newly adjusted.



Caution! Danger of injury!

Adjustments of the sanding belt while the machine is running and the sanding drum cover is open may only be performed by qualified personnel (in accordance with VBG 1, § 41 adjustment).



Caution!

Wear safety goggles and avoid loose clothing before making these adjustments.

Instructions:



Caution!

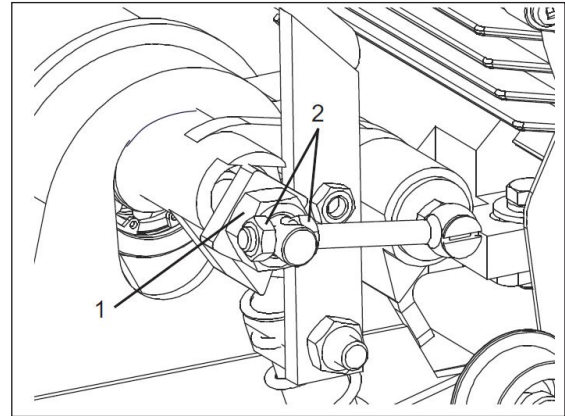
Before beginning with the following procedure, the main lifting lever must be pulled backwards to remove the sanding drum from the floor.

Work steps:

1. Make sure that the motor is in the off position and the machine is disconnected from the mains power.
2. Open the sanding drum cover.
3. Insert a sanding belt.
4. Shift the tension lever backwards to place tension on the sanding belt.



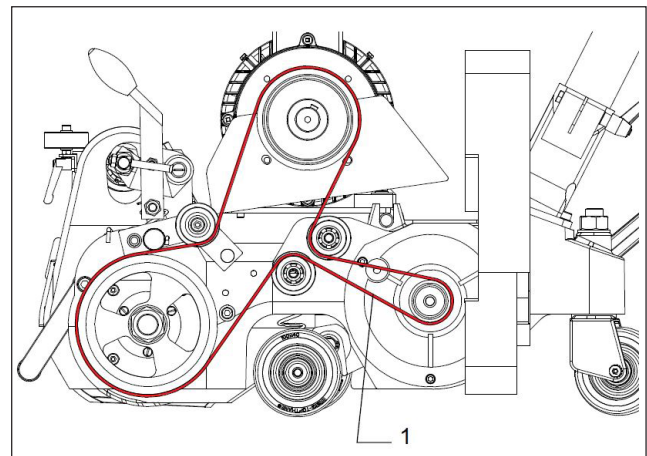
5. Loosen the retaining nut (1).
6. Connect the machine to the mains power (see chapter 7.7 and chapter 7.8).
7. Allow the machine to run in position „I“.
8. By turning the adjusting nuts (2), you can move the tension roller to influence the path of the sanding belt. Adjust the position of the sanding belt until it runs in the middle of the sanding drum.
9. Switch the machine off. Disconnect the machine from the mains power.
10. Tighten the adjusting nuts (2). Tighten the retaining nut (1) securely.
11. Close the sanding drum cover.



8.5 Replacing the belt

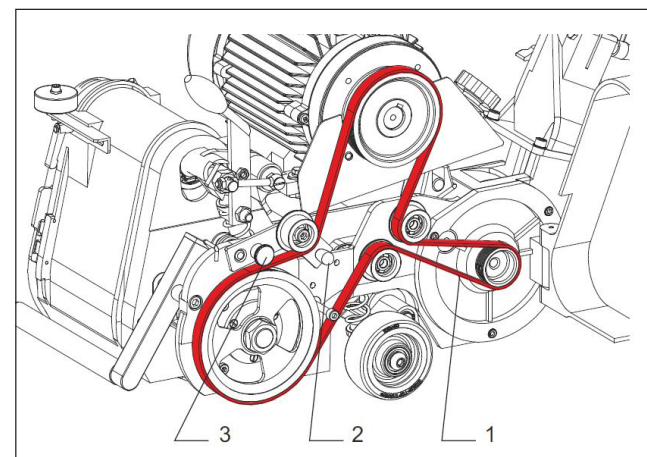
Instructions for removing the belt:

1. Make sure that the motor switch is in the off position and that the mains cable is disconnected from the motor plug.
2. Unscrew the knurled nut from the belt guard and open the belt guard.
3. Lift belt tensioner (2) until locating pin snaps (3) .
4. Remove the belt



Instructions for installing and tightening belt:

1. Lift the belt tensioner (2) until the locking stud (3) unlatches.
2. Insert the belt (1) around the belt pulleys and deflection roller as shown in the figure.
3. Slightly lift the belt tensioner (2) and pull back the locking stud (3) .
4. Lower the belt tensioner to take up belt slack..





PALLMANN

8.6 Checking dust extraction

In order to ensure optimum dust extraction, the following points must be checked:

The seal in the roller doors must not be damaged.

A damaged seal must be replaced. The suction channel must not be blocked or have any deposits in it.

Dirt must be removed.



Caution! Only use original WOLFF dust bags.

The dust bags must not be damaged, mended or chafed and must not be washed.

If an external vacuum cleaner is used, it must provide a minimum flow rate of 20 m/s.

When using an external deduster, such as a Pallmann Dust or Wolff Starvac, please use the connection adapter enclosed in the delivery.

8.7 Switching off and storing the machine

When switching the machine off, the lowering lever must be in the up position.

The machine must be secured to prevent it from rolling away.

Store the machine in an enclosed, dry space.



PALLMANN

9 EC-Declaration of conformity

The manufacturer

Wolff GmbH & Co. KG, Ungerhalde 1, D-74360 Ilsfeld, Deutschland

manifests, that the following product:

Bauart: Parquet sanding machine
Typ: **Cobra CLASSIC**
Artikelnummer: #74540, # 75488, #75490, #75489, #71845, #78499, #75492, # 78500,
78491, #078501, #77752

Seriennummer: see type plate

has been developed, designed and produced in series according to the EU-directives:

Machinery Directive	2006/42/EG	vom 17.05.2006
Electromagnetic Compatibility Directive:	2004/108/EG	vom 15.12.2004
Low Voltage Directive:	2006/95/EG	vom 12.12.2006

Following harmonised standards are being used:

DIN EN 626-1: Safety of machinery - Reduction of risks to health from hazardous substances emitted by machinery
Part 1: Principles and specifications for machinery manufacturers

DIN EN 1037: Safety of machinery - Prevention of unexpected start-up

EN ISO 12100: Safety of machinery - General principles for design - Risk assessment and risk reduction

DIN EN 60204-1: Safety of machinery - Electrical equipment of machines - Part 1: General requirements

DIN EN 60745-1: Hand-held motor-operated electric tools - Safety - Part 1: General requirements

DIN EN 55014-1: Electromagnetic compatibility - Requirements for household appliances, electric tools and similar electrical appliances - Part 1: Emission.

DIN EN 55014-2: Electromagnetic compatibility - Requirements for household appliances, electric tools and similar electrical appliances - Part 2: Immunity.

Authorised representative to issue this declaration and to compile the technical documentation:

Dieter Hammel Dipl.-Ing. (FH)
WOLFF GmbH & CO. KG
Ungerhalde 1
D-74360 Ilsfeld, den 08.01.2014



PALLMANN

10 Warranty

The warranty period for new Pallmann machines shall last for one year from the point at which the machine is transferred / delivered to the customer, insofar as statutory legal requirements do not stipulate otherwise.

When validating warranty claims, the invoice or proof of purchase must always be submitted. All repairs within the framework of the warranty agreement must be undertaken by a service centre that has been accredited by us.

Customers performing their own repairs and/or improper repairs regularly lead to the exclusion of warranty claims. The same also applies to incorrect operation and/or use.

Replacement of parts, accessories and other modifications to Pallmann machines

Users of Pallmann machines enjoy a high level of safety and reliability of their machine. In order to maintain this status quo, your Pallmann tool may not be modified from the condition in which it is delivered without following the rules below. These rules apply to both the replacement of parts and equipping the machine with accessories as well as other technical modifications.

- ▶ All work undertaken to your Pallmann machine must be **undertaken exclusively by a workshop** that has suitably trained and experienced personnel at its disposal, as well as the requisite work equipment. We recommend using authorised service centres.
- ▶ In the event of planned replacement of parts, planned addition of accessories or other planned technical modifications, an assessment must always be carried out by an authorised service centre or us, as manufacturer, before work is commenced.
- ▶ It is highly recommend that only safety-approved Original Pallmann replacement parts and Original Pallmann accessories are used, which have been approved by us, as manufacturer.

Replacement parts and accessories can be obtained from your authorised service centre, which will also be able to undertake professional installation on your behalf. Original Pallmann replacement parts and Original Pallmann accessories have been checked for safety and suitability especially for Pallmann machines.

We are unable to adequately assess the safety and suitability of non-Original Pallmann replacement parts.

- ▶ In order to preserve operational safety and to prevent damage in the event of technical modifications, of whatsoever nature, our technical guidelines must always be observed. We are also always happy to hear from you should you have any other questions about your Pallmann machine.

Please note that we cannot accept any liability for damage, insofar as this is sustained as the result of incorrect work undertaken or as the result of violation of the rules stated above.