



**Instruction Guide:**  
**- Universal -**  
**Mule Carrier Bike Rack**

# Checklist



- + REVIEW PACKING SLIP TO ENSURE YOU'VE RECEIVED ALL COMPONENTS**
- + PREPARE ALL TOOLS NECESSARY FOR PRODUCT INSTALLATION**
- + PRE-MEASURE DISTANCES OF ALL PRODUCT MOUNTING LOCATIONS**
- + CONFIRM CLEARANCES FOR OTHER INSTALLED BUILD COMPONENTS**
- + FOLLOW ALL SAFETY PRECAUTIONS WHEN WORKING ON THE VEHICLE**

# Packing Slip



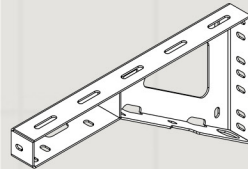
## Components List

VNSPD-058-(SUBASSEMBLY#)

### Mounting Base (Left)

VNSPD-058-SA1

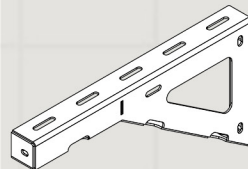
Quantity : x1



### Mounting Base (Right)

VNSPD-058-SA2

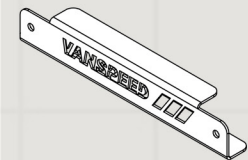
Quantity : x1



### Center Brace

VNSPD-058-SA3

Quantity : x1



# Packing Slip



## Hardware Kit

VNSPD-058-HK

**5/16" Button Head Bolts**

Quantity : x4



**5/16" Steel Flat Washers**

Quantity : x8



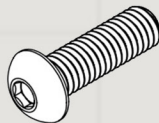
**5/16" Nylon Lock Nuts**

Quantity : x4



**3/8" Button Head Bolts**

Quantity : x6



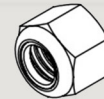
**3/8" Steel Flat Washers**

Quantity : x12



**3/8" Nylon Lock Nuts**

Quantity : x6

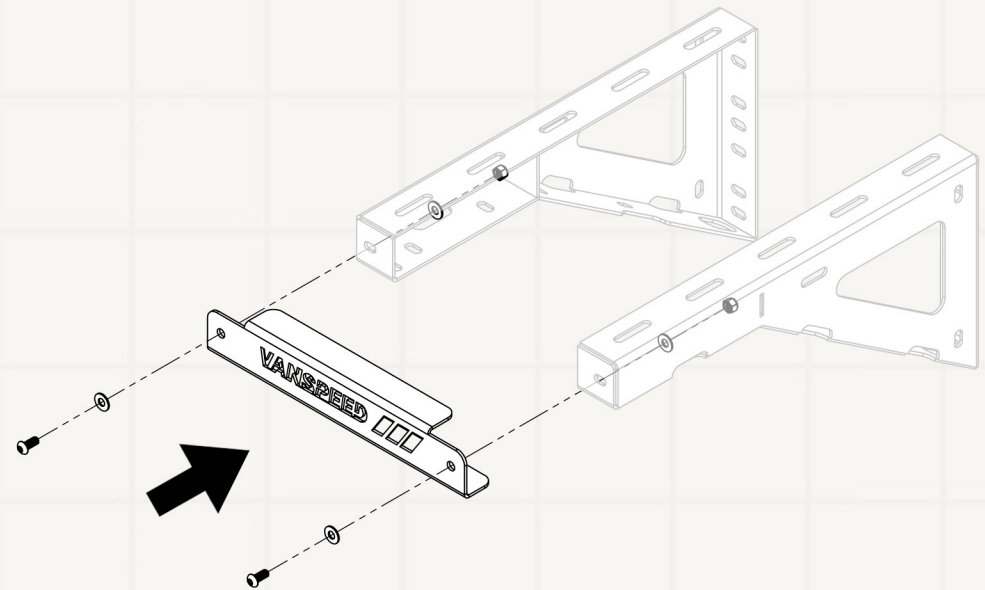


# Step 01



## Attach the Center Brace to the Left & Right Mounting Base

From the outside facing in, use (x2) 5/16" button head bolts w/ (x2) 5/16" flat washers to attach either side of the Center Brace to the Left & Right Mounting Base through (x2) additional 5/16" flat washers & (x2) 5/16" nylon lock nuts on the inside.



Hardware:

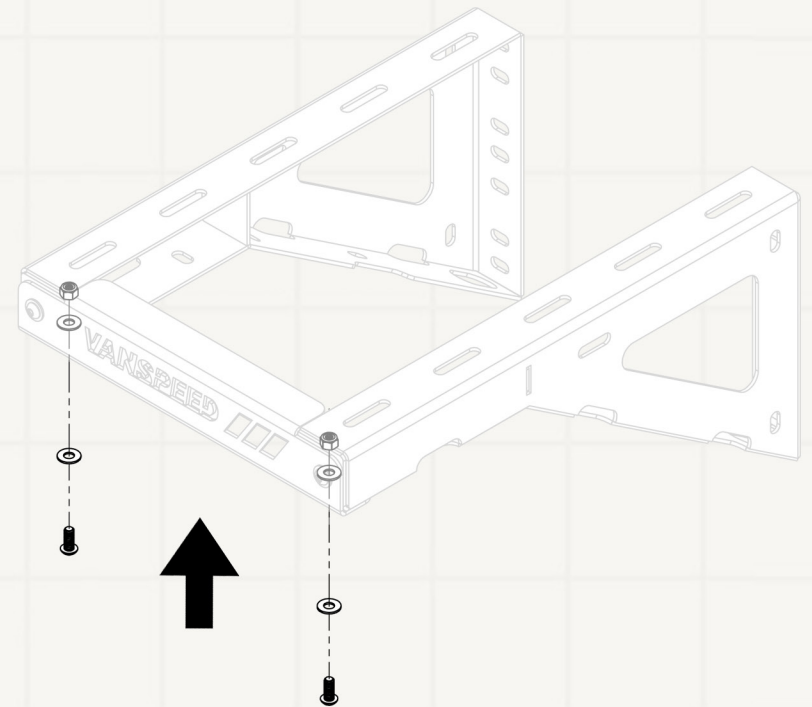


# Step 02



## Secure the Center Brace to the Left & Right Mounting Base

From the bottom facing upwards, use (x2) 5/16" button head bolts w/ (x2) 5/16" flat washers to secure either side of the Center Brace to the Left & Right Mounting Base through (x2) additional 5/16" flat washers & (x2) 5/16" nylon lock nuts on the inside.



Hardware:

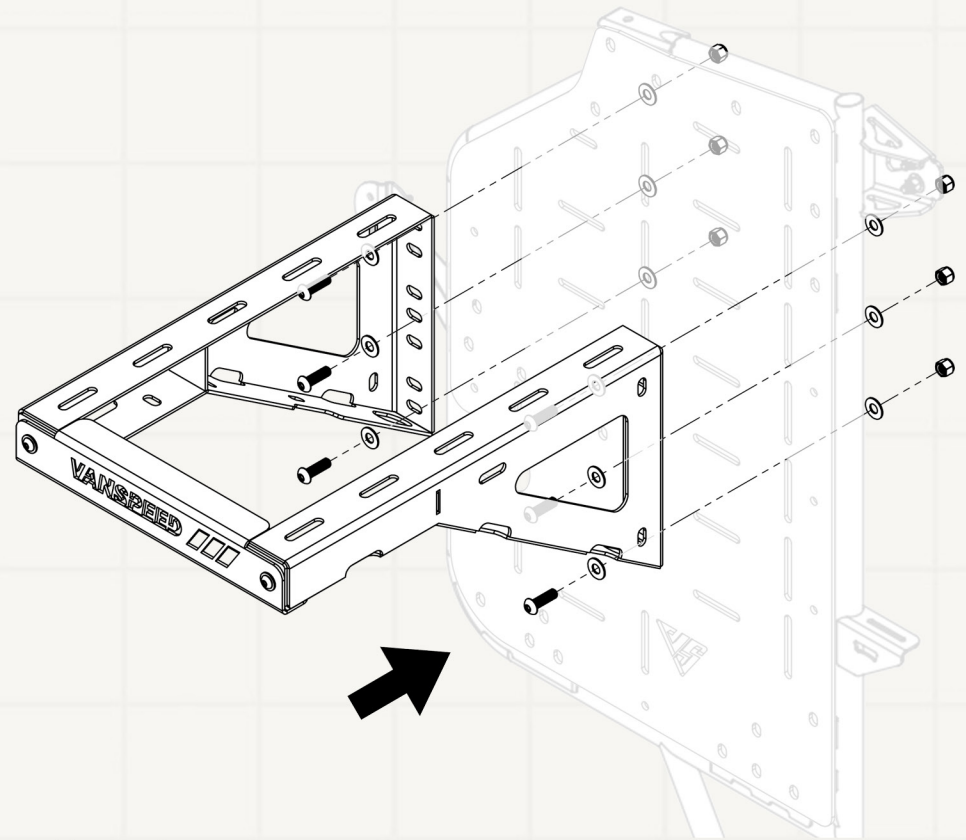


# Step 03



## Attach the Mule Carrier Bike Rack to the Mule Carrier Mounting Plate

From the outside facing in on each side of the Bike Rack, use (x3) 3/8" button head bolts w/ (x3) 3/8" flat washers to mount either side of the Mule Carrier Bike Rack to the upper portion of the Mule Carrier Mounting Plate through (x3) additional 3/8" flat washers & (x3) 3/8" nylon lock nuts on the reverse side.



Hardware:



You've Reached the Finish Line

