

**Instruction Guide:  
Sprinter - Tire Carrier  
Base (Driver)**

# Checklist



- + REVIEW PACKING SLIP TO ENSURE YOU'VE RECEIVED ALL COMPONENTS**
- + PREPARE ALL TOOLS NECESSARY FOR PRODUCT INSTALLATION**
- + PRE-MEASURE DISTANCES OF ALL PRODUCT MOUNTING LOCATIONS**
- + CONFIRM CLEARANCES FOR OTHER INSTALLED BUILD COMPONENTS**
- + FOLLOW ALL SAFETY PRECAUTIONS WHEN WORKING ON THE VEHICLE**

# Packing Slip



## Components List

VNSPD-031-(SUBASSEMBLY#)

+

+

+

+

+

### Tire Carrier Base (Driver)

VNSPD-031-SA1

Quantity : x1



+

+

+

### Center-Mount Backing Plate

VNSPD-031-SA2

Quantity : x1



+

+

+

### Upper Door Hinge Backing Plate

VNSPD-031-SA3

Quantity : x1



+

+

+

### Lower Door Hinge Backing Plate

VNSPD-031-SA4

Quantity : x1



+

+

+

# Packing Slip

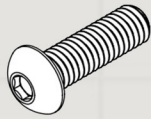


## Hardware Kit

VNSPD-031-HK

**3/8" Button Head Bolts**

Quantity : x4



**3/8" Steel Flat Washers**

Quantity : x8



**3/8" Nylon Lock Nuts**

Quantity : x4



**1/4" Button Head Bolts**

Quantity : x2



**1/4" Steel Flat Washers**

Quantity : x4



**1/4" Nylon Lock Nuts**

Quantity : x2



**Anti-Seize Pack**

Quantity : x1

# Step 01

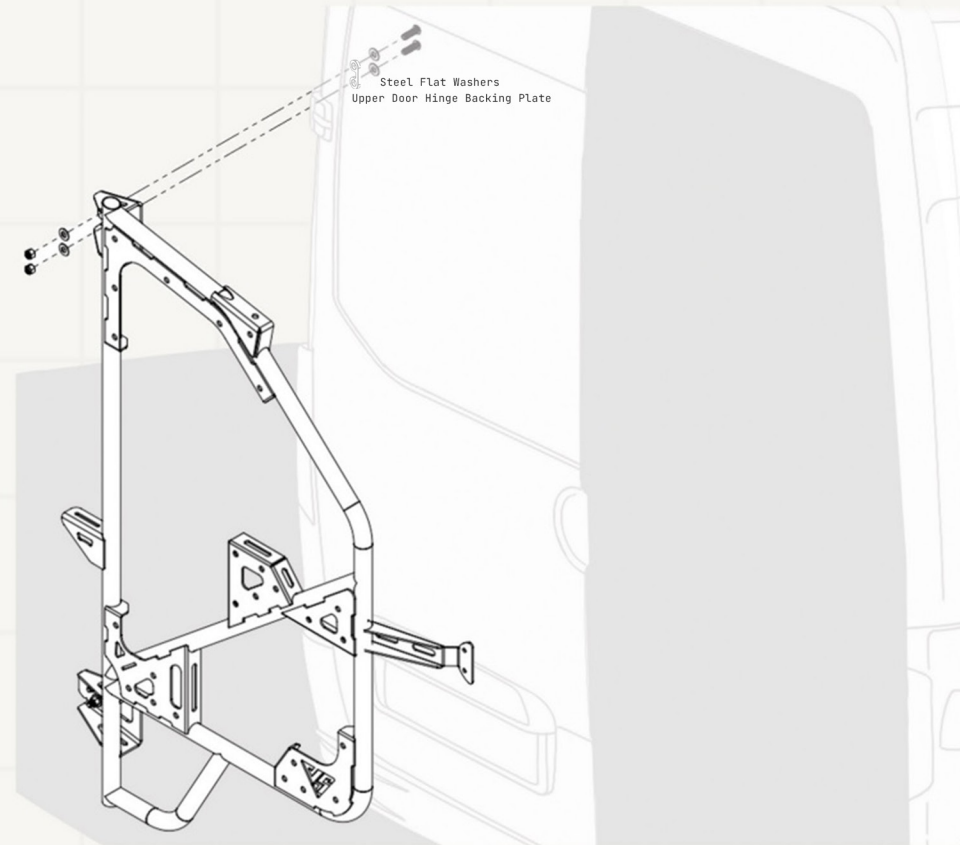


## Secure the upper mount of the Tire Carrier Base through the top hinge

From the inside facing out, use (x2) 3/8" button head bolts w/ (x2) 3/8" flat washers & the Upper Door Hinge Backing Plate to thread the bolts through the 180° hinge & Tire Carrier Base upper mount into the (x2) 3/8" flat washers & (x2) 3/8" nylon lock nuts.

Note\* Apply a portion of the anti-seize included within the hardware pack along the threads of both the bolts and lock nuts.

Leave enough anti-seize inside the pack to apply during the following step



### Hardware:



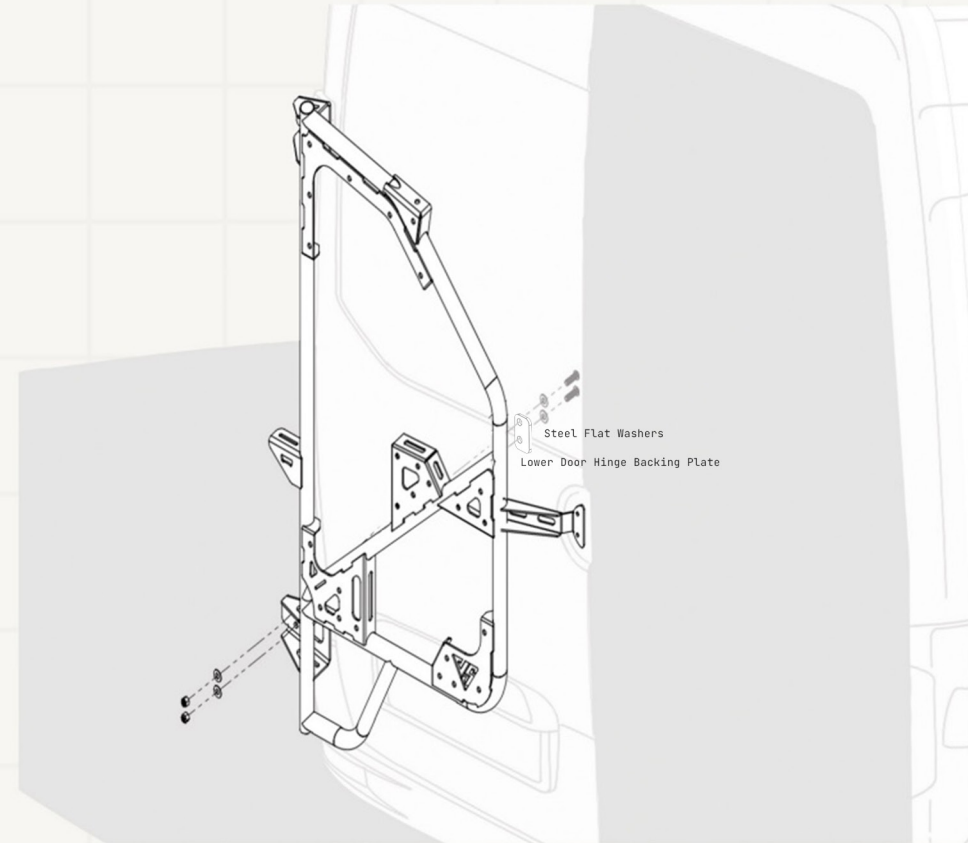
# Step 02



## Secure the lower mount of the Tire Carrier Base through the bottom hinge

From the inside facing out, use (x2) 3/8" button head bolts w/ (x2) 3/8" flat washers & the Lower Door Hinge Backing Plate to thread the bolts through the 180° hinge & Tire Carrier Base lower mount into the (x2) 3/8" flat washers & (x2) 3/8" nylon lock nuts.

Note\* Apply a portion of the anti-seize included within the hardware pack along the threads of both the bolts and lock nuts.



### Hardware:



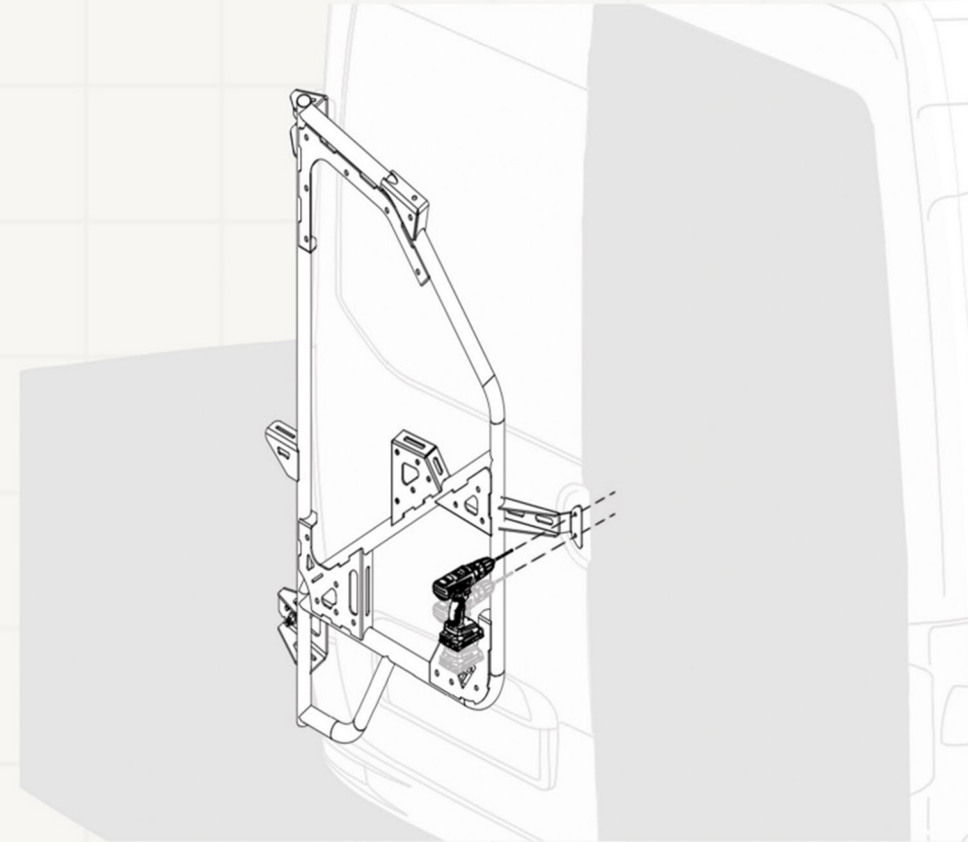
# Step 03



## Mark and drill the center mounting holes on the driver-side rear door

Underneath the driver-side rear door center emblem, use the two holes on the Tire Carrier Base's center mount as a guide to mark & drill (x2) bolt holes through the driver-side rear door.

Note\* Double check the alignment of the Tire Carrier Base before making any irreversible alterations to your vehicle.



Hardware:

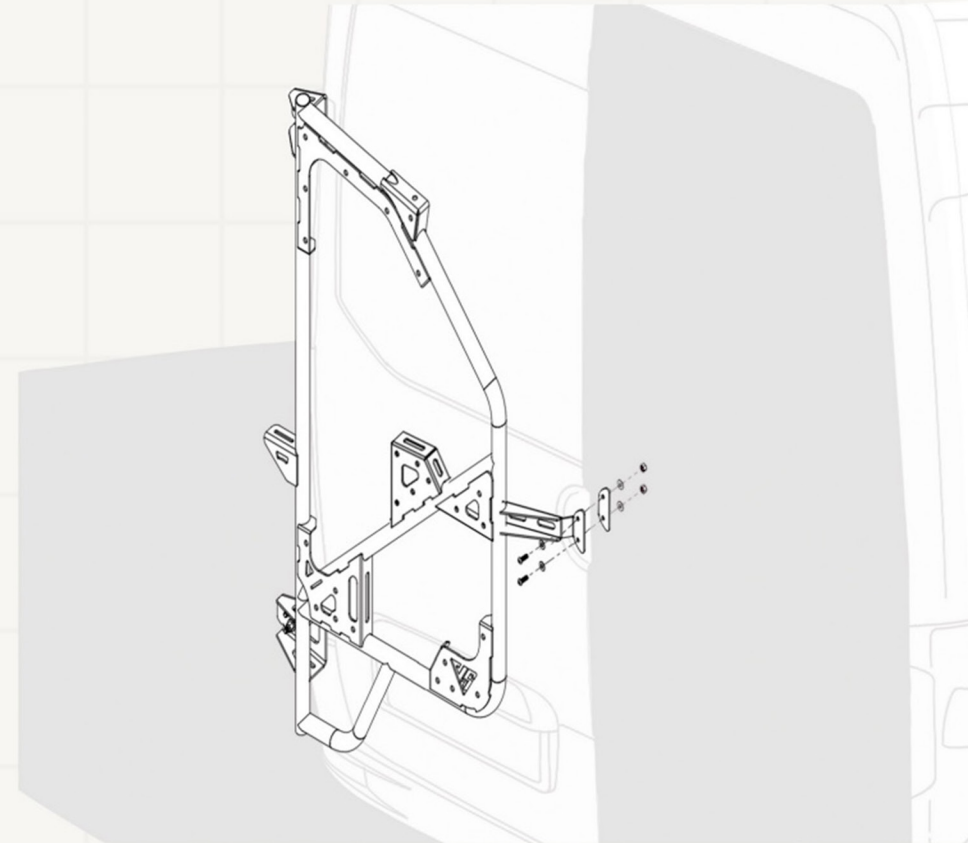


# Step 04



## Secure the Tire Carrier Base to the center mount on the driver-side door

After both holes have been drilled, from the outside facing in, thread (x2) 1/4" button head bolts w/ (x2) 1/4" flat washers through the Tire Carrier Base center mount & driver-side rear door into the (x1) backing plate w/ (x2) additional 1/4" flat washers & (x2) 1/4" nylon lock nuts to complete the installation of the Tire Carrier Base.



Hardware:





You've Reached the Finish Line

