

**Instruction Guide:
Sprinter - Mule Carrier
Base (Passenger)**

Checklist



- + REVIEW PACKING SLIP TO ENSURE YOU'VE RECEIVED ALL COMPONENTS**
- + PREPARE ALL TOOLS NECESSARY FOR PRODUCT INSTALLATION**
- + PRE-MEASURE DISTANCES OF ALL PRODUCT MOUNTING LOCATIONS**
- + CONFIRM CLEARANCES FOR OTHER INSTALLED BUILD COMPONENTS**
- + FOLLOW ALL SAFETY PRECAUTIONS WHEN WORKING ON THE VEHICLE**

Packing Slip



Components List

VNSPD-031B- (SUBASSEMBLY#)

+

+

+

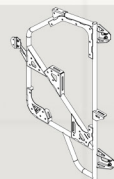
+

+

**Mule Carrier Base
(Passenger)**

VNSPD-031B-SA1

Quantity : x1



+

+

+

**Upper Door Hinge
Backing Plate**

VNSPD-031-SA3

Quantity : x1



+

+

+

**Lower Door Hinge
Backing Plate**

VNSPD-031-SA4

Quantity : x1



+

+

+

Packing Slip

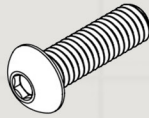


Hardware Kit

VNSPD-031-HK

3/8" Button Head Bolts

Quantity : x4



3/8" Steel Flat Washers

Quantity : x8



3/8" Nylon Lock Nuts

Quantity : x4



1/4" Button Head Bolts

Quantity : x2



1/4" Steel Flat Washers

Quantity : x4



1/4" Nylon Lock Nuts

Quantity : x2



Anti-Seize Pack

Quantity : x1

Step 01

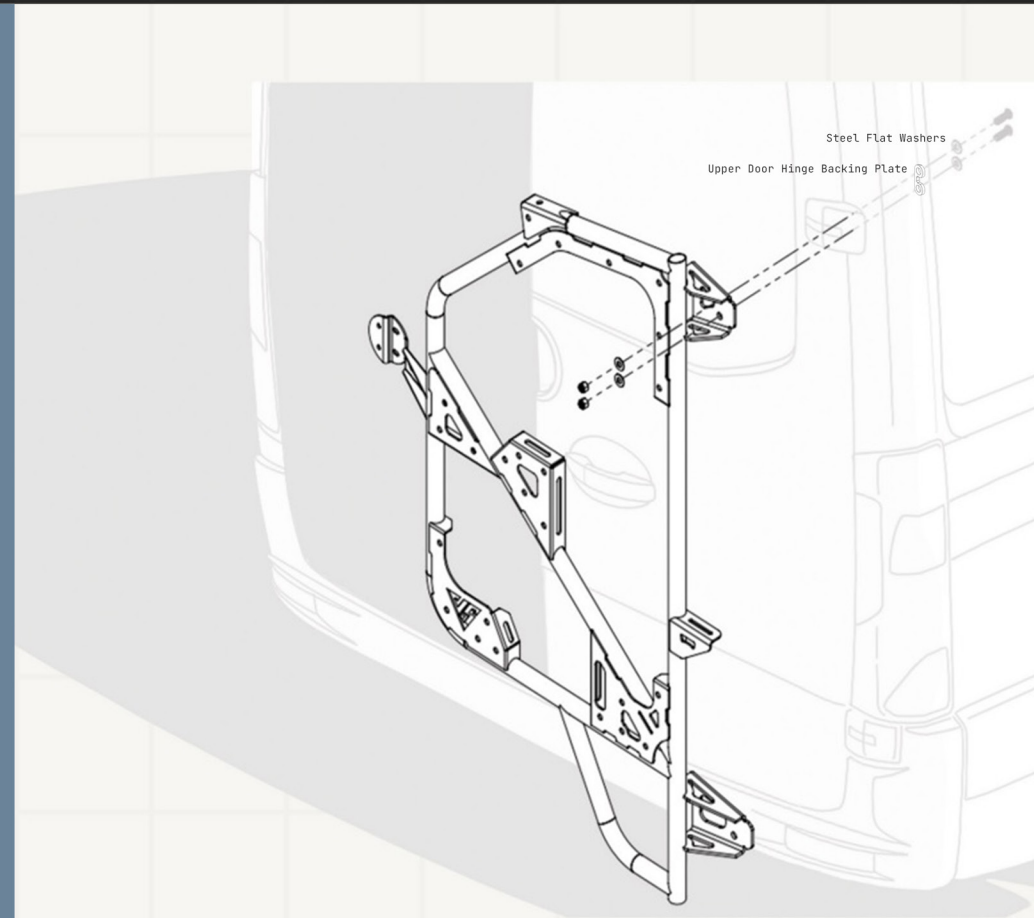


Secure the upper mount of the Mule Carrier Base through the top hinge

From the inside facing out, use (x2) 3/8" button head bolts w/ (x2) 3/8" flat washers & the Upper Door Hinge Backing Plate to thread the bolts through the 180° hinge & Mule Carrier Base upper mount into the (x2) 3/8" flat washers & (x2) 3/8" nylon lock nuts.

Note* Apply a portion of the anti-seize included within the hardware pack along the threads of both the bolts and lock nuts.

Leave enough anti-seize inside the pack to apply during the following step



Hardware:



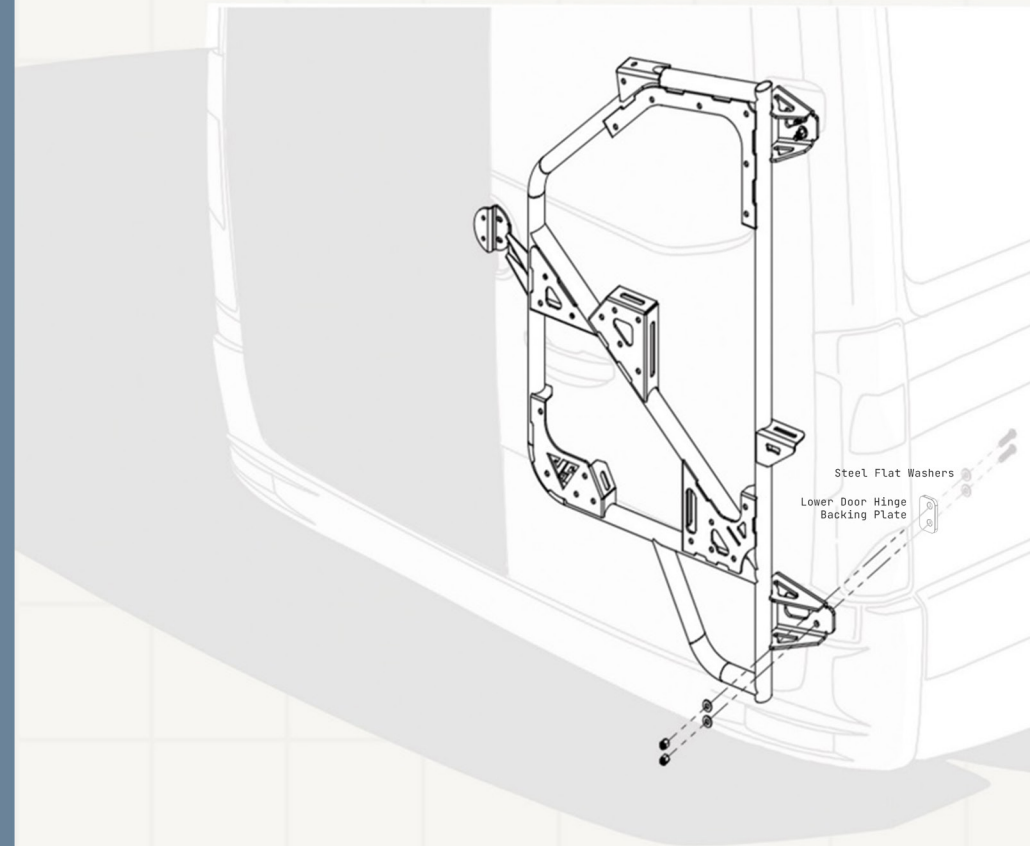
Step 02



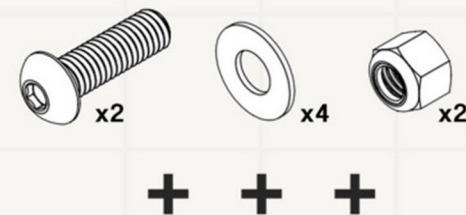
Secure the lower mount of the Mule Carrier Base through the bottom hinge

From the inside facing out, use (x2) 3/8" button head bolts w/ (x2) 3/8" flat washers & the Lower Door Hinge Backing Plate to thread the bolts through the 180° hinge & Mule Carrier Base lower mount into the (x2) 3/8" flat washers & (x2) 3/8" nylon lock nuts.

Note* Apply a portion of the anti-seize included within the hardware pack along the threads of both the bolts and lock nuts.



Hardware:

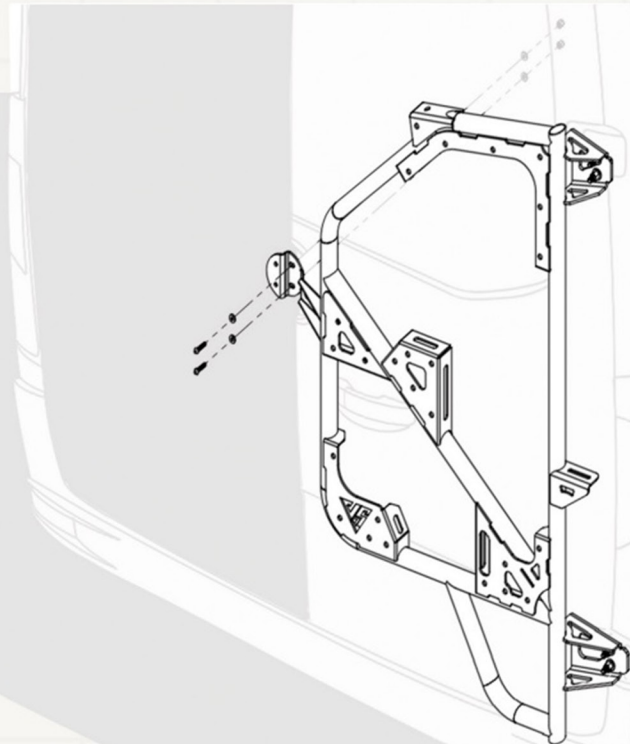


Step 03



Secure the Mule Carrier Base to the center mount on the passenger-side door

From the outside facing in, thread (x2) 1/4" button head bolts w/ (x2) 1/4" flat washers through the Mule Carrier Base center mount & driver-side rear door into the (x2) additional 1/4" flat washers & (x2) 1/4" nylon lock nuts.



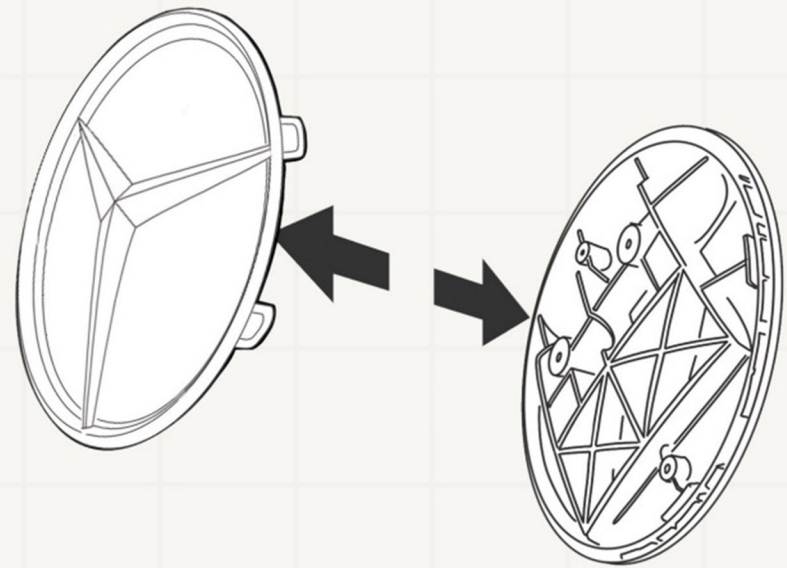
Step 04



Separate both sides of the Mercedes-Benz emblem apart from one another

After making a small marking on either side of the emblem to indicate the logo's original orientation, use a pry tool to separate the Mercedes-Benz emblem's outer face from the emblem base.

Note* Carefully wedge the pry tool around the circumference of the emblem until all of the inner tabs have been released



Step 05



Modify the inside of the Mercedes-Benz emblem's outer face

From inside the newly-separated emblem, use a rotary tool to grind away the concentric ribbing along the outer edge of the inner emblem face, as well as the raised cylindrical support towards the center of the emblem's inner face.

Note* If you do not have a rotary tool, cutting pliers will work as a substitution, but the resulting surfaces will likely be uneven. Grind the remaining surfaces all the way smooth with sandpaper for the best result



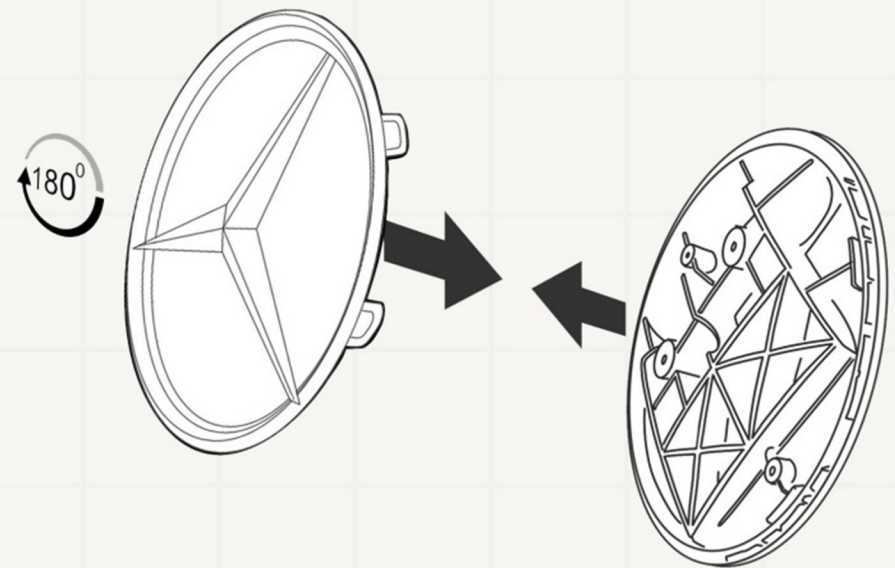
Step 06



Rejoin both sides of the Mercedes-Benz emblem after rotating 180°

After rotating the emblem face 180° from the original position, perform one final visual inspection to ensure that the Mercedes-Benz logo is facing in the correct orientation before rejoining both sides of the emblem back together.

Note* If you're having trouble rejoining the emblem, perform a visual inspection of the inside face to ensure that none of the residual ribbing surfaces are interfering on either side

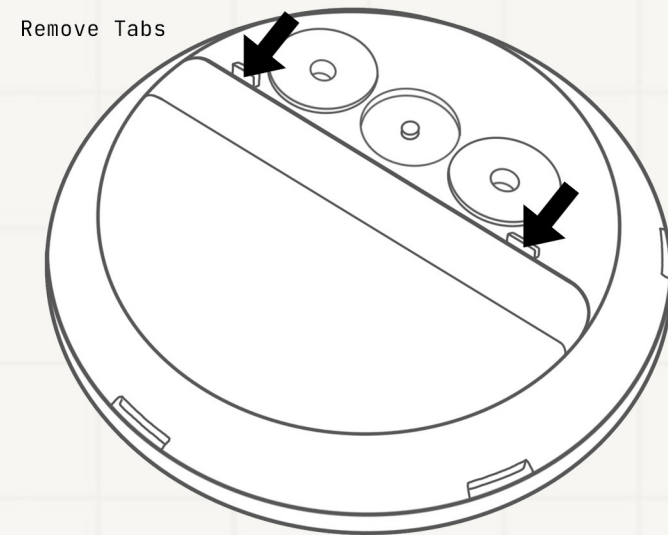


Step 07



Grind down both center tabs along the outside of the Emblem Base

To prevent interference with the Mule Carrier Base's center emblem mount, use a rotary tool or a cutting tool to remove the two small tabs running down the outside of the Emblem Base.

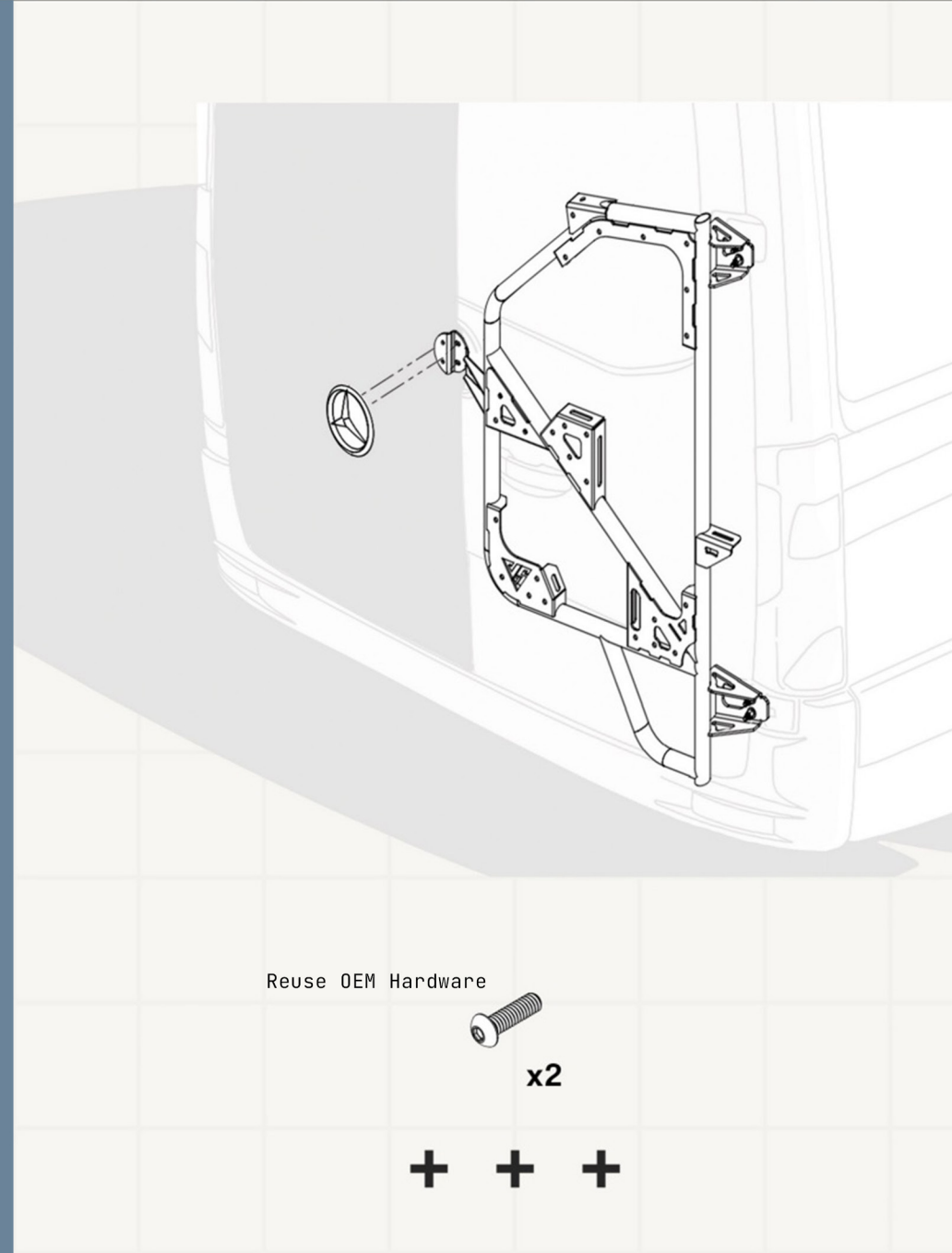


Step 08



Attach Mercedes-Benz emblem to Mule Carrier Base center mount

Once both sides of the emblems have been put back together, from the rear facing forward, reuse the original factory Mercedes-Benz emblem hardware to mount the emblem from the raised surface on the Mule Carrier Base's center mount.



You've Reached the Finish Line

