



Instruction Guide:

- Sprinter -
Side Ladder

Checklist



- + REVIEW PACKING SLIP TO ENSURE YOU'VE RECEIVED ALL COMPONENTS**
- + PREPARE ALL TOOLS NECESSARY FOR PRODUCT INSTALLATION**
- + PRE-MEASURE DISTANCES OF ALL PRODUCT MOUNTING LOCATIONS**
- + CONFIRM CLEARANCES FOR OTHER INSTALLED BUILD COMPONENTS**
- + FOLLOW ALL SAFETY PRECAUTIONS WHEN WORKING ON THE VEHICLE**

Packing Slip



Components List

VNSPD-015-(SUBASSEMBLY#)

Side Ladder

VNSPD-015-SA1

Quantity : x 1



Lower Mounting Plates

VNSPD-015-SA2

Quantity : x 2



Roof Rail Twin Sliders

VNSPD-069-SA1

Quantity : x 2



Hardware Kit

VNSPD-015-HK

5/16" Button Head Bolts

Quantity : x 8



5/16" Steel Flat Washers

Quantity : x 12



5/16" Serrated Flange Nuts

Quantity : x 8



5/16" Nylon Lock Nuts

Quantity : x 4



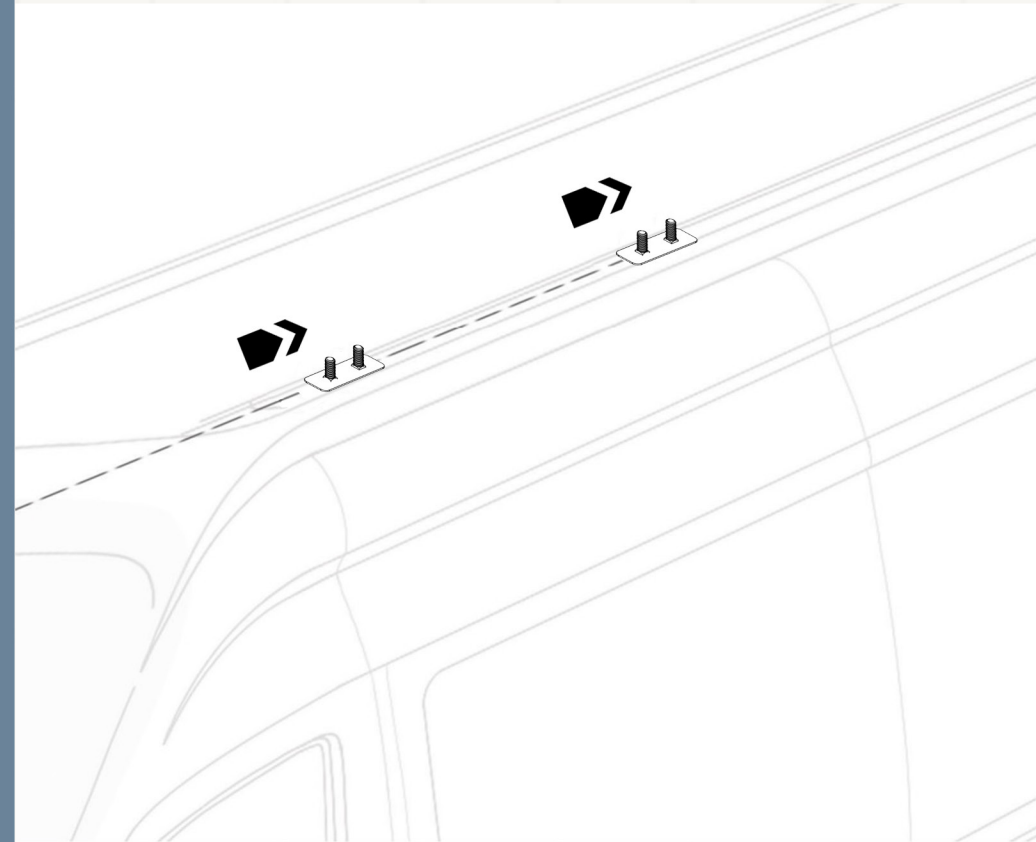
Step 01



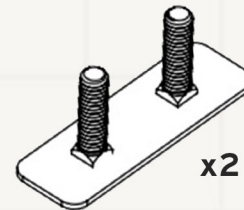
Feed both Twin Roof Rail Sliders into the vehicle's integrated roof rails

From the front or the rear of the vehicle's roof section, insert (x2) of the Twin Roof Rail Sliders into the integrated roof railing. Move the sliders to the approximate position along the rail

Note* To more-easily reference the placement of the ladder in later steps, you might want to measure the distance from the end of the roof rail to where each of the sliders sit along the length of the rail (in order to help maintain consistency)



Hardware:



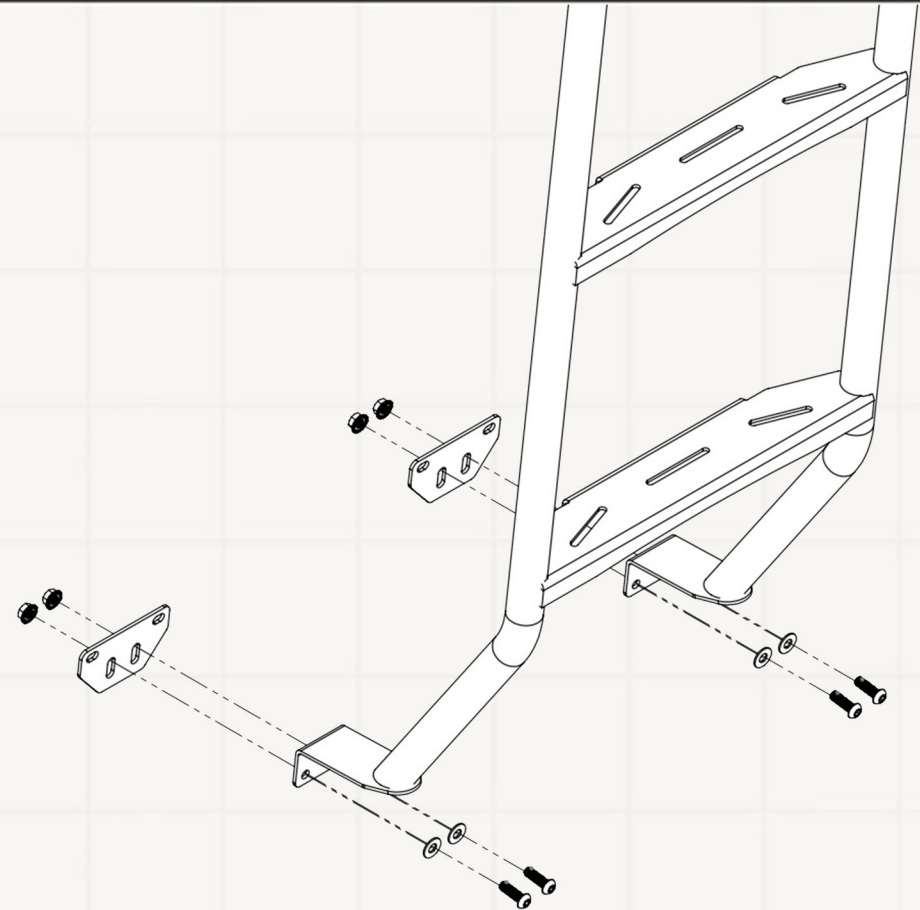
Step 02



Attach Lower Mounting Plates to Side Ladder lower mounts

From the outside facing in, on each lower mounting point, hand-thread (x2) button head bolts along w/ (x2) steel flat washers through the side ladder & the lower mounting bracket's inner slotted channels into (x2) serrated lock nuts.

Note* Leave all hardware loosely hand-threaded for now to make the rest of the installation sequence easier & more percise



Hardware:



x4



x4



x4



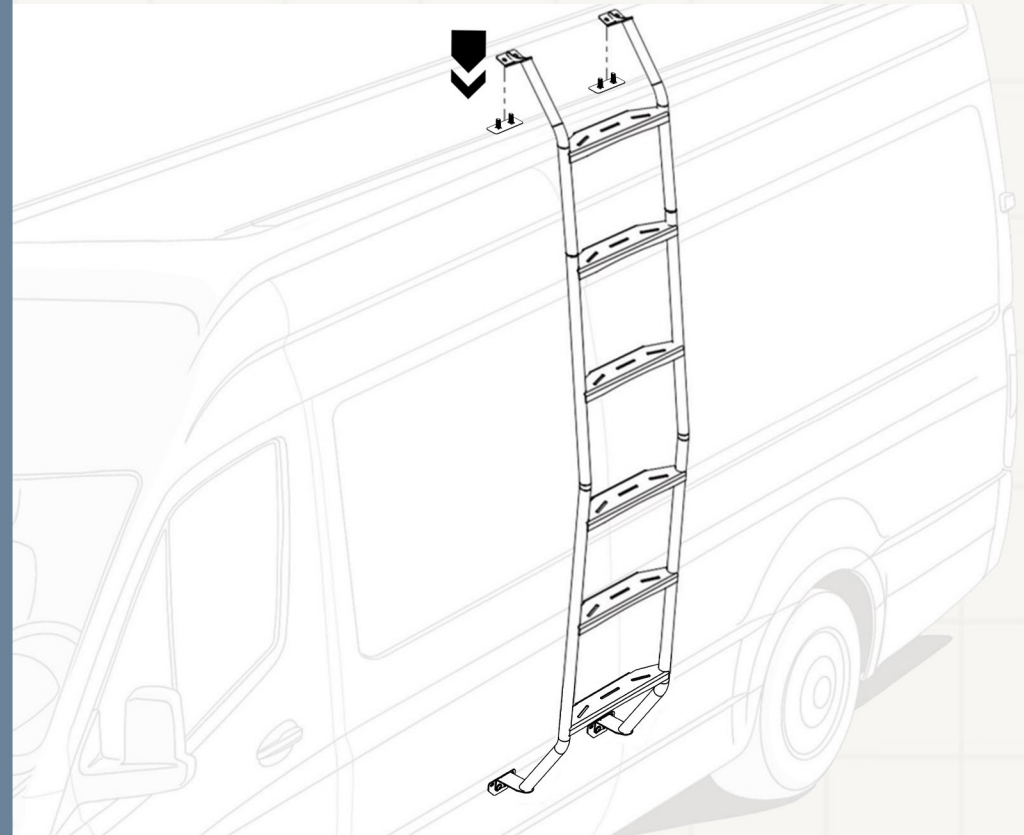
Step 03



Thread Side Ladder through Twin Roof Rail Slider Studs

Carefully thread both twin roof rail slider studs through the bolt holes on the Side Ladder's upper mounts.

Note* It might be helpful to try and thread the side ladder's upper mount holes one pair of slider studs at a time if the distance between both sliders is slightly off



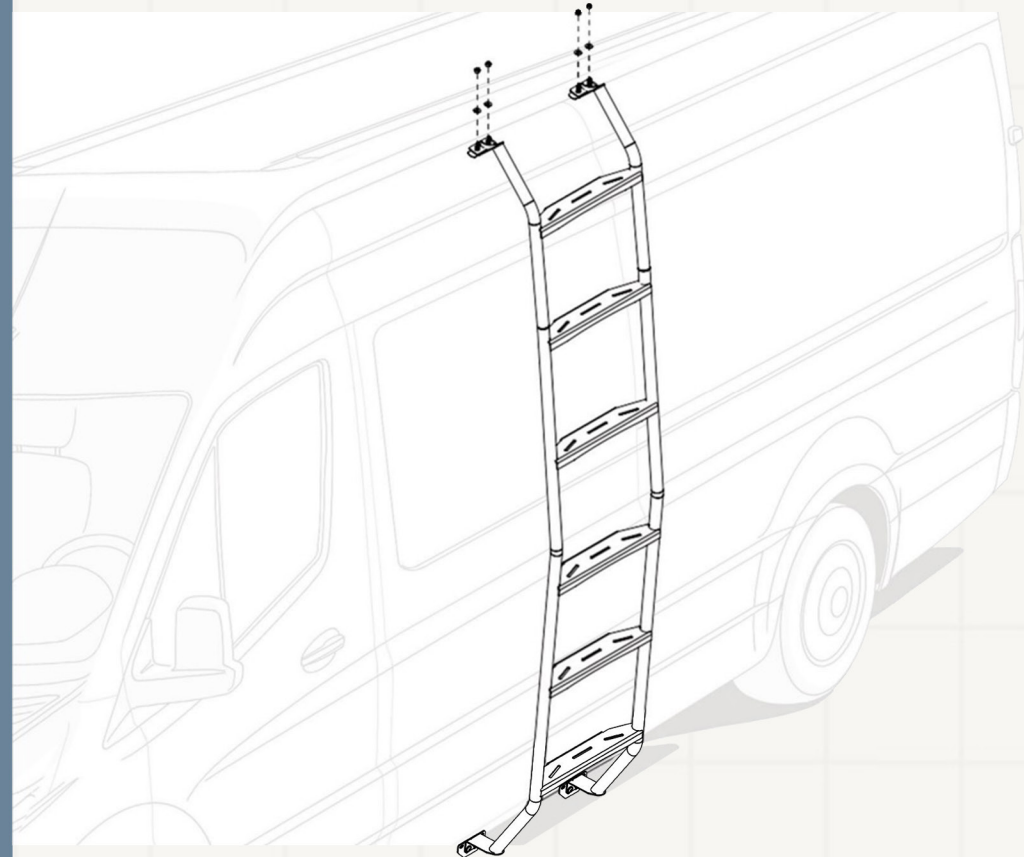
Step 04



Secure Side Ladder into place along the vehicle's integrated roof rail

From the top facing down, on each slider stud, hand-thread (x1) nylon lock nut over (x1) steel flat washer until the Side Ladder is secure against all four slider studs.

Note* Leave all hardware loosely hand-threaded for now to make the rest of the installation sequence easier & more percise



Hardware:



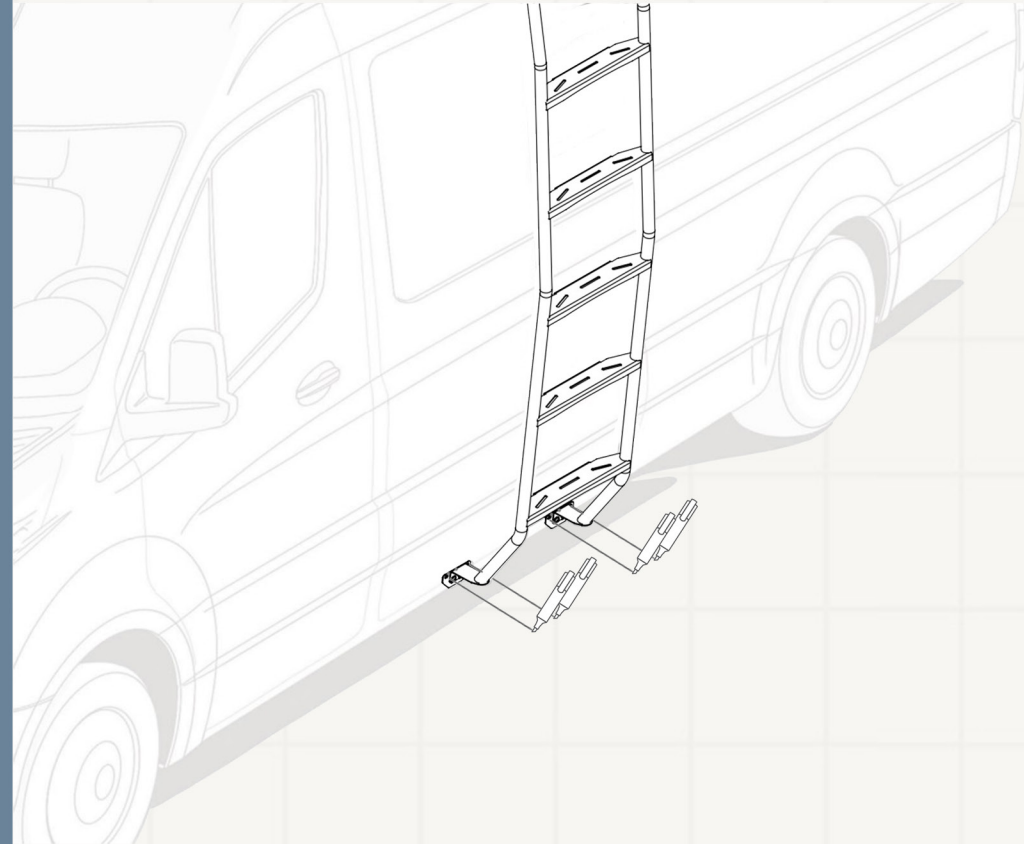
Step 05



Use Lower Brackets to mark and drill bolt holes into vehicle's pinch seam

Once the top mounts of the Side Ladder have been loosely secured, use the lower mounting bracket's outer slotted channels to make markings along the outer face of the vehicle's pinch seam.

Note* Use the slotted channels on the lower mounting plates to align the plates flush with the pinch seam before marking off holes



Hardware:



x4
MARKS

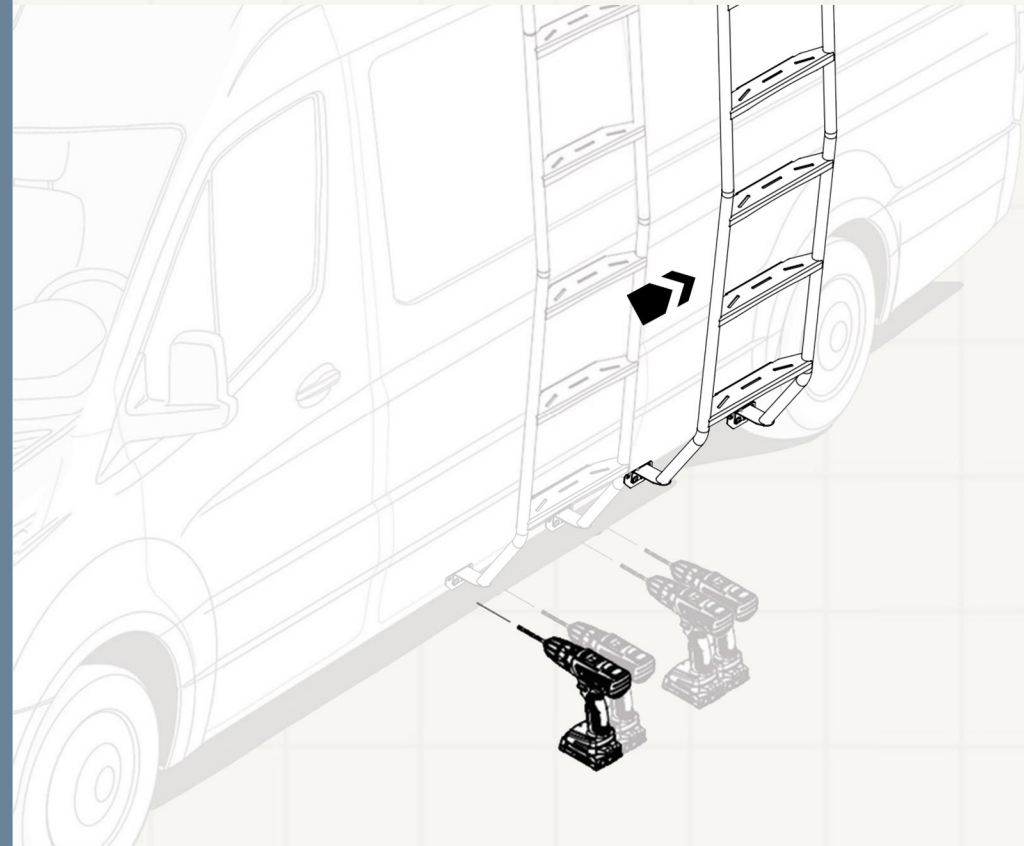


Step 06



Move Side Ladder out of the way and drill out the pinch seam bolt holes

Once the four holes have been marked along the outer face of the pinch seam, carefully slide the Side Ladder out of the way to give yourself enough room to drill the four holes wherever markings have been indicated.



Hardware:



x4
HOLES



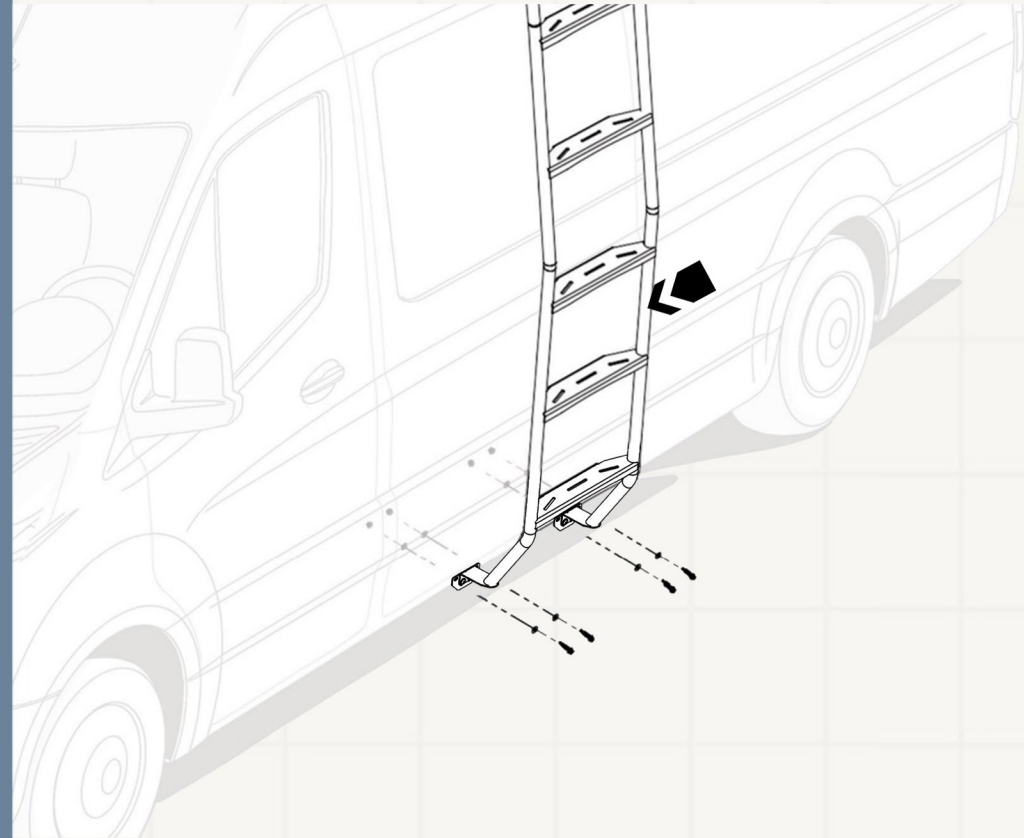
Step 07



Secure Lower Mounting Plates against vehicle's pinch seam

Now that the pinch seam holes have been drilled, move the Side Ladder back into place and secure each Lower Mounting Plate against the pinch seam using (x2) button head bolts w/ (x2) steel flat washers threaded into (x2) serrated flange nuts on the reverse side of the pinch seam

Note* You can tighten these down fully now that all the hardware is in place



Hardware:



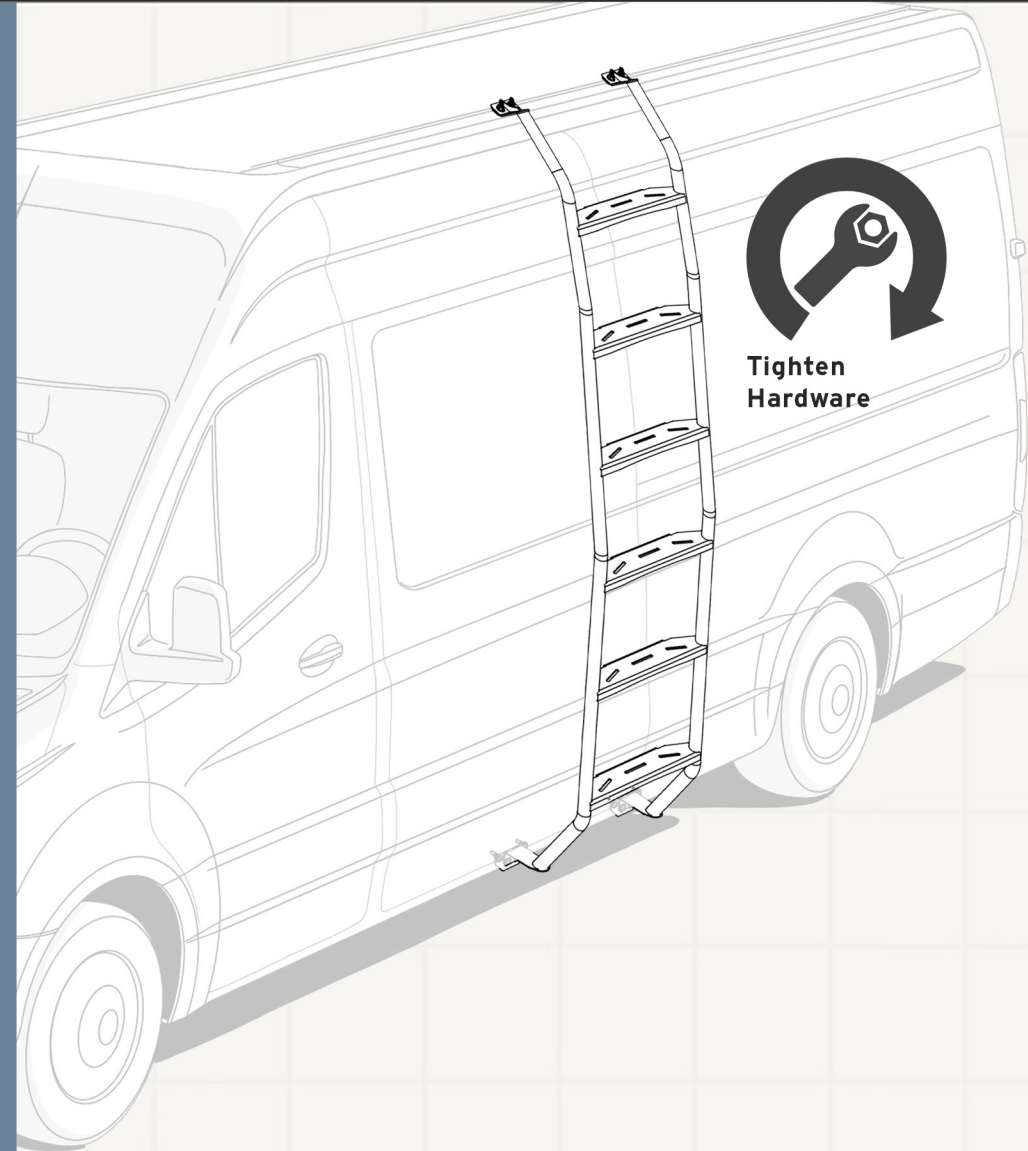
Step 08



Tighten down all Side Ladder hardware from top to bottom

With the Lower Mounting Plates secure against the outer face of the pinch seam, you're free to tighten down the rest of the hardware. Begin with the top mounts and work your way down to the slotted channels where the lower mounting plates meet the Side Ladder.

Once all hardware has been tightened, the installation process is complete.



You've Reached the Finish Line

