

Instruction Guide:

- Sprinter -
Rear Step

Checklist



- + REVIEW PACKING SLIP TO ENSURE YOU'VE RECEIVED ALL COMPONENTS**
- + PREPARE ALL TOOLS NECESSARY FOR PRODUCT INSTALLATION**
- + PRE-MEASURE DISTANCES OF ALL PRODUCT MOUNTING LOCATIONS**
- + CONFIRM CLEARANCES FOR OTHER INSTALLED BUILD COMPONENTS**
- + FOLLOW ALL SAFETY PRECAUTIONS WHEN WORKING ON THE VEHICLE**

Packing Slip



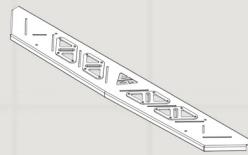
Components List

VNSPD-009-(SUBASSEMBLY#)

Rear Step Platform

VNSPD-009-SA1

Quantity : x1



Hood Light Mount (Passenger)

VNSPD-009-SA5

Quantity : x1



Mounting Bracket (Driver)

VNSPD-009-SA2

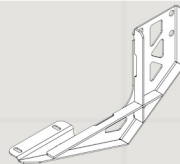
Quantity : x1



Mounting Bracket (Passenger)

VNSPD-009-SA3

Quantity : x1



Corner Plate (Driver)

VNSPD-009-SA4

Quantity : x1



Packing Slip

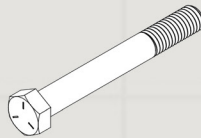


Hardware Kit

VNSPD-066-HK

1/2" Button Head Bolts

Quantity : x 8



1/2" Steel Flat Washers

Quantity : x 16



1/2" Nylon Lock Nuts

Quantity : x 8



5/16" Button Head Bolts

Quantity : x 4



5/16" Steel Flat Washers

Quantity : x 8



5/16" Nylon Lock Nuts

Quantity : x 4



1/4" Button Head Bolts

Quantity : x 6



1/4" Steel Flat Washers

Quantity : x 12



1/4" Nylon Lock Nuts

Quantity : x 6

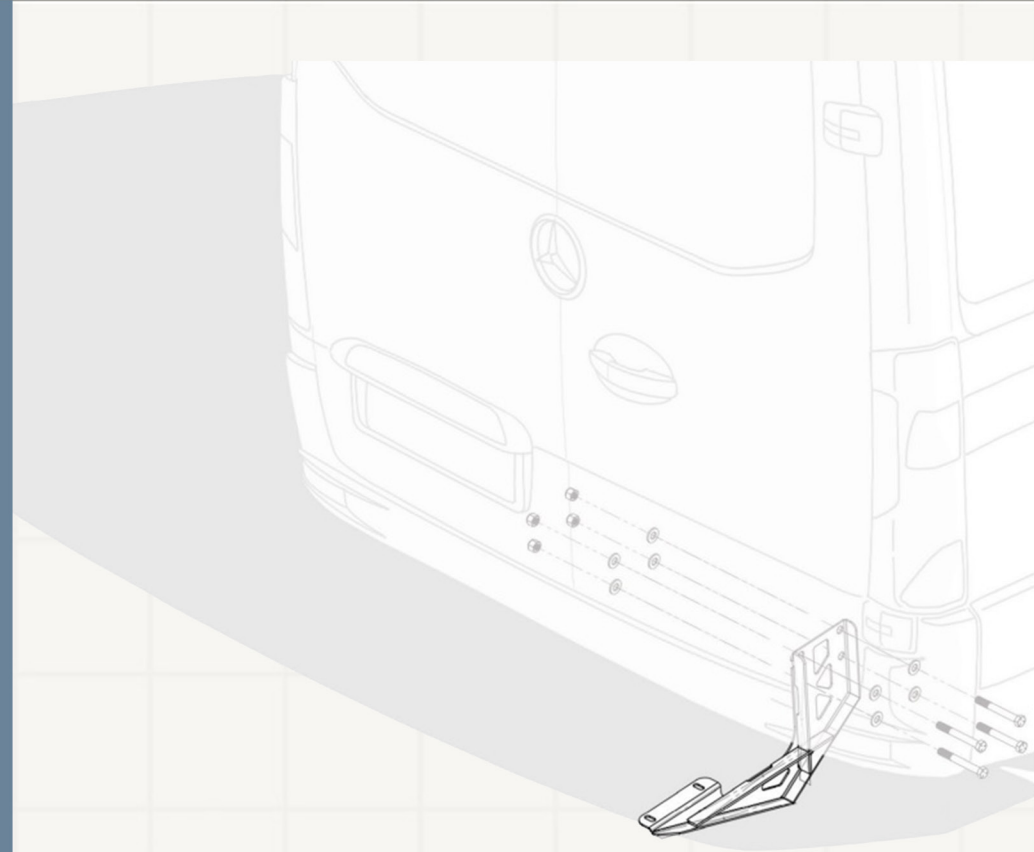


Step 01

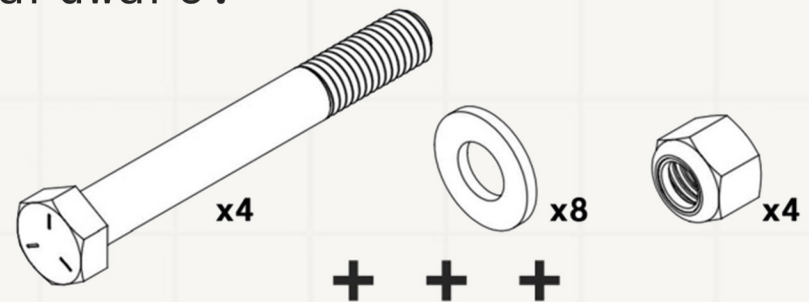


Secure the Mounting Bracket (Passenger) to the vehicle's underbody

From the outside facing in, use (x4) ½" hex head bolts w/ (x8) ½" flat washers (one on each side) through (x4) ½" nylon lock nuts to secure the passenger-side mounting bracket through (x4) pre-existing trailer hitch mounting points on the undercarriage of the vehicle.



Hardware:



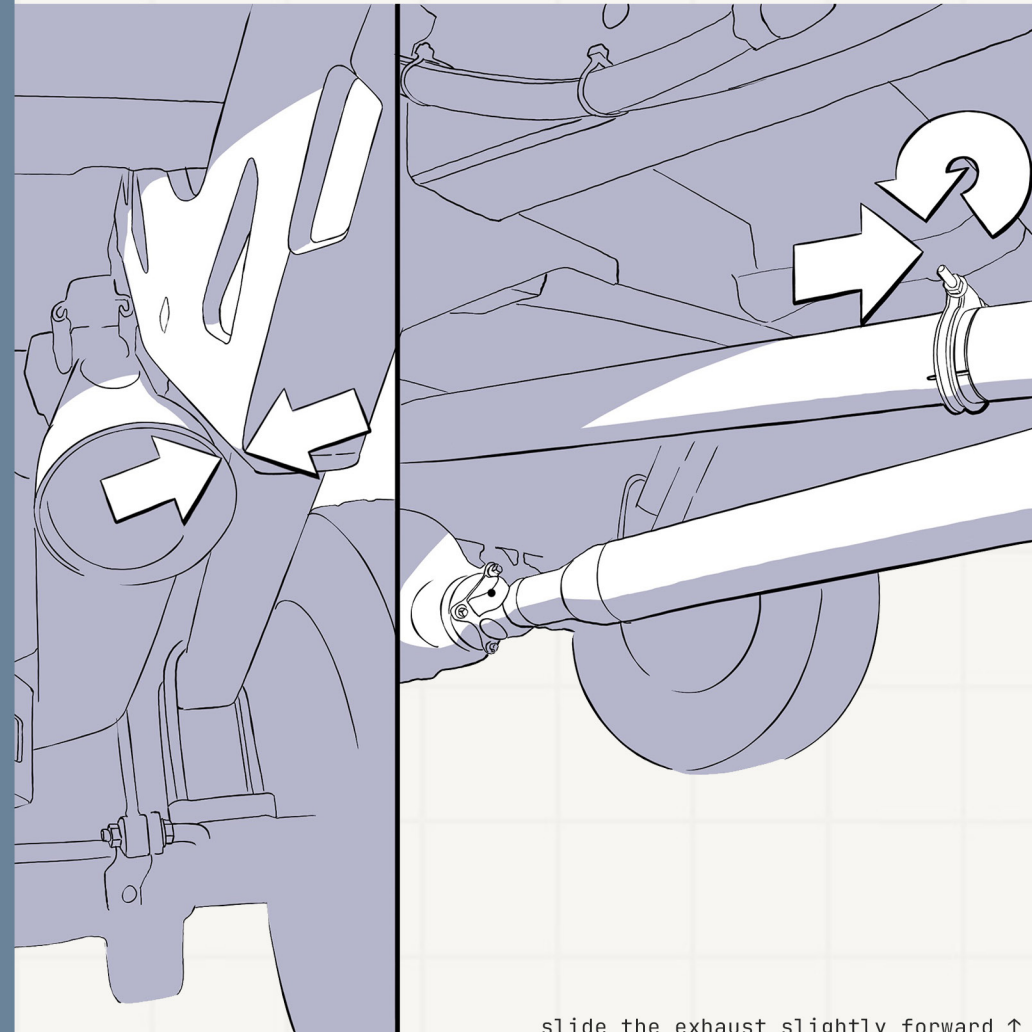
Note



Make sure the exhaust tip clears the Mounting Bracket (Passenger)

If the exhaust tip is interfering with the installation of the passenger-side Mounting Bracket, loosen the exhaust clamp adjacent to the rear axle and slide the rear section of the exhaust forward slightly and reclamp everything into place until secure.

↓ exhaust too close to mounting bracket



slide the exhaust slightly forward ↑

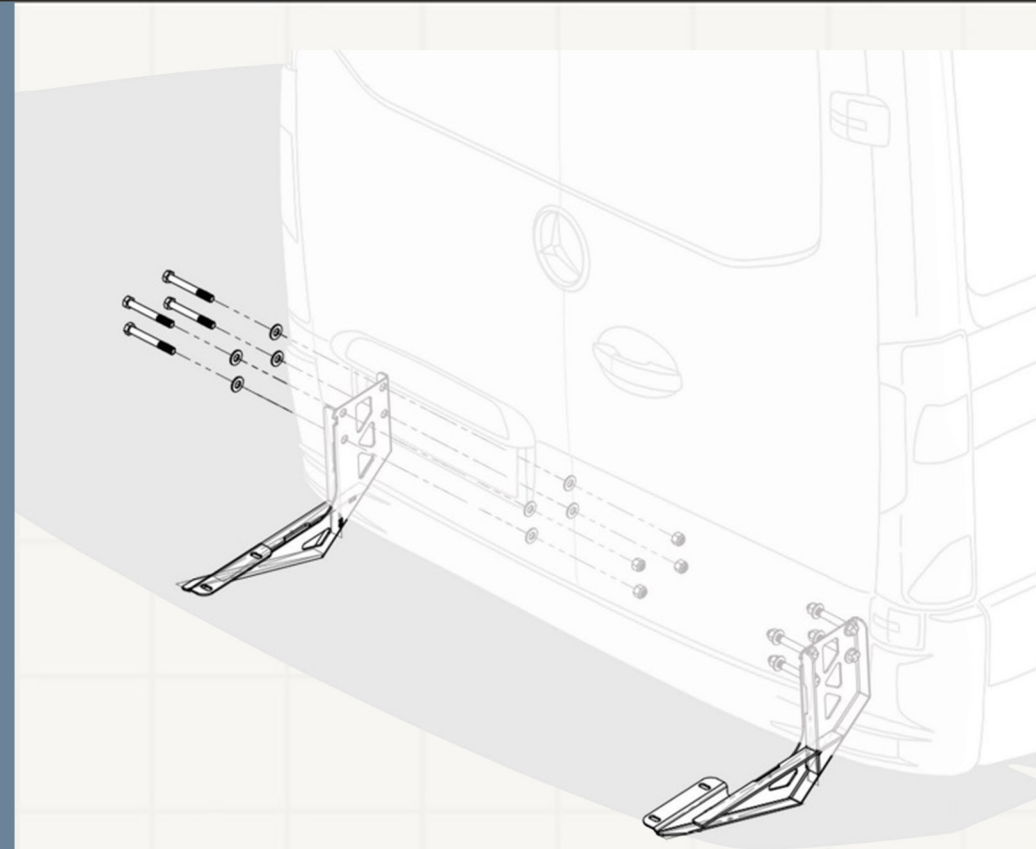


Step 02

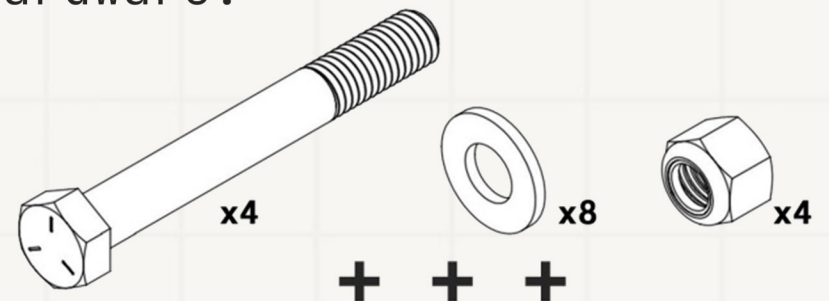


Secure the Mounting Bracket (Driver) to the vehicle's underbody

From the outside facing in, use (x4) ½" hex head bolts w/ (x8) ½" flat washers (one on each side) through (x4) ½" nylon lock nuts to secure the driver-side mounting bracket through (x4) pre-existing trailer hitch mounting points on the undercarriage of the vehicle.



Hardware:

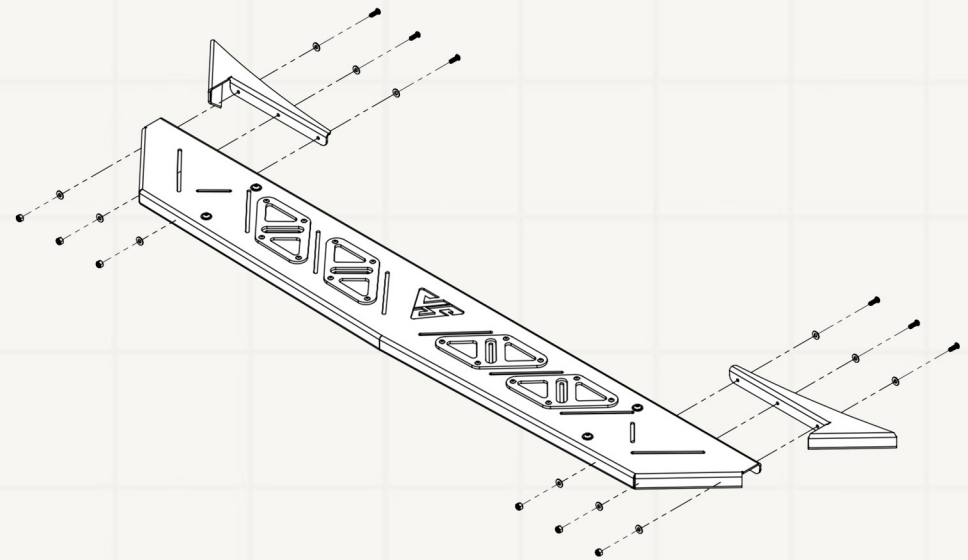


Step 03

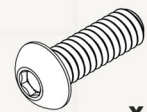


Mount both Corner Plates to the Rear Step Platform

On each corner plate, from the outside facing in, use (x3) $\frac{1}{4}$ " button head bolts w/ (x6) $\frac{1}{4}$ " flat washers (one on each side) through (x3) $\frac{1}{4}$ " nylon lock nuts to secure the Corner Plates to either side of the Step Platform.



Hardware:



x6



x12



x6

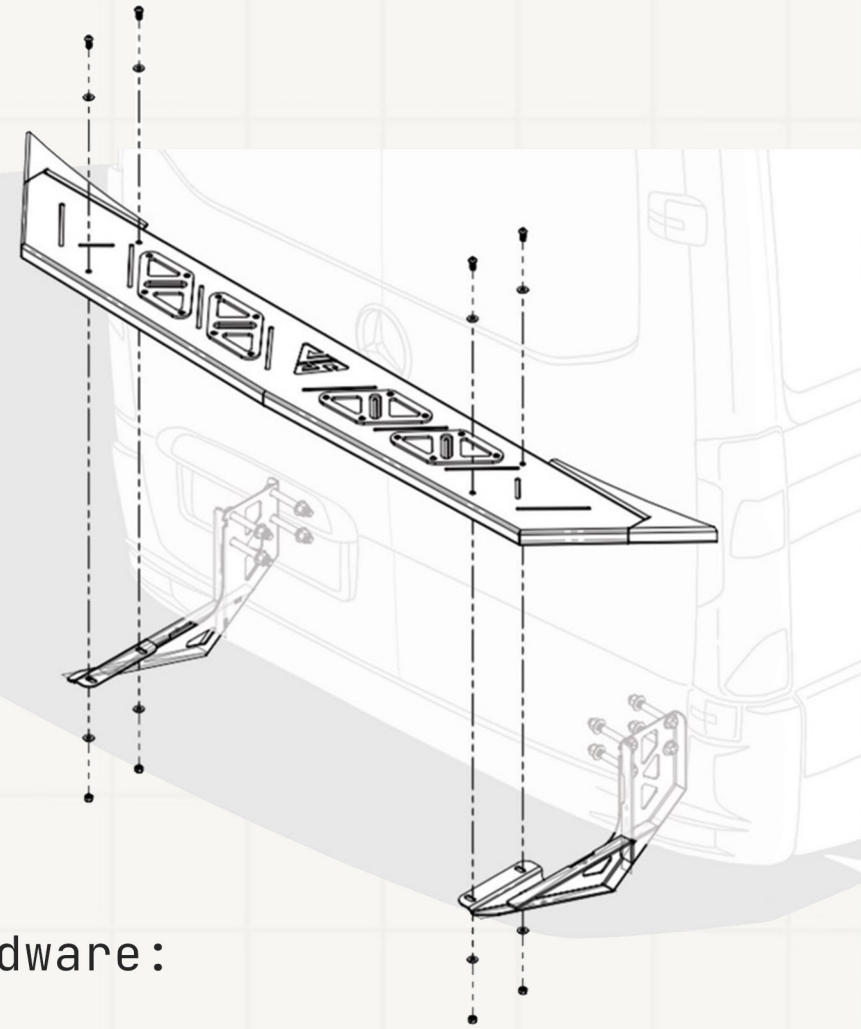


Step 04



Mount the Rear Step Platform to the top of both Mounting Brackets

From the top facing down, use (x4) 5/16" button head bolts w/ (x8) 5/16" flat washers (one on each side) through (x4) 5/16" nylon lock nuts to mount the completed Rear Step Platform to both Mounting Brackets.



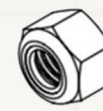
Hardware:



x4



x8



x4



You've Reached the Finish Line

