

Instruction Guide:
Sprinter
Hood Strut Kit

Checklist



- + REVIEW THE PACKING SLIP TO MAKE SURE YOU HAVE ALL THE PARTS**
- + PREPARE ALL THE TOOLS NECESSARY FOR PRODUCT INSTALLATION**
- + PRE-MEASURE DISTANCES OF ALL PRODUCT MOUNTING LOCATIONS**
- + CONFIRM CLEARANCES FOR OTHER INSTALLED BUILD COMPONENTS**
- + CREATE MARKINGS BEFORE MAKING ALTERATIONS TO THE VEHICLE**
- + FOLLOW ALL SAFETY PROCEDURES WHEN WORKING ON THE VEHICLE**

Packing Slip



Components:

Hood Struts	x 2
Upper Strut Brackets	x 2
Lower Strut Brackets	x 2

Hardware:

M8 Nylon Lock Nuts (13mm)	x 8
M8 Steel Flat Washers (13mm)	x 8

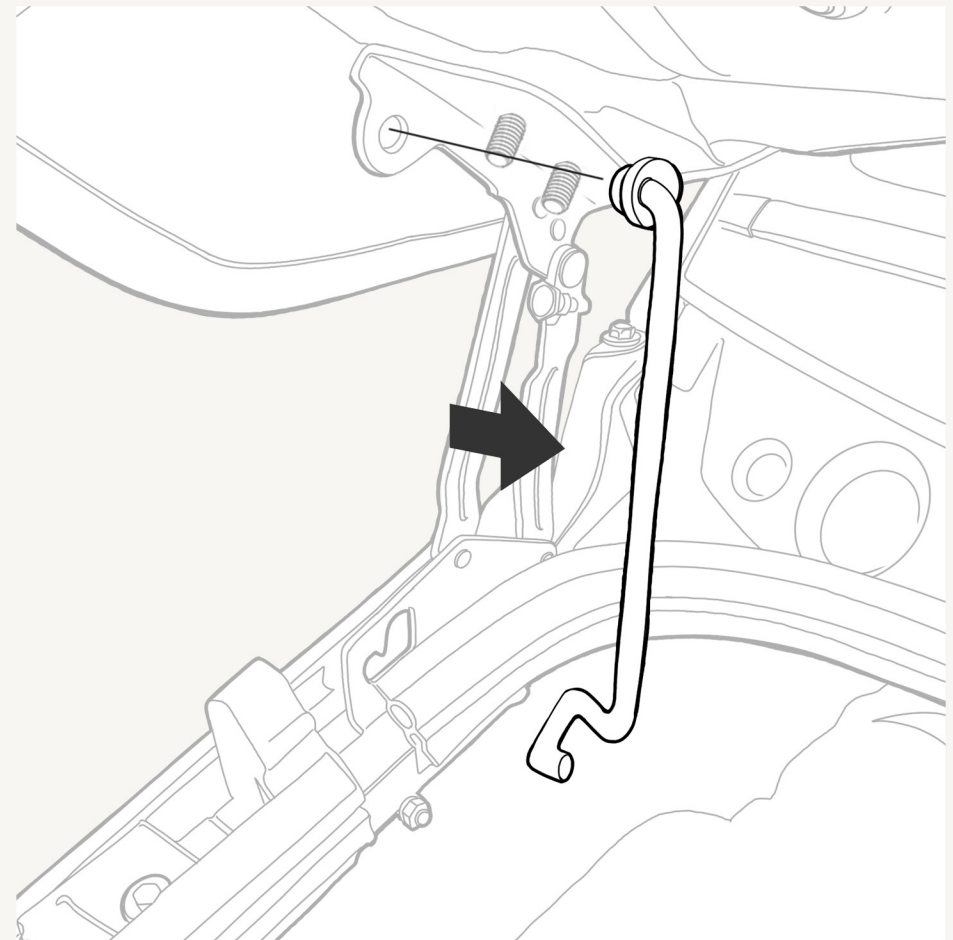
Step 01



Use pry tool to remove Factory Hood Prop from Upper Hood Hinge Bracket

Using a screwdriver (or some other form of pry tool), carefully separate the plastic grommet from its seat within the Upper Hood Hinge Bracket.

Note* Removing the hood prop might require a bit of force, but work gradually in a 360° rotational motion to avoid damaging your OEM hood prop (if you plan to store it as a backup)



Step 02

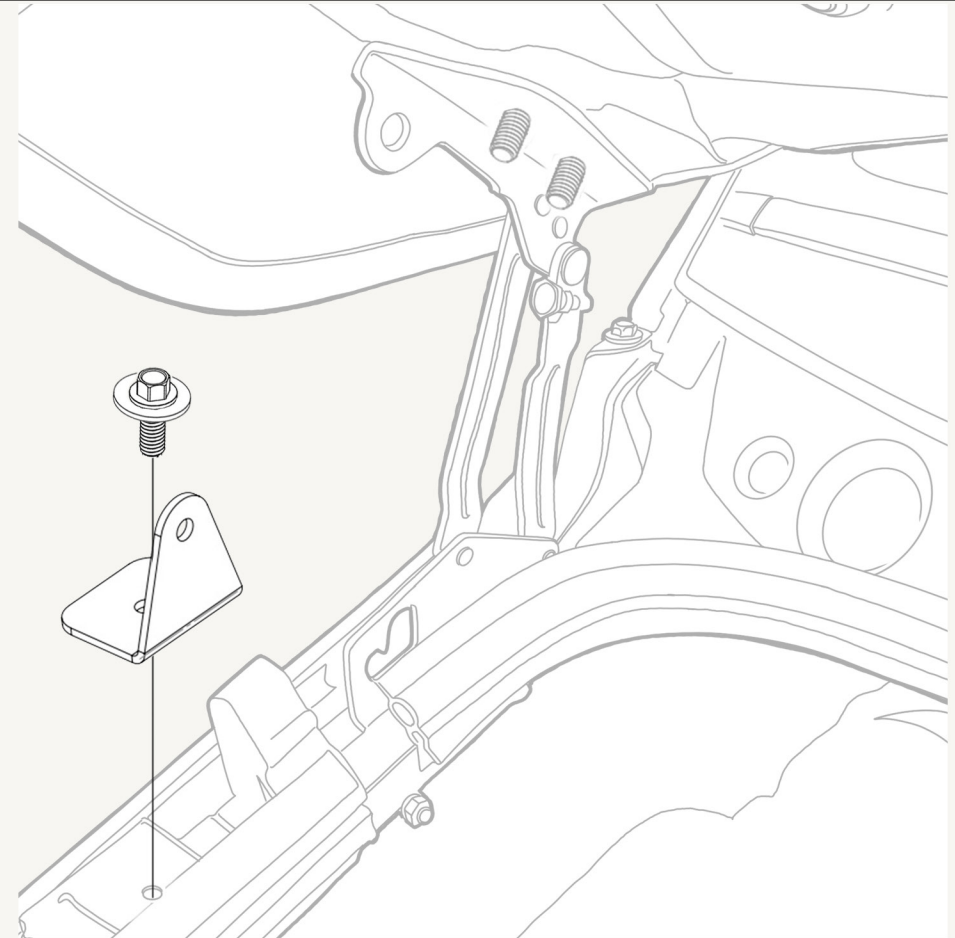


Mount Lower Strut Bracket to Fender Top-Mount Point using factory hardware

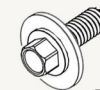
Using the factory 10mm flange bolt located on the top mounting point for the front fender, fasten the Lower Strut Bracket to the top of the vehicle's front fender.

Note* You will need to remove & reinstall the factory hardware to complete this step

Make sure that the mounting hole for the Hood Strut is turned facing the inside of the engine bay (as pictured)



Hardware:



x1 (OEM)



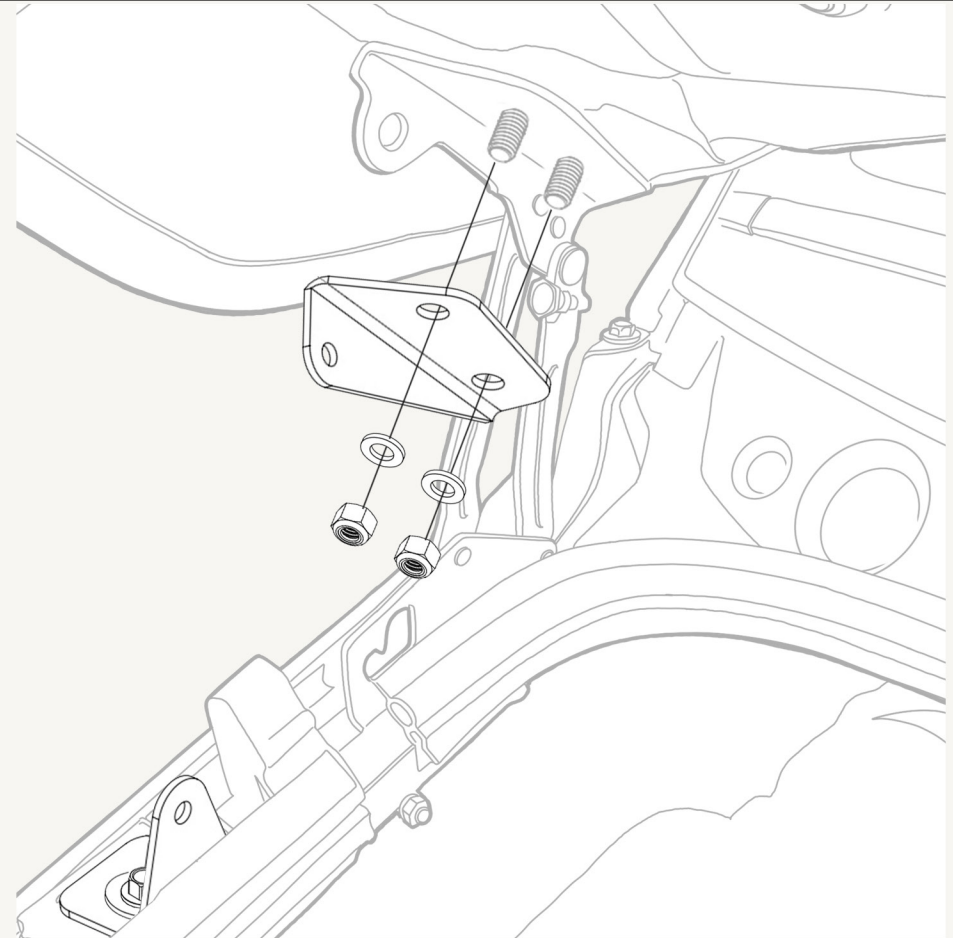
Step 03



Mount Upper Strut Bracket to Upper Hood Hinge Studs

From the bottom facing up, use (x2) 13mm nylon lock nuts with (x2) steel flat washers (one nut & washer on each stud) to secure the Upper Strut Bracket to the Upper Hood Hinge Studs.

Note* Make sure that the mounting hole for the Hood Strut is on the outside-face of the vehicle oriented towards the front of the engine bay (as pictured)



Hardware:



x2

x2



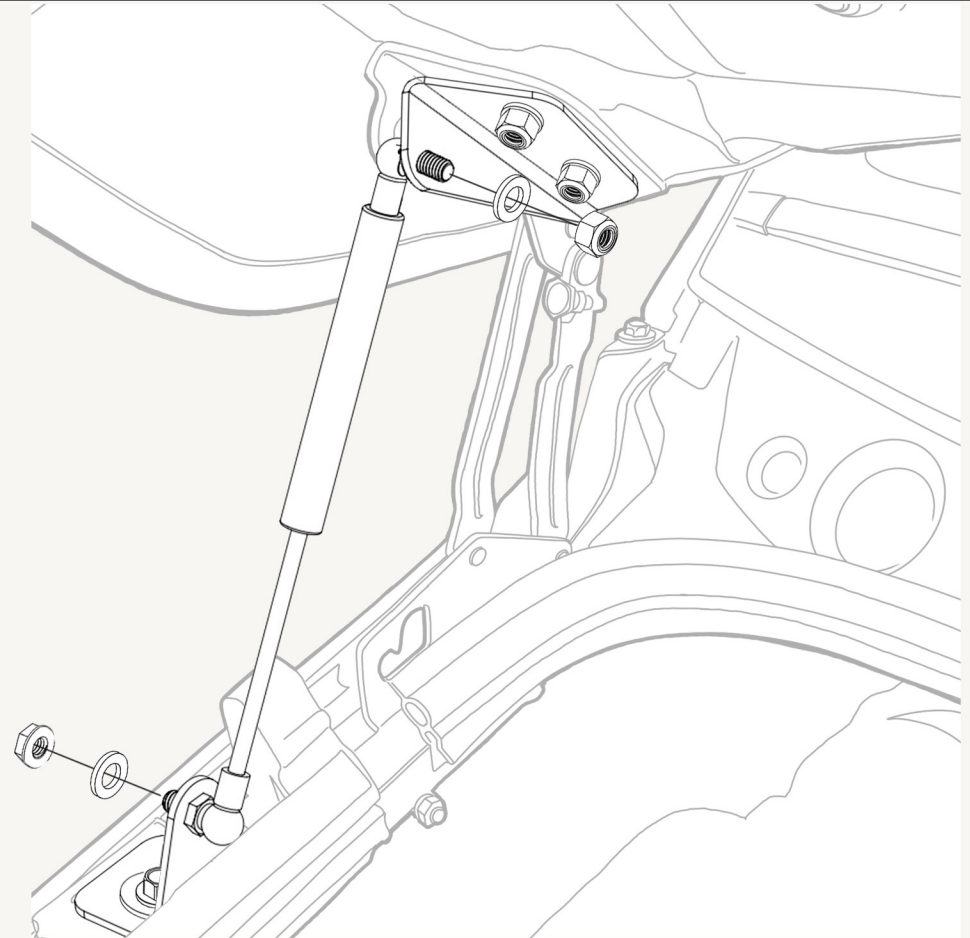
Step 04



Mount Hood Strut to both Upper & Lower Strut Brackets

Once both Hood Strut Brackets have been installed on the vehicle, thread the Hood Strut studs through both the inside face of the lower bracket and the outside face of the upper bracket.

Once threaded, use (x2) 13mm nylon lock nuts with (x2) steel flat washers (one nut & washer on each stud) to secure both ends of the Hood Strut to the mounting brackets.



Hardware:



x2

x2

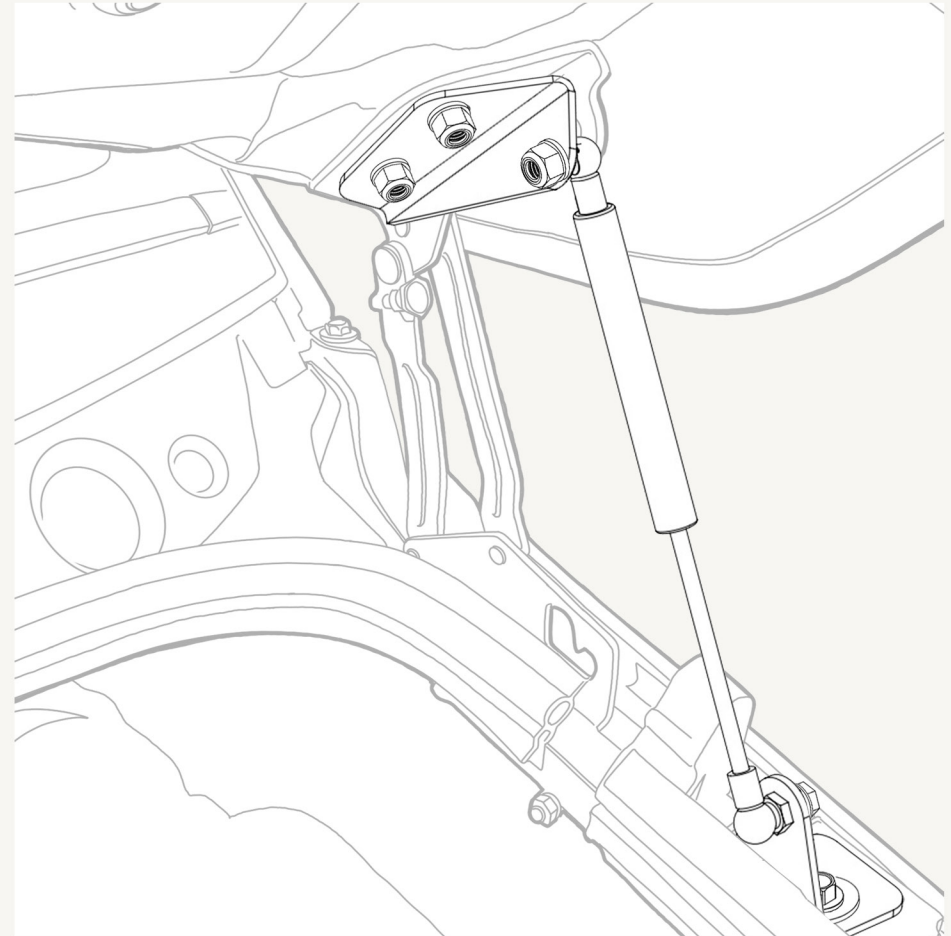


Step 05



Mirror Steps 02-04 on the vehicle's driver side

Once the passenger-side hood strut has been installed, repeat the same process on the vehicle's driver side.



You've Reached the Finish Line

