



**VAN SPEED SHOP**  
PROPELLED BY AESTHETIC

# INSTRUCTION GUIDE

- HEADLINER SHELF -





# PACKING SLIP

## COMPONENTS ~

HEADLINER SHELF PANEL	x 1
HEADLINER SHELF BRACE	x 1
HEADLINER SHELF RIB SLATS	x 4
FRONT MOUNTING BRACKETS	x 2
REAR MOUNTING BRACKETS	x 2

## HARDWARE ~

1/4" BUTTON HEAD HEX DRIVE SCREWS	x 10
1/4" FLAT WASHERS	x 10
1/4" SERRATED FLANGE NUTS	x 10



# INSTALLATION PREP

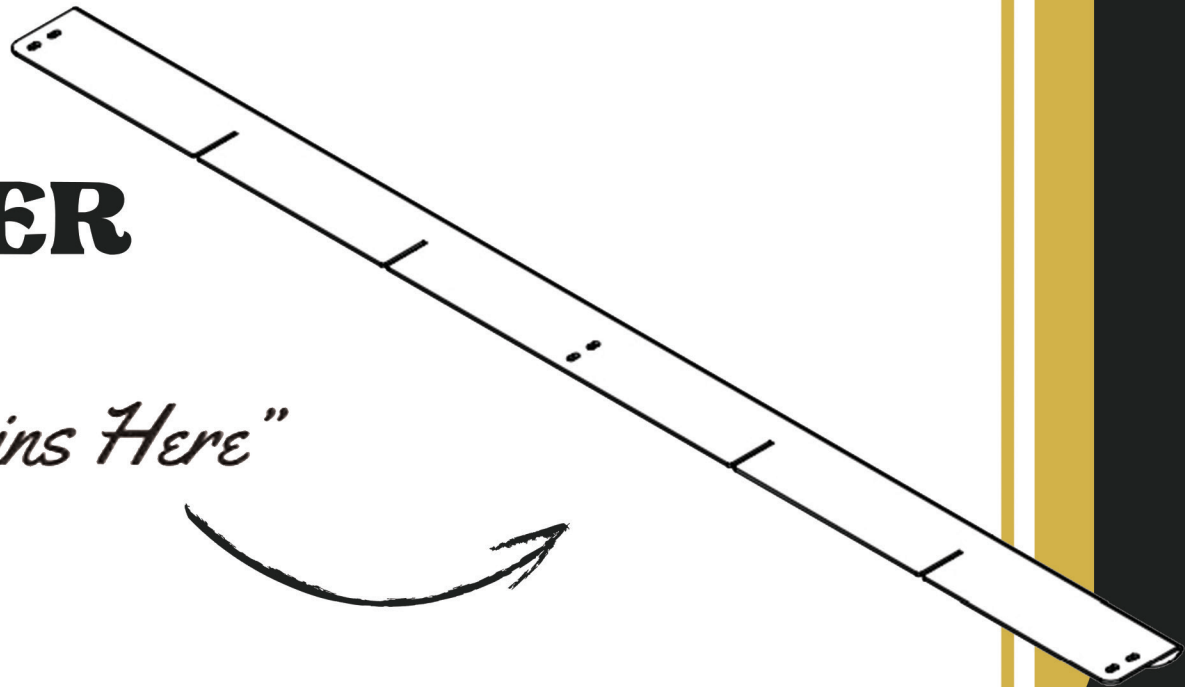
## CHECKLIST ~

- REVIEW THE PACKING SLIP TO ENSURE THAT ALL OF THE NECESSARY HARDWARE AND COMPONENTS HAVE BEEN INCLUDED WITHIN THE PRODUCT KIT
- PREPARE ALL THE TOOLS & MATERIALS NECESSARY FOR PRODUCT INSTALLATION
- ON THE VEHICLE, MEASURE OUT ALL OF THE DISTANCES AND MOUNTING LOCATIONS FOR THE ASSEMBLED COMPONENTS
- MAKE NECESSARY MARKINGS FOR BOLT HOLES BEFORE MAKING ANY IRREVERSIBLE ALTERATIONS TO THE VEHICLE



# HEADLINER SHELF

*"Your Adventure Begins Here"*



S  
T  
A  
R  
T

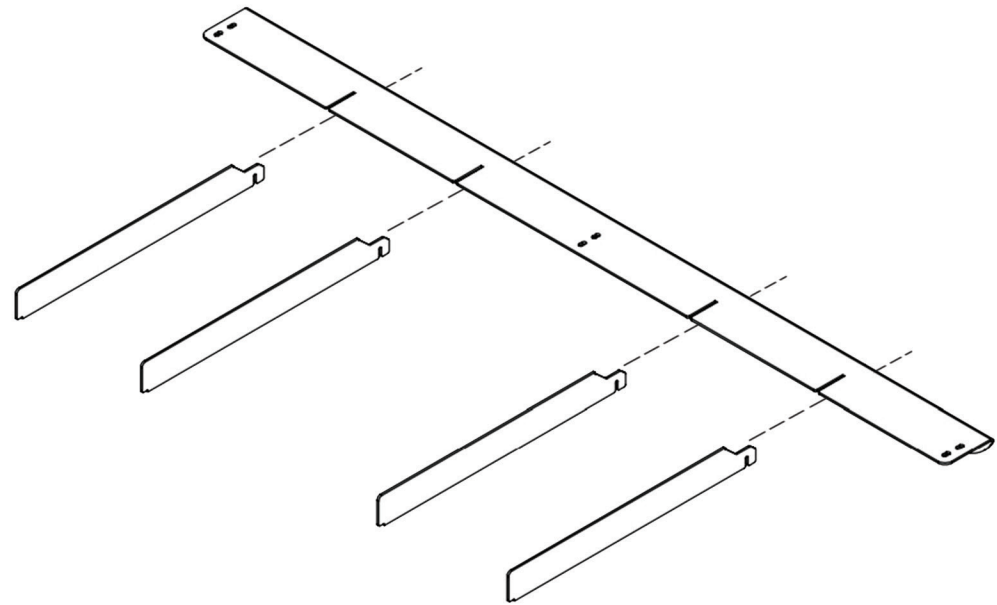
THE INSTALLATION PROCESS BEGINS WITH THE  
HEADLINER SHELF BRACE.



# STEP 01

## SLIDE THE RIB SLATS THROUGH THE HEADLINER SHELF BRACE

SLIDE THE (x4) RIB SLATS THROUGH THE TWO INNERMOST VERTICAL CUT-OUT CHANNELS ON THE SHELF BRACE. ONCE PUSHED THROUGH, FIX BOTH RIB SLATS INTO PLACE BY PUSHING DOWN AND INTERLOCKING THE SLATS INTO THEIR RESPECTIVE CHANNELS TO CREATE THE BRACE SUBASSEMBLY.

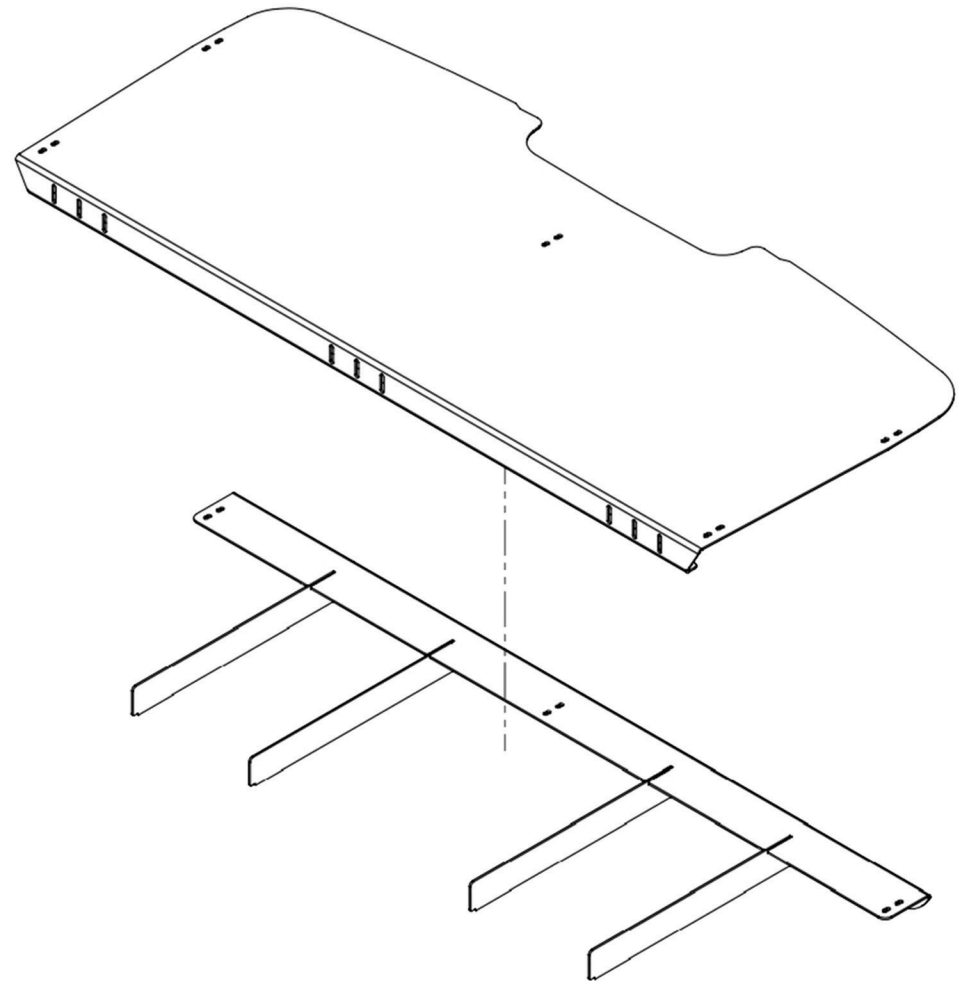


# STEP 02

## SLIDE THE SHELF PANEL OVER THE BRACE SUBASSEMBLY

USE THE TWO EXPOSED ENDS OF THE RIB SLATS TO HELP GUIDE THE SHELF PANEL INTO POSITION OVER THE BRACE SUBASSEMBLY.

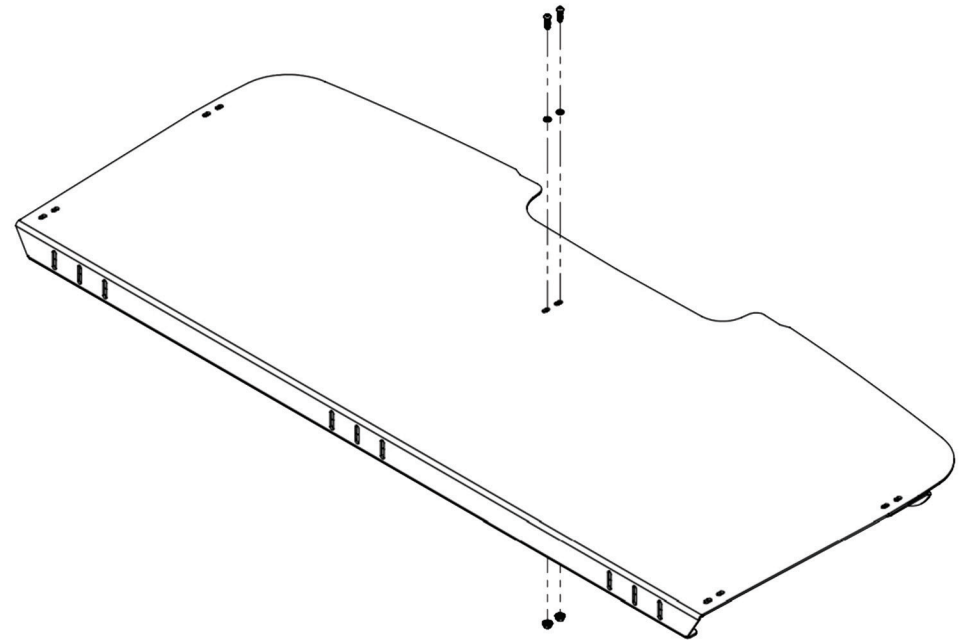
NOTE\* The bottom notches on the slats should prevent the brace from moving around unpredictably, even before the hardware is applied.



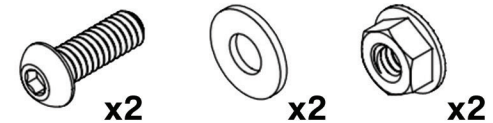
# STEP 03

## ATTACH THE SHELF PANEL TO THE BRACE SUBASSEMBLY

USE (x2) OF THE BUTTON HEAD HEX DRIVE SCREWS WITH (x2) FLAT WASHERS AND (x2) SERRATED FLANGE NUTS TO ATTACH THE SHELF PANEL TO THE BRACE SUBASSEMBLY THROUGH THE MIDDLE TWO BOLT HOLES TO COMPLETE THE HEADLINER SHELF SUBASSEMBLY.



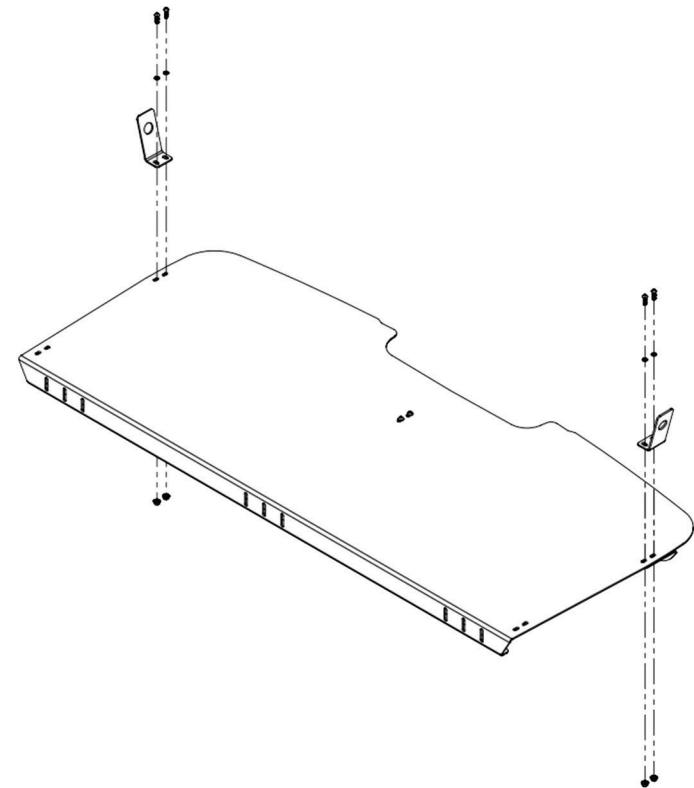
### HARDWARE



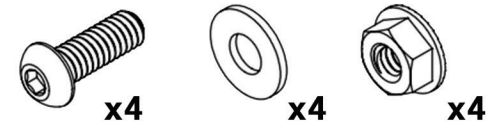
# STEP 04

## ATTACH THE FRONT MOUNTING BRACKETS TO THE SHELF SUBASSEMBLY

USE (x4) BUTTON HEAD HEX DRIVE SCREWS WITH (x4) FLAT WASHERS AND (x4) SERRATED FLANGE NUTS TO ATTACH THE FRONT TWO MOUNTING BRACKETS TO THE TOP FACE OF THE HEADLINER SHELF SUBASSEMBLY.



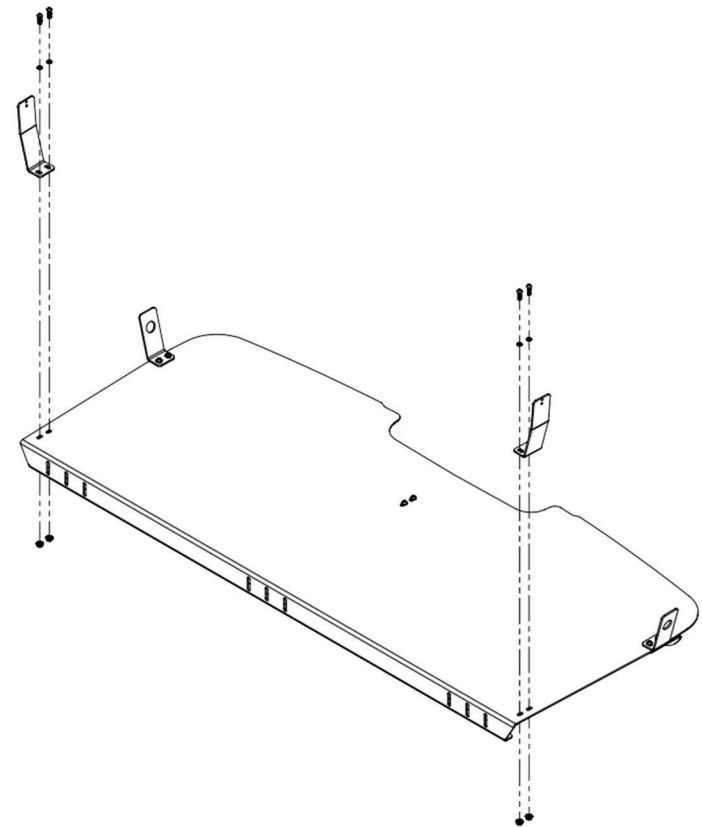
### HARDWARE



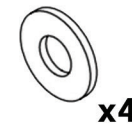
# STEP 05

## ATTACH THE REAR MOUNTING BRACKETS TO THE SHELF SUBASSEMBLY

USE (x4) BUTTON HEAD HEX DRIVE SCREWS WITH (x4) FLAT WASHERS AND (x4) SERRATED FLANGE NUTS TO ATTACH THE REAR TWO MOUNTING BRACKETS TO THE TOP FACE OF THE HEADLINER SHELF SUBASSEMBLY.



### HARDWARE





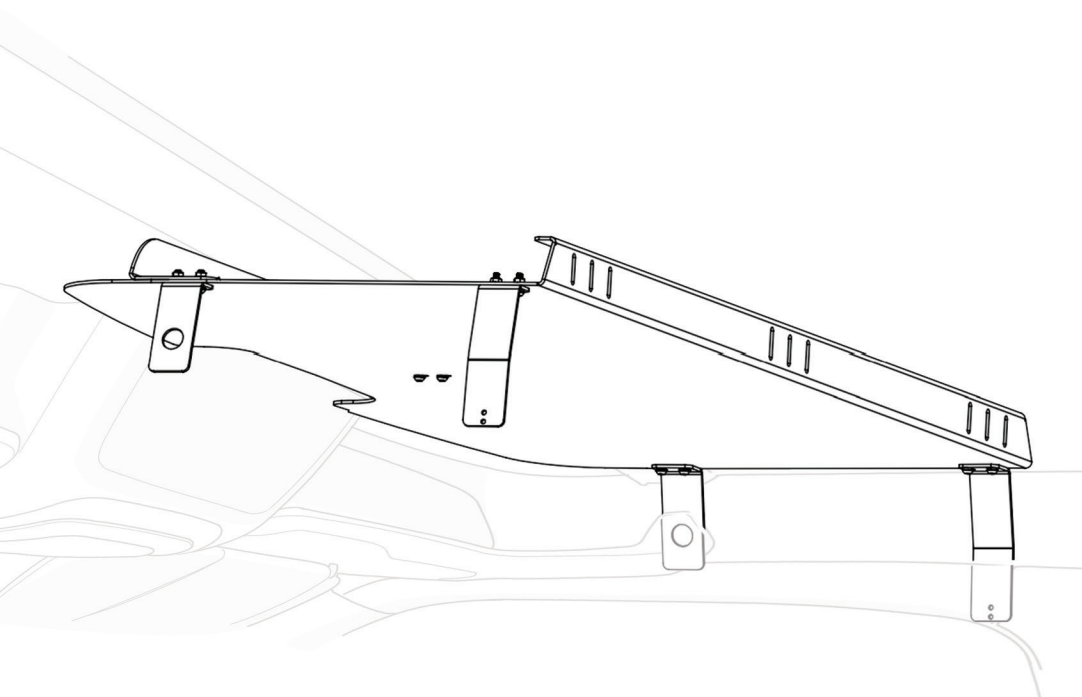


## STEP 06

### MOUNT THE FINISHED HEADLINER SHELF INTO PLACE

REUSING (x2) CAB UPPER GRIP MOUNTING BOLTS AND (x4) UPPER CABIN HOOK SCREWS, MOVE THE SHELF INTO POSITION ALONG THE TOP OF THE HEADLINER AND FASTEN HARDWARE ACCORDINGLY.

NOTE\* Shelf Mounting Brackets should be positioned behind the stock interior components when hardware is reassembled.





- HEADLINER SHELF -

**INSTALLATION  
COMPLETE**



**F  
I  
N  
I  
S  
H**

