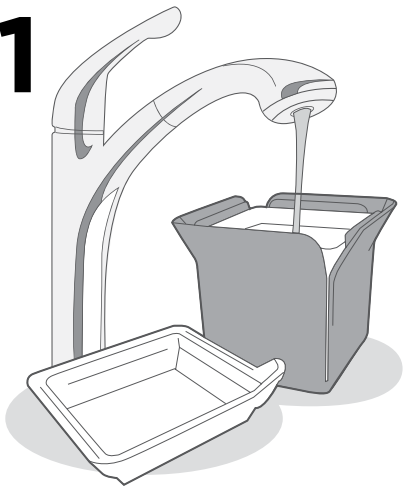
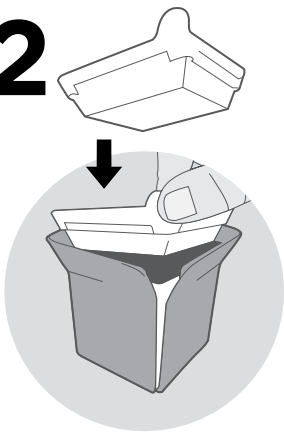


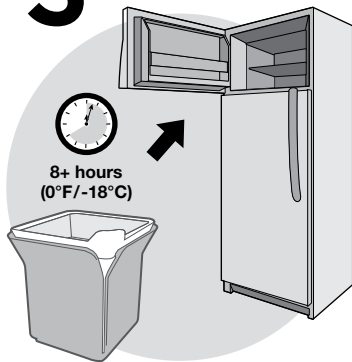
1



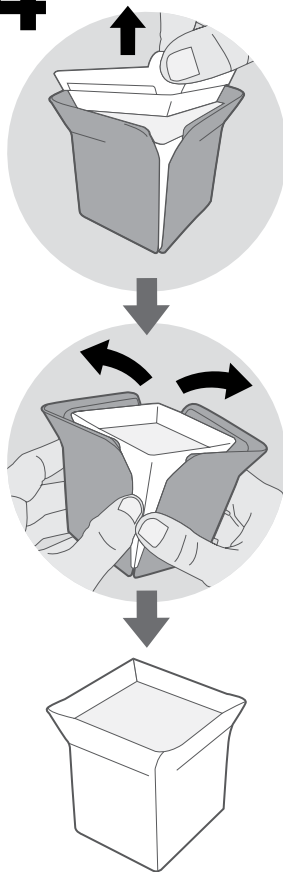
2



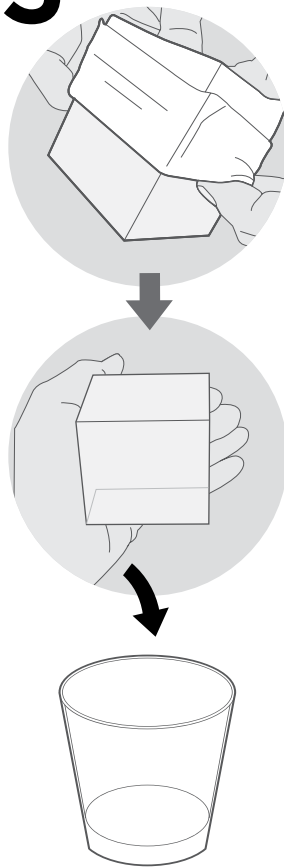
3



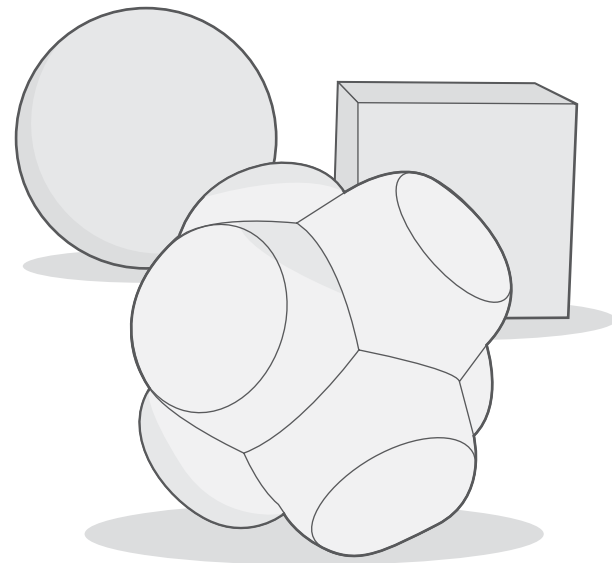
4



5



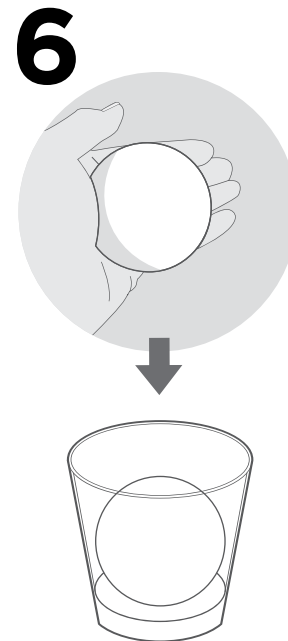
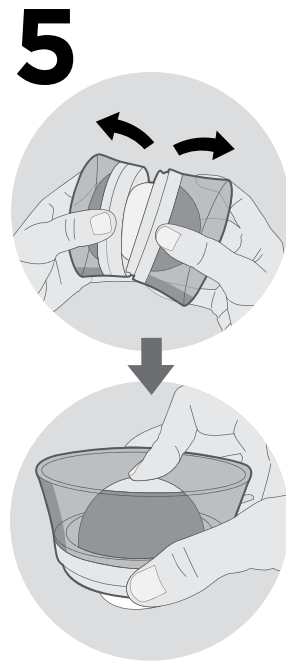
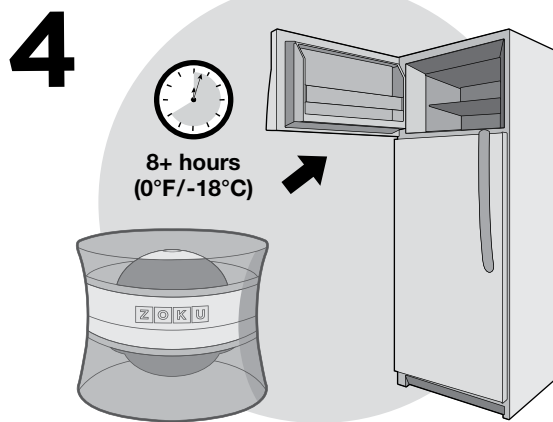
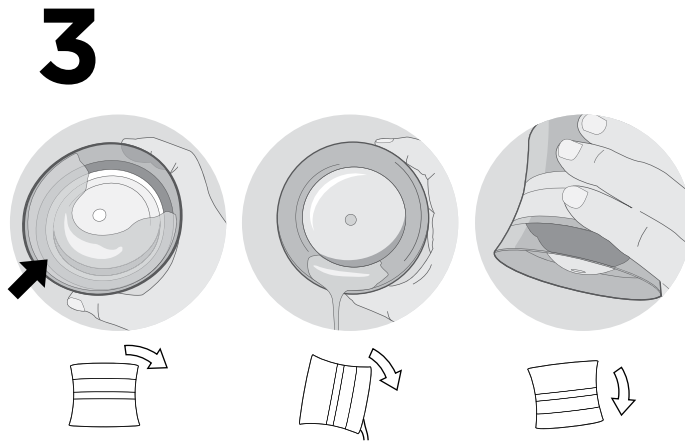
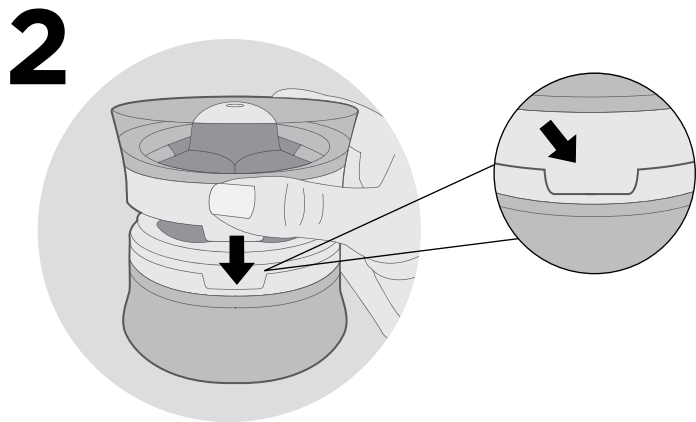
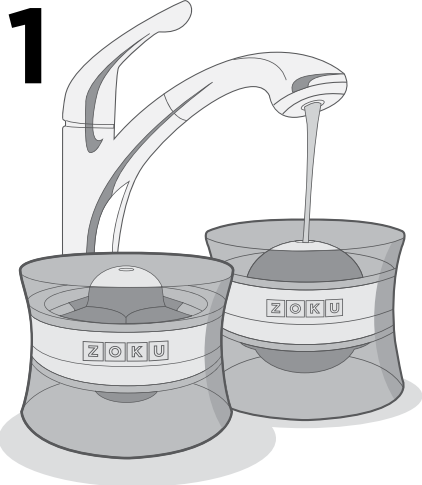
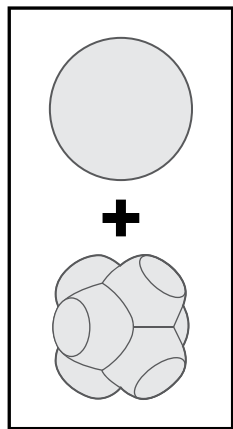
ZOKU[®]



MIXOLOGY ICE MOLDS

INSTRUCTION MANUAL

www.zokuhome.com



ZOKU[®]

©2016 by Zoku, LLC
ZOKU, LLC Hoboken, NJ 07030
www.zokuhome.com
U.S. Patent No: 9,272,444 B2
Designed in the USA, Made in China