



QUICK POP® MAKER

Tools

INSTRUCTION MANUAL

www.zokuhome.com

Important Safeguards

Please read The Quick Pop Maker Instructions & Tool Instructions before using. Save these instructions for future reference.

THIS PRODUCT IS NOT A TOY. CLOSE ADULT SUPERVISION IS NECESSARY AT ALL TIMES WHEN ANY APPLIANCE IS USED BY OR NEAR CHILDREN. WARNING: CHOKING HAZARD - CONTAINS SMALL PARTS. NOT FOR CHILDREN UNDER 3 YEARS OF AGE.

- Wash The Quick Pop Maker tools by hand.
- Dry stencils thoroughly after cleaning to prevent rust.
- Do not store the tools in the freezer.
- Do not use tools or pop sticks that are not provided by ZOKU.
- This product is intended for household use only.

Included Items



2 Fruit Stencils



3 Pour Cups



1 Fruit Wand



1 Siphon



1 Angle Tray

Before You Get Started...

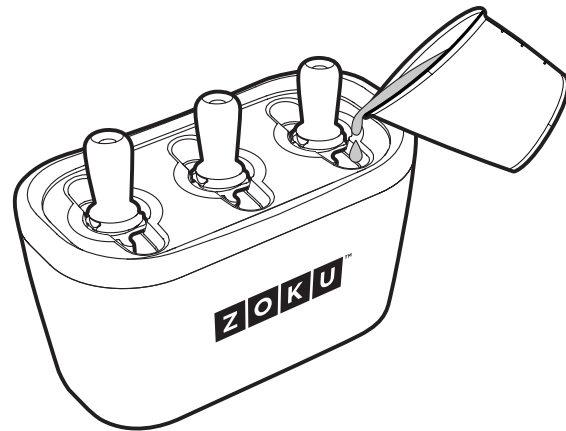
We recommend making a batch of basic Quick Pops before trying unique pops in order to become acquainted with The Quick Pop Maker.

Before attempting any of these techniques, freeze your Quick Pop Maker at 0°F for 24 hours.

NOTE: Unique Quick Pops take a bit longer to make than single flavored pops, so the number of batches may be reduced when making them.

The Pour Cup

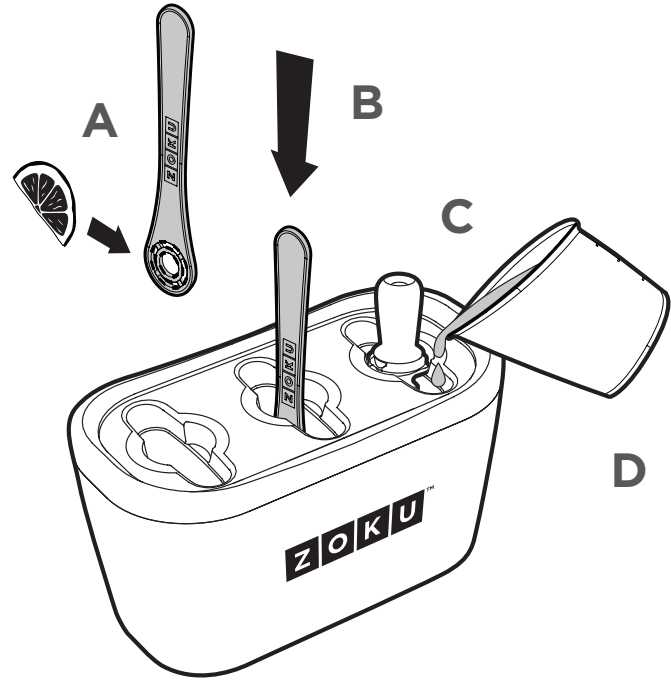
Measure your juice (2 oz. per mold) using the lines on the side of the pour cup. Lean the side of the cup on the edge of The Quick Pop Maker for a cleaner pour. Wait until it freezes, then remove pops and enjoy!



The Fruit Wand

Decorate your Quick Pops with fresh fruit slices easily using the fruit wand. Follow the instructions below that correspond with the illustration on the right.

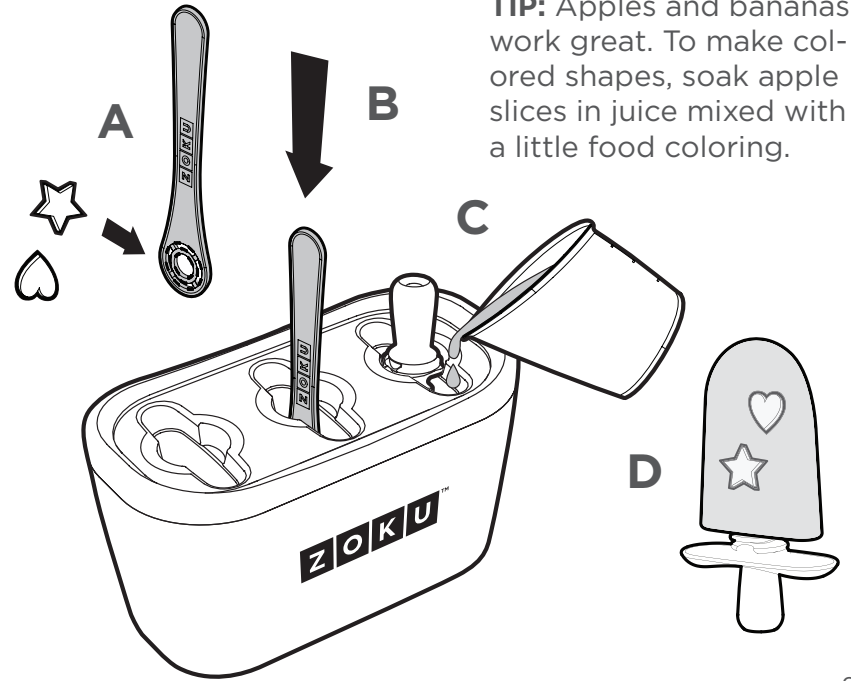
- A)** Cut fruit into thin slices. Attach a thin fruit slice to the end of the fruit wand.
- B)** Insert the prepared fruit wand into the pop mold, pressing the fruit slice against the wall of the cavity. The fruit will stick to the wall of the mold.
- C)** After you have finished decorating the pop mold, insert the pop sticks and fill the mold with juice to the fill line.
- D)** Wait until the pop freezes, then remove it and enjoy!



Fruit Stencils

Easily cut perfect hearts and stars with our stencils to make fun decorated pops! Follow the instructions below that correspond with the illustration on the right.

- A)** Slice fruit 1/8 inch thick or less. Lay flat and cut with the sharp end of the fruit stencil. Attach the fruit slice to the end of the fruit wand.
- B)** Insert the prepared fruit wand into the pop mold, pressing the fruit slice against the wall of the cavity. The fruit will stick to the wall of the mold.
- C)** After you have finished decorating the pop mold, insert the pop sticks and fill the mold with juice to the fill line.
- D)** Wait until the pop freezes, then remove it and enjoy!



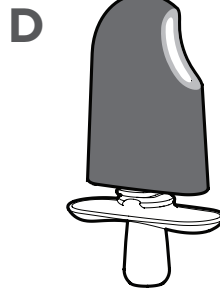
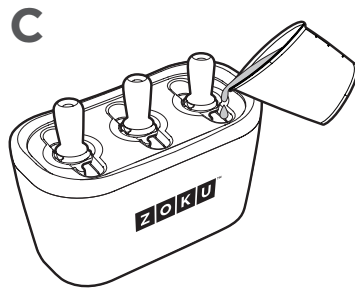
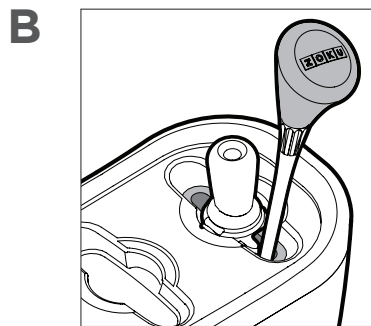
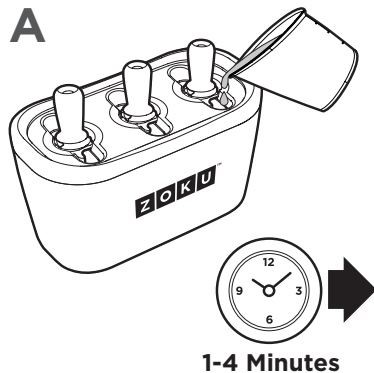
TIP: Apples and bananas work great. To make colored shapes, soak apple slices in juice mixed with a little food coloring.

The Siphon

To make flavored core pops, follow the instructions below that correspond with the illustration on the right.

- A)** Pour your shell flavor up to the fill line and wait until you see the outer shell freeze (1-4 min). The longer you wait, the thicker the shell will be.
- B)** Remove the remaining juice from The Quick Pop Maker by inserting the siphon and squeezing to extract the juice.
- C)** Pour the core flavor into the mold.
- D)** Wait until the pop freezes, then remove it and enjoy!

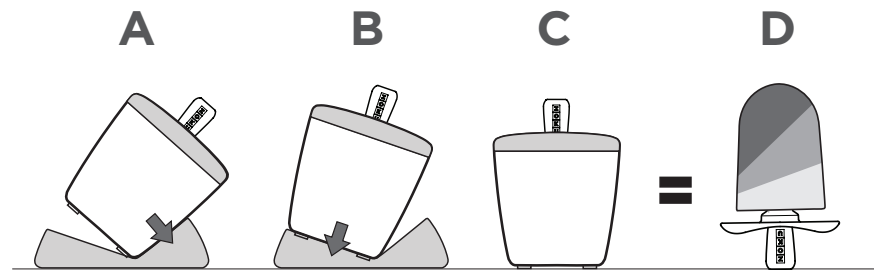
NOTE: The siphon also comes in handy when filling the Quick Pop molds at sharp angles (see pg. 13).



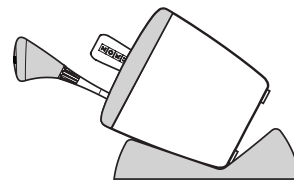
The Angle Tray

The angle tray tilts The Quick Pop Maker at various angles to create a wide array of angled Quick Pops. To make a fun angled pop, follow the instructions below that correspond with the illustration on the right.

- A)** Insert pop sticks into the molds. Set The Quick Pop Maker to lean on the short side of the angle tray, then partially fill the mold cavity with juice.
- B)** Wait until that portion is frozen, then set the bottom of The Quick Pop Maker to sit on the wider surface of the angle tray and pour a different colored juice.
- C)** Wait until the second portion is frozen, then set The Quick Pop Maker flat and pour the final juice until it reaches the fill line.
- D)** Wait until the pop freezes, then remove it and enjoy!

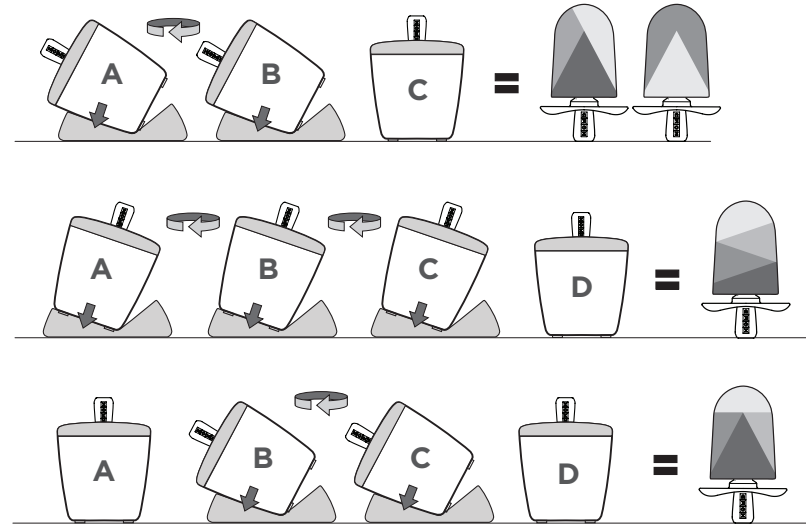
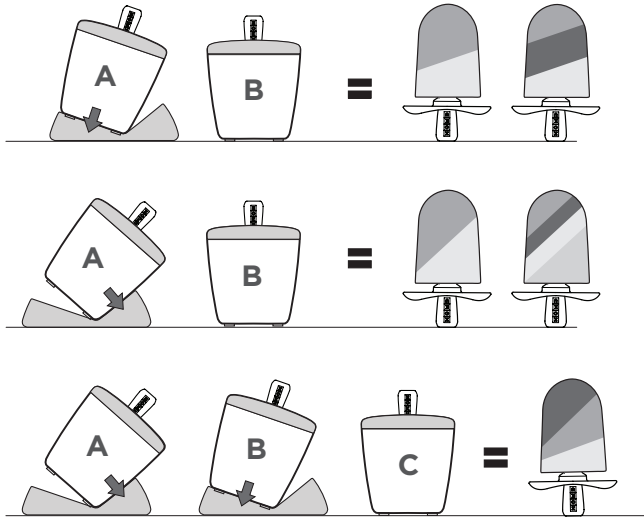


TIP: Use the siphon to add juice to the molds when The Quick Pop Maker is tilted at a sharp angle.




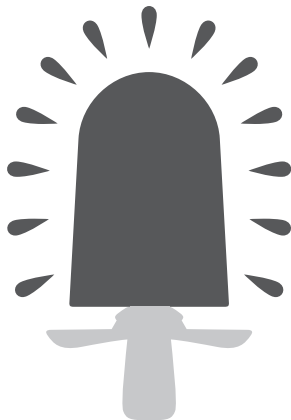
See more angle tray charts on pages 14 & 15!

Here are more fun angled pops that you can make using the angle tray. (See full instructions on pg. 12)



Follow us for more great Quick Pop ideas & recipes!

- zokuhome.com
- blog.zokuhome.com
- @ZokuHQ 
- [facebook.com](https://www.facebook.com/zokuhome) 



U.S. PATENT NOS. D637,035 S, D642,021 S.

ADDITIONAL U.S. & FOREIGN PATENTS,
TRADEMARKS, COPYRIGHTS, &
REGISTRATIONS ISSUED & PENDING

ZOKU, LLC Hoboken, NJ

www.zokuhome.com

© 2012 by ZOKU, LLC. All Rights Reserved.