
CORRUGATED CARDBOARD, TAPE AND PLASTIC POUCH

W: 23.62" × H: 25.78" × D: 30.11" (60.0 CM × 65.5 CM × 76.5 CM)

WEIGHT: 8.7 LBS (3.95 KG)

CARE AND SAFETY:

Dust/Clean with dry cloth or duster. Do not use harsh chemicals, liquids, abrasives, or other solvents to clean the surface, as stains and damage to the artwork and product may result.

To avoid stains and other damages, liquids should be wiped away immediately.

While the structure was tested to support up to 240 lbs (100 kg) of weight, the cardboard chair artwork is not intended to be used as seating, furniture, or home goods use.

Do not hang from, lean, or stand on structure. May cause severe injury or damage.

For "CARDBOARD CHAIR" Warranty and Return Policies, Care & Maintenance and Installation Manual, please see below:

WARRANTY*:

<https://gallery.canary---yellow.com/pages/terms#warranties>

RETURN*:

<https://gallery.canary---yellow.com/pages/terms#cancellationsrefundsreturns>

For inquiries regarding the Certificate of Authenticity contact Customer Service:

Canary Yellow, LLC
+1 310 923 7317
support@canary---yellow.com

*URL's subject to change due to periodic website changes or updates.

[A-A] ©2020

INSTRUCTIONS MANUAL

CANARY YELLOW, LLC

support@canary---yellow.com

ALASKA ALASKA

alaska---alaska.com

contact@alaska---alaska.com

AA_Cardboard-Chair

Origin

LDN, UK

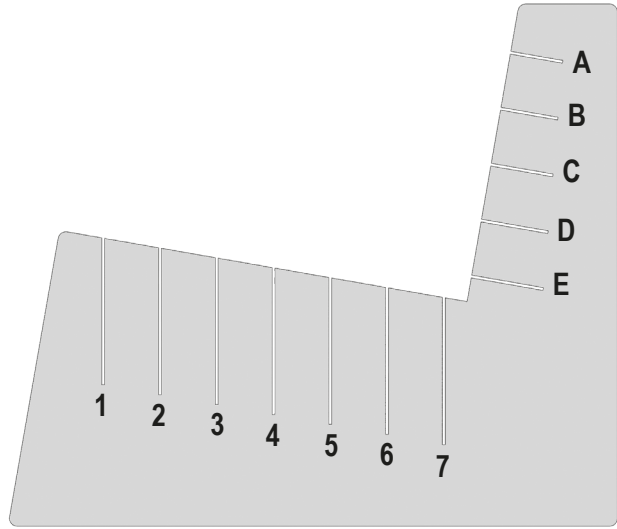
Cardboard Chair.
Series: N/A

Production Week: 40;

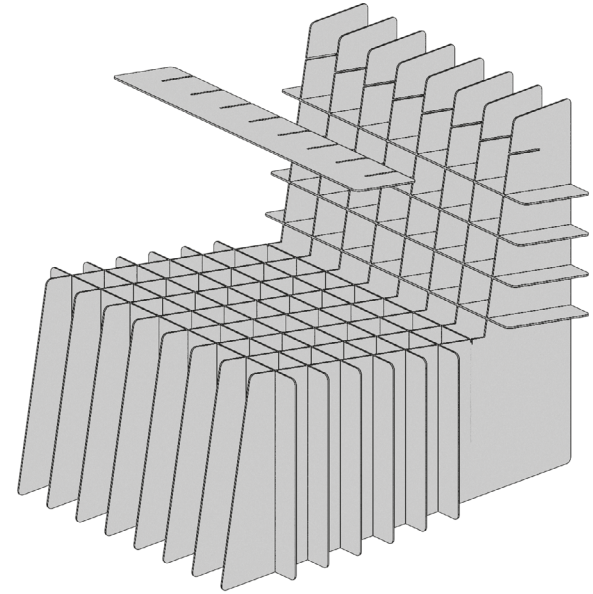
Month: N/A

28/09/20 09:57

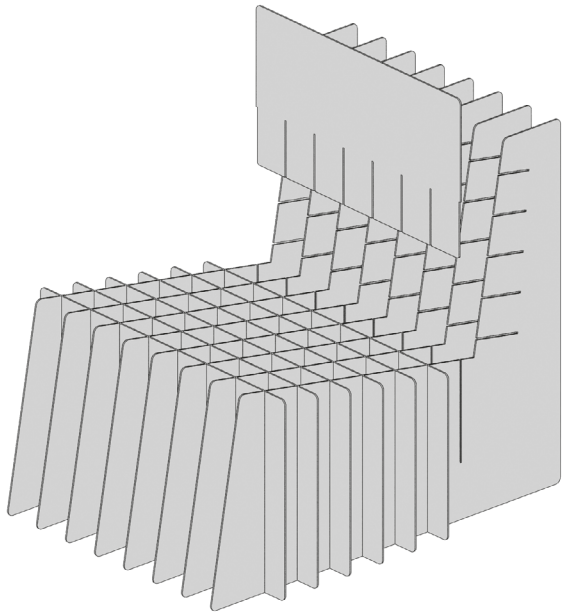
1



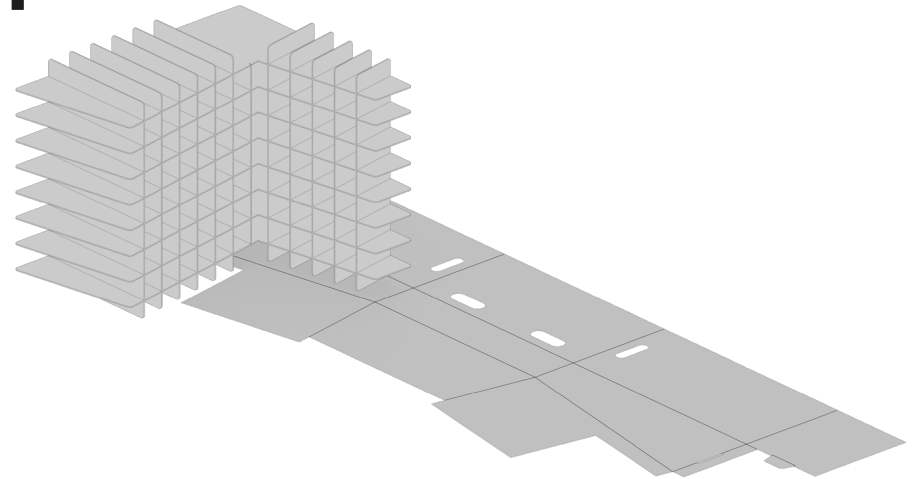
3



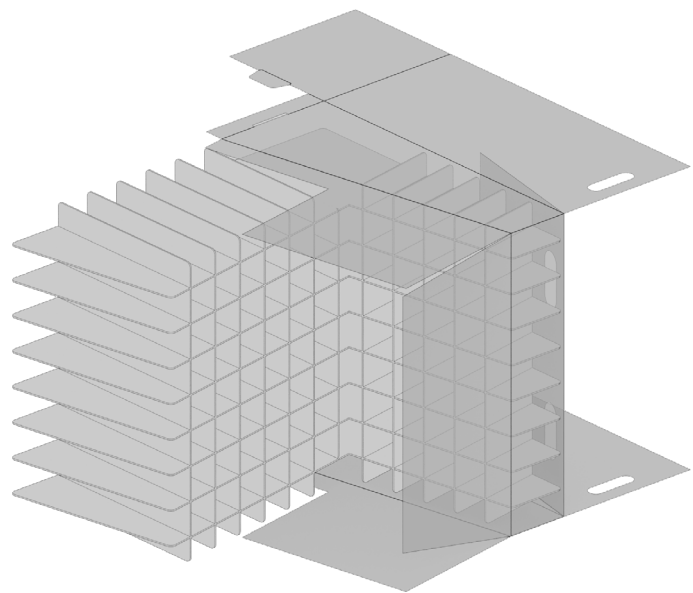
2



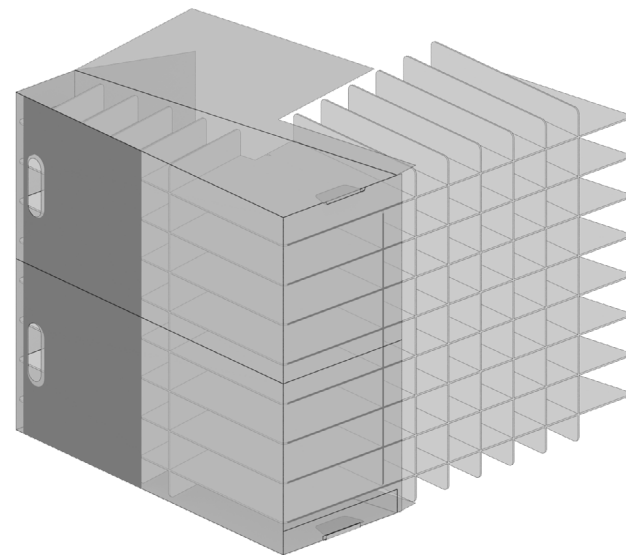
4



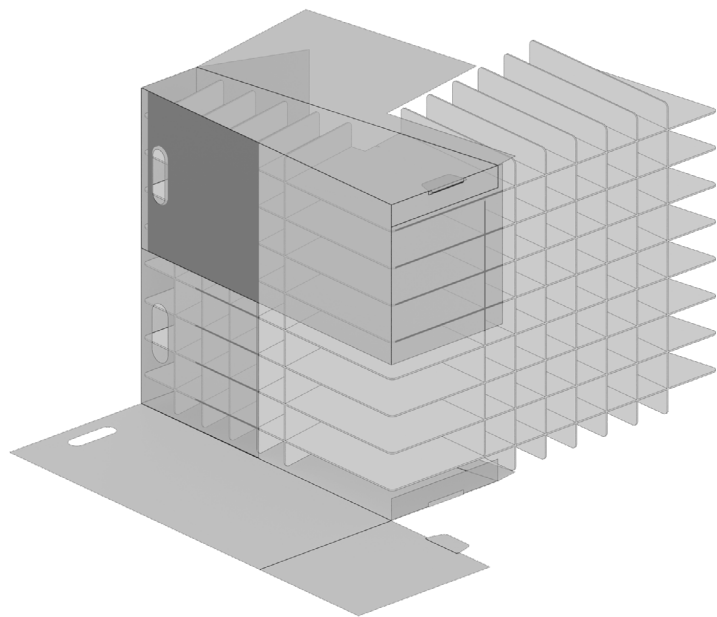
5



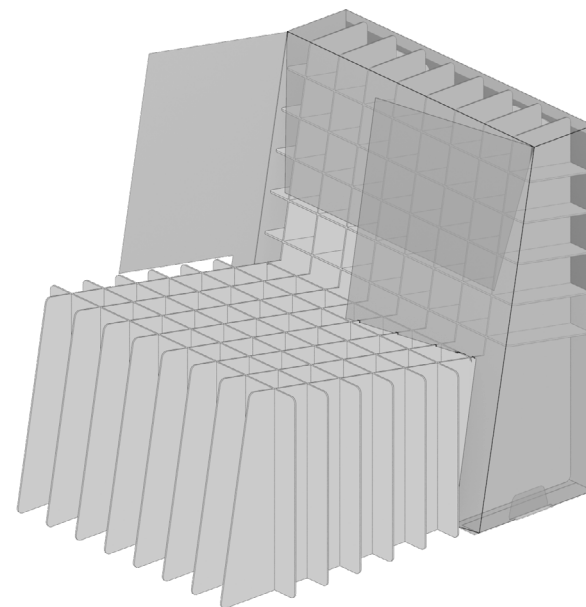
7



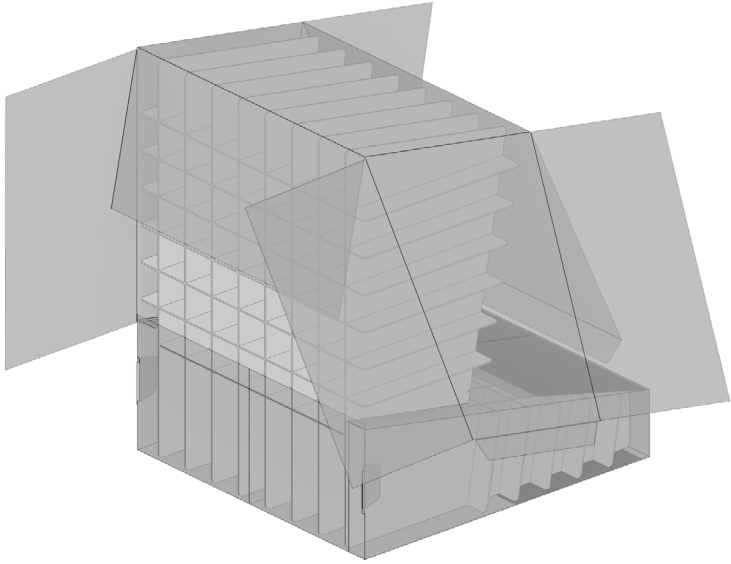
6



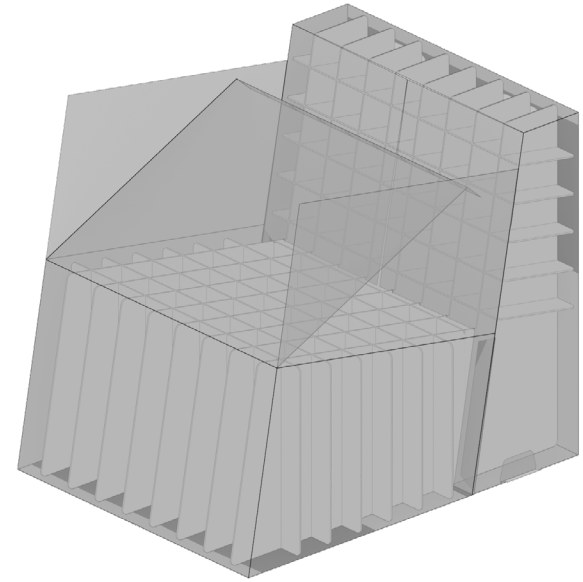
8



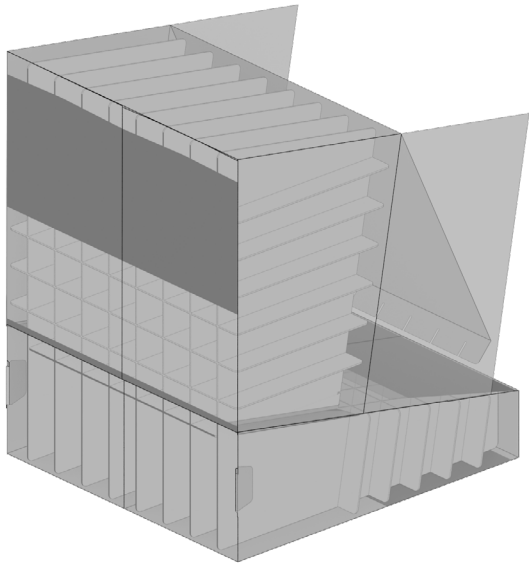
9



11



10



12

