

K-technik

Smart Lithium Power Station 12.8V 200Ah LiFePO4

1. Scope

This specification is for the K-technik Smart Lithium Power Station 12.8V 200Ah LiFePO4, in which the description and model, main performance and precautions of the product are included.

This product is well suited for the use in 4WD, caravans, camper vans and boats.

2. Description and Model

2.1 Description: K-technik Smart Lithium Power Station 12.8V 200Ah LiFePO4

2.2 Model: KT-20012B

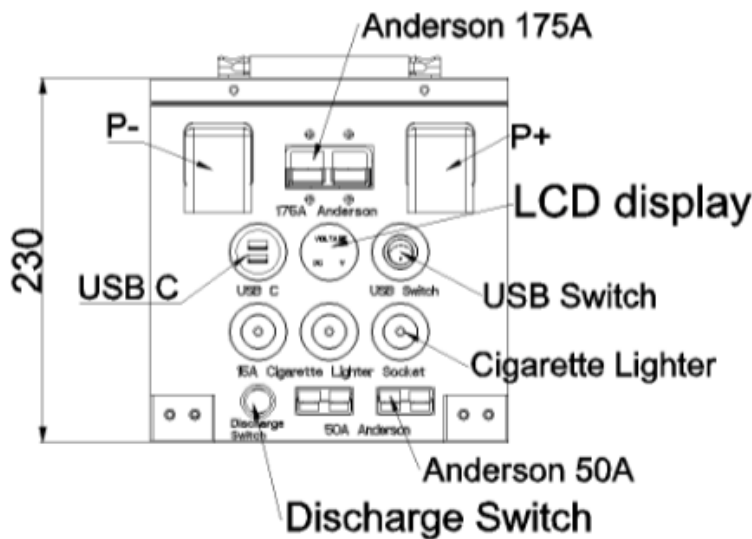
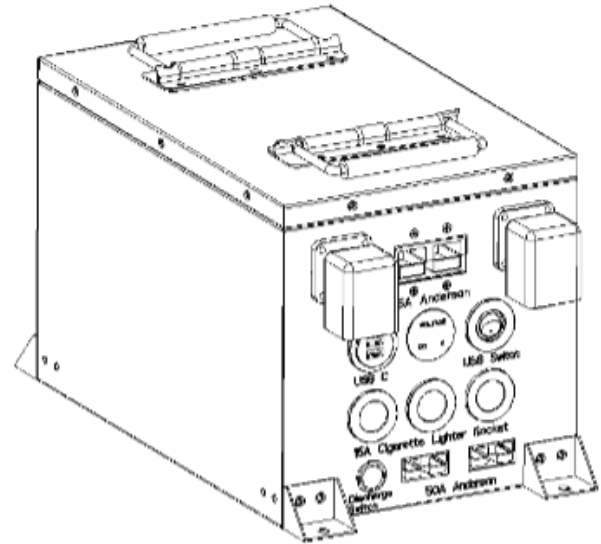
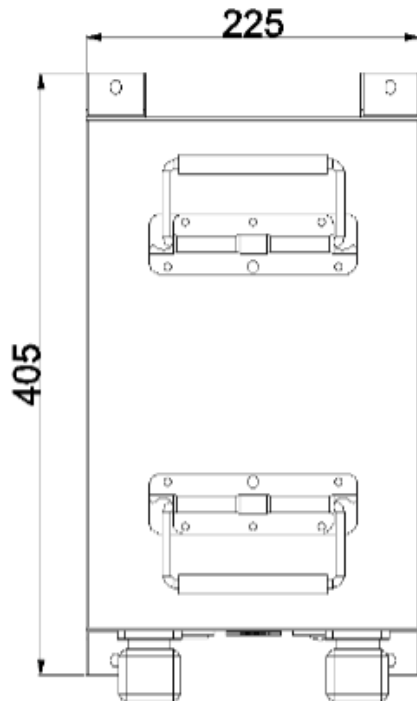
3. Appearance



4. General Technical Parameter

| # | Item | | Remark |
|----|-----------------------------------|--|---|
| 1 | Nominal Capacity | | 204.0 Ah @ 0.2C discharge |
| 2 | Minimum Capacity | | 196.0 Ah @ 0.2C discharge |
| 3 | Nominal Voltage | | 12.8V |
| 4 | AC Impedance Resistance | | ≤30mΩ |
| 5 | Charge | Max Charge Current | 250A |
| | | Cutt-off Voltage | 14.6V |
| | | Charging temperature | 0°C~60°C |
| 6 | Discharge | Max Continuous Current | 250A |
| | | Max Instantaneous Current | 500A |
| | | Cutt-off Voltage | 10V |
| | | Discharging temperature | -20°C~60°C |
| 7 | Recommend SOC Window | | SOC: 10%~95% |
| 8 | Expected Cycle Life | | 2000@ 100% DoD 3500@ 80% DoD 6500@ 50% DoD |
| 9 | Storage | Temperature | 10~45°C (50% SOC recommended) |
| | | Humidity | ≤75%RH |
| 10 | Self discharge | | ≤3%/Month |
| 11 | Weight | | 25kg |
| 12 | Battery dimensions | Length | 345±2mm (405±2mm including brackets) |
| | | Width | 225±2mm |
| | | Height | 230±2mm |
| | | Parameter | |
| 13 | 50A Anderson maximum current | 50A | Per connector. Can be used for charging and discharging |
| 14 | 175A Anderson maximum current | 175A | Can be used for charging and discharging |
| 15 | Terminals maximum current | 250A | Can be used for charging and discharging |
| 16 | Cigarette lighter maximum current | 15A | Per connector. For discharging only, not charging |
| 17 | Merit connector maximum current | 15A | For discharging only, not charging |
| 18 | USB A maximum power | 18W (12V @1.5A) | |
| 19 | USB C maximum power | 45W (20V@ .25A) | Can charge laptops, tablets, etc |
| 20 | USB Switch | Turn on/off USB & Display | |
| 21 | Discharge Switch | Turn on/off all the discharge ports | |
| 22 | Bluetooth function | Android and iPhone apps available. Please download | |

5. Battery Drawings



6. Transportation

This battery is UN38.3 certified.

For shipping, the battery for shipping should be packed in a padded box with an SOC of around 50%

Excessive vibration, impact, sun and rain should be avoided during shipping.

The battery is suitable for cars, trains, ships, aircraft and other transportation vehicles.

Transport requirements need to be followed.

7. Storage and other matters

7.1 Long-term storage

Batteries should be stored (more than 1 month) indoor with a dry and clean environment at 10 °C~45 °C. Avoiding contact with corrosive substances and keep away from fire and heat source.

The battery should be charged and discharged every 6 months.

8. Handling of Batteries

8.1 Charging

8.1.1 Charging current

Charging current shall not exceed the maximum charging current in this specification. Otherwise, it may cause problems in charge and discharge performance, mechanical performance and safety performance, and may cause heat or leakage.

8.1.2 Charging voltage

Charging voltage shall not exceed the maximum charging current in this specification. Charging temperature

Batteries must be charged within the ambient temperature range of 0°C~55°C.

8.1.3 Forbidding reverse charge

Battery should be connected correctly. It is strictly prohibited to reverse charge. Otherwise, it will likely cause the battery to fail.

8.2 Discharge

8.2.1 Discharging current

Discharge current shall not exceed the maximum charging current in this specification; Otherwise, it may cause dramatic capacity loss and overheating.

8.2.2 Discharge temperature

Batteries must be discharge within the ambient temperature range of -20°C~55°C.

8.3 Battery Handling Precautions

8.3.1 Before using the battery, please read the specification and pay attention to the information on the battery sticker.

8.3.2 Please use the battery in a normal indoor environment, temperature: -20°C~55°C, relative humidity: 15 ~ 90%, atmospheric pressure: 86 ~ 106 kPa.

8.3.3 Keep away from heat, fire, children. Do not beat, drop or impact the battery.

8.3.4 The battery can only use an appropriate charger to charge.

8.3.5 Do not short circuit the battery at any time, otherwise it can cause serious damage to the battery and cause dangerous situations.

8.3.6 If the battery not used for an extended period of time, please store the battery as outlined in this document.

8.3.7 Please recycle battery at end of life.

9. Bluetooth APP

App supports Apple and Android devices. As the BMS is in a metal box, Bluetooth range may be limited.

Please download the Daly "Smart BMS" APP for iPhone or Android from the link you find via the below QR code. Should you not be able to connect, please ensure Bluetooth is enabled and restart your device.



10. Precautions

Failure to observe the following precautions may result in battery leakage, overheating, explosion and/or fire.

Warning!

1. Do not immerse the battery in water or allow it to get wet.
2. Do not strike, throw or subject the battery near a fire or in hot conditions.
3. Charge with specified charge according to charging requirement
4. Do not reverse the positive (+) and negative (-) terminals.
5. Do not put the battery into a fire or apply direct heat to it.
6. Do not short-circuit the battery by connecting wires or other metal objects to the positive (+) and negative (-) terminals.

Caution!

- a. Do not use or store the battery where is exposed to extremely hot temperatures, such as in a dark car parked in direct sunlight on a hot day. Otherwise, the battery may overheat. This can also reduce battery performance and/or shorten service life.
- b. Do not use battery in the strong electrostatic and magnetic field
- c. If the battery leaks and electrolyte gets into your eyes, rinse the eyes with clean running water and seek medical attention immediately.
- d. Do not use the battery if it gives off an odour, generates heat, changes color or have any problems during usage, storage and discharging.