



Volkswagen Transporter T5-T6.1			
Suspension lift kit			
Nummer:	1012 0000	Stand:	06.2021
Revision:	16	Sprache:	EN

Installation guide 1012 0000

This installation guide applies to all this part n°/descriptions:

1014 0000	Suspension lift kit „Desert HD“ Monroe for T5 from model year 2010 & T6 4MOTION	2
1014 0001	Suspension lift kit „Desert“ Monroe for T5 from model year 2010 & T6 4MOTION	3
1014 0002	Suspension lift kit „Desert“ Monroe for T5 from model year 2010 & T6 front-wheel drive	4
1014 0003	Suspension lift kit „Desert HD“ Monroe for T5 from model year 2010 & T6 front-wheel drive5	
1014 0004	Suspension lift kit „Maxi HD“ Monroe for T5 from model year 2010 & T6 4MOTION	6
1014 0005	Suspension lift kit „Maxi Komfort“ Monroe for T5 from model year 2010 & T6 4MOTION	7
1014 0007	Suspension lift kit „Maxi HD“ Monroe for T5 from model year 2010 & T6 front-wheel drive .	8
1014 0008	Suspension lift kit „Maxi Komfort“ Monroe for T5 from model year 2010 & T6 front-wheel drive.....	9
1014 0010	Suspension lift kit „Desert“ Koni for T5 from model year 2010 & T6 4MOTION	10
1014 0011	Suspension lift kit „Desert HD“ Koni for T5 from model year 2010 & T6 4MOTION	11
1014 0012	Suspension lift kit „Desert“ Koni for T5 from model year 2010 & T6 front-wheel drive	12
1014 0013	Suspension lift kit „Desert HD“ Koni for T5 from model year 2010 & T6 front-wheel drive ..	13
1014 0015	Suspension lift kit „Desert“ Bilstein for T5 from model year 2010 & T6 4MOTION	14
1014 0016	Suspension lift kit „Desert HD“ Bilstein for T5 from model year 2010 & T6 4MOTION	15
1014 0017	Suspension lift kit „Desert“ Bilstein for T5 from model year 2010 & T6 front-wheel drive....	16
1014 0018	Suspension lift kit „Desert HD“ Bilstein for T5 from model year 2010 & T6 front-wheel drive	17
1012 0000	Suspension lift kit „Desert HD“ Monroe for T5 untill model year 2009 4MOTION	18
1012 0001	Suspension lift kit „Desert“ Monroe for T5 untill model year 2009 4MOTION	19
1012 0002	Suspension lift kit „Desert“ Monroe for T5 untill model year 2009 front-wheel drive.....	20
1012 0003	Suspension lift kit „Desert HD“ Monroe for T5 untill model year 2009 front-wheel drive.....	21
1012 0004	Suspension lift kit „Maxi HD“ Monroe for T5 untill model year 2009 4MOTION	22
1012 0005	Suspension lift kit „Maxi Komfort“ for T5 untill model year 2009 4MOTION	23
1012 0007	Suspension lift kit „Maxi HD“ Monroe for T5 untill model year 2009 front-wheel drive	24
1012 0008	Suspension lift kit „Maxi Komfort“ Monroe for T5 untill model year 2009 front-wheel drive25	
1012 0010	Suspension lift kit „Desert“ Koni for T5 untill model year 2009 4MOTION	26
1012 0011	Suspension lift kit „Desert HD“ Koni for T5 untill model year 2009 4MOTION	27
1012 0012	Suspension lift kit „Desert“ Koni for T5 untill model year 2009 front-wheel drive	28
1012 0013	Suspension lift kit „Desert HD“ Koni for T5 untill model year 2009 front-wheel drive.....	29
1012 0015	Suspension lift kit „Desert“ Bilstein for T5 untill model year 2009 4MOTION	30
1012 0016	Suspension lift kit „Desert HD“ Bilstein for T5 untill model year 2009 4MOTION	31
1012 0017	Suspension lift kit „Desert“ Bilstein for T5 untill model year 2009 front-wheel drive.....	32
1012 0018	Suspension lift kit „Desert HD“ Bilstein for T5 untill model year 2009 front-wheel drive.....	33
	Installation guide	35
	Chassis adjustment	44

Parts list:

1014 0000 Suspension lift kit „Desert HD“ Monroe for T5 from model year 2010 and T6 4MOTION



Position	Article number	Designation	Amount
1	10120063	Shock absorber T5/T6 front axle (FA) Monroe	2
2	10120062	Shock absorber T5/T6 rear axle (RA) Monroe	2
3	10140051	Chassis spring T6 front axle (FA)	2
4	10120071	Chassis spring rear axle (RA) HD	2
5	10120084	Spring pad rear axle (RA) down	2
6	10120085	Spring pad rear axle (RA) up	2
7	10120078	Buffer T5/T6 front axle (FA)	2
8	10120083	Extension buffer	2
9	10120053	Aluminium spacer washer, differential, rear axle (RA), front	1
10	10120054	Aluminium spacer washer, differential, rear axle (RA), rear	2
11	17100000	Cylinder screw M5x25	2
12	17100042	Hex collar screw M10x125 10.9	2
13	17100002	Hex collar screw M12x1,5x115 10.9	1
14	17100003	Hex collar screw M14x1,5x102 10.9	2
15	17500100	Washer 27/14,5x4	2
16	17200001	12-point collar nut self-locking M20x1,5	2
17	17500000	Rivet nut M5 0,5-3	2

1014 0001 Suspension lift kit „Desert“ Monroe for T5 from model year 2010 and T6 4MOTION



Pos.	Article number	Designation	Amount
1	10120063	Shock absorber T5/T6 FA Monroe	2
2	10120062	Shock absorber T5/T6 RA Monroe	2
3	10140051	Shock absorber T6 FA	2
4	10120072	Shock absorber RA	2
5	10120076	Spring pad FA down	2
6	10120077	Spring pad FA up	2
7	10120078	Buffer T5/T6 FA	2
8	10120083	Extension buffer	2
9	10120053	Aluminium spacer washer, differential RA, front	1
10	10120054	Aluminium spacer washer, differential RA, rear	2
11	17100000	Cylinder screw M5x25	2
12	17100042	Hex collar screw M10x125 10.9	2
13	17100002	Hex collar screw M12x1,5x115 10.9	1
14	17100003	Hex collar screw M14x1,5x102 10.9	2
15	17500100	Washer 27/14,5x4	2
16	17200001	12-point collar nut self-locking M20x1,5	2
17	17500000	Rivet nut M5 0,5-3	2

FA = front axle / RA = rear axle

1014 0002 Suspension lift kit „Desert“ Monroe for T5 from model year 2010 and T6 front-wheel drive



Pos.	Article number	Designation	Amount
1	10120063	Shock absorber T5/T6 FA Monroe	2
2	10120062	Shock absorber T5/T6 RA Monroe	2
3	10140051	Chassis spring T6 FA	2
4	10120072	Chassis spring RA	2
5	10120076	Spring pad RA down	2
6	10120077	Spring pad RA up	2
7	10120078	Buffer T5/T6 FA	2
8	10120083	Extension buffer	2
9	17100000	Cylinder screw M5x25	2
10	17100003	Hex collar screw M14x1,5x102 10.9	2
11	17500100	Washer 27/14,5x4	2
12	17200001	12-point collar nut self-locking M20x1,5	2
13	17500000	12-point collar nut self-locking M5 0,5-3	2

FA = front axle / RA = rear axle

1014 0003 Suspension lift kit „Desert HD“ Monroe for T5 from model year 2010 and T6 front-wheel drive



Pos.	Article number	Designation	Amount
1	10120063	Shock absorber T5/T6 FA Monroe	2
2	10120062	Shock absorber T5/T6 RA Monroe	2
3	10140051	Chassis spring T6 FA	2
4	10120071	Chassis spring RA HD	2
5	10120084	Spring pad RA down	2
6	10120085	Spring pad RA up	2
7	10120078	Buffer T5/T6 FA	2
8	10120083	Extension buffer	2
9	17100000	Cylinder screw M5x25	2
10	17100003	Hex collar screw M14x1,5x102 10.9	2
11	17500100	Washer 27/14,5x4	2
12	17200001	12-point collar nut self-locking M20x1,5	2
13	17500000	Rivet nut M5 0,5-3	2

FA = front axle / RA = rear axle

1014 0004 Suspension lift kit „Maxi HD“ Monroe for T5 from model year 2010 and T6 4MOTION



Pos.	Article number	Designation	Amount
1	10120064	Shock absorber T5/T6 FA Maxi Monroe	2
2	10120062	Shock absorber T5/T6 RA Monroe	2
3	10140051	Chassis spring T6 FA	2
4	10120071	Chassis spring RA HD	2
5	10120084	Spring pad RA down	2
6	10120085	Spring pad RA up	2
7	10120078	Buffer T5/T6 FA	2
8	10120083	Extension buffer	2
9	10120053	Aluminium spacer washer differential RA front	1
10	10120054	Aluminium spacer washer differential RA rear	2
11	17100000	Cylinder screw M5x25	2
12	17100042	Hex collar screw M10x125 10.9	2
13	17100002	Hex collar screw M12x1,5x115 10.9	1
14	17100003	Hex collar screw M14x1,5x102 10.9	2
15	17500100	Washer 27/14,5x4	2
16	17500000	Rivet nut M5 0,5-3	2

FA = front axle / RA = rear axle

1014 0005 Suspension lift kit „Maxi Komfort“ Monroe for T5 from model year 2010 and T6 4MOTION



Pos.	Article number	Designation	Amount
1	10120064	Shock absorber T5/T6 FA Maxi Monroe	2
2	10120062	Shock absorber T5/T6 RA Monroe	2
3	10140051	Chassis spring T6 FA	2
4	10120072	Chassis spring RA	2
5	10120076	Spring pad RA down	2
6	10120077	Spring pad RA up	2
7	10120078	Buffer T5/T6 FA	2
8	10120083	Extension buffer	2
9	10120053	Aluminium spacer washer differential RA front	1
10	10120054	Aluminium spacer washer differential RA rear	2
11	17100000	Cylinder screw M5x25	2
12	17100042	Hex collar screw M10x125 10.9	2
13	17100002	Hex collar screw M12x1,5x115 10.9	1
14	17100003	Hex collar screw M14x1,5x102 10.9	2
15	17500100	Washer 27/14,5x4	2
16	17500000	Rivet nut M5 0,5-3	2

FA = front axle / RA = rear axle

1014 0007 Suspension lift kit „Maxi HD“ Monroe for T5 from model year 2010 and T6 front-wheel drive



Pos.	Article number	Designation	Amount
1	10120064	Shock absorber T5/T6 FA Monroe	2
2	10120062	Shock absorber T5/T6 RA Monroe	2
3	10140051	Chassis spring T6 FA	2
4	10120071	Chassis spring RA HD	2
5	10120084	Spring pad RA down	2
6	10120085	Spring pad RA up	2
7	10120078	Buffer T5/T6 FA	2
8	10120083	Extension buffer	2
9	17100000	Cylinder screw M5x25	2
10	17100003	Hex collar screw M14x1,5x102 10.9	2
11	17500100	Washer 27/14,5x4	2
12	17500000	Rivet nut M5 0,5-3	2

FA = front axle / RA = rear axle

1014 0008 Suspension lift kit „Maxi Komfort“ Monroe for T5 from model year 2010 and T6 front-wheel drive



Pos.	Article number	Designation	Amount
1	10120064	Shock absorber T5/T6 FA Monroe	2
2	10120062	Shock absorber T5/T6 RA Monroe	2
3	10140051	Chassis spring T6 FA	2
4	10120072	Chassis spring RA	2
5	10120076	Spring pad RA down	2
6	10120077	Spring pad RA up	2
7	10120078	Buffer T5/T6 FA	2
8	10120083	Extension buffer	2
9	17100000	Cylinder screw M5x25	2
10	17100003	Hex collar screw M14x1,5x102 10.9	2
11	17500100	Washer 27/14,5x4	2
12	17500000	Rivet nut M5 0,5-3	2

FA = front axle / RA = rear axle

1014 0010 Suspension lift kit „Desert“ Koni for T5 from model year 2010 and T6 4MOTION



Pos.	Article number	Designation	Amount
1	10140054	Shock absorber T5/T6 FA Koni with FSD	2
2	10140055	Shock absorber T5/T6 RA Koni with FSD	2
3	10120072	Chassis spring RA	2
4	10140051	Chassis spring T6 FA	2
5	10120076	Spring pad RA down	2
6	10120077	Spring pad RA up	2
7	10120078	Buffer T5/T6 VA	2
8	10120083	Extension buffer	2
9	10120053	Aluminium spacer washer differential RA front	1
10	10120054	Aluminium spacer washer differential RA rear	2
11	17100000	Cylinder screw M5x25	2
12	17100042	Hex collar screw M10x125 10.9	2
13	17100002	Hex collar screw M12x1,5x115 10.9	1
14	17100003	Hex collar screw M14x1,5x102 10.9	2
15	17500100	Washer 27/14,5x4	2
16	17200001	12-point collar nut self-locking M20x1,5	2
17	17500000	Rivet nut M5 0,5-3	2

FA = front axle / RA = rear axle

1014 0011 Suspension lift kit „Desert HD“ Koni for T5 from model year 2010 and T6 4MOTION



Pos.	Article number	Designation	Amount
1	10140054	Shock absorber T5/T6 FA Koni with FSD	2
2	10140055	Shock absorber T5/T6 RA Koni with FSD	2
3	10120072	Chassis spring RA	2
4	10140051	Chassis spring T6 FA	2
5	10120084	Spring pad RA down	2
6	10120085	Spring pad RA up	2
7	10120078	Buffer T5/T6 FA	2
8	10120083	Extension buffer	2
9	10120053	Aluminium spacer washer differential RA front	1
10	10120054	Aluminium spacer washer differential RA rear	2
11	17100000	Cylinder screw M5x25	2
12	17100042	Hex collar screw M10x125 10.9	2
13	17100002	Hex collar screw M12x1,5x115 10.9	1
14	17100003	Hex collar screw M14x1,5x102 10.9	2
15	17500100	Washer 27/14,5x4	2
16	17200001	12-point collar nut self-locking M20x1,5	2
17	17500000	Rivet nut M5 0,5-3	2

FA = front axle / RA = rear axle

1014 0012 Suspension lift kit „Desert“ Koni for T5 from model year 2010 and T6 front-wheel drive



Pos.	Article number	Designation	Amount
1	10140054	Shock absorber T5/T6 FA Koni with FSD	2
2	10140055	Shock absorber T5/T6 RA Koni with FSD	2
3	10120072	Chassis spring RA	2
4	10140051	Chassis spring T6 FA	2
5	10120076	Spring pad RA down	2
6	10120077	Spring pad RA up	2
7	10120078	Buffer T5/T6 FA	2
8	10120083	Extension buffer	2
9	17100000	Cylinder screw M5x25	2
10	17100003	Hex collar screw M14x1,5x102 10.9	2
11	17500100	Washer 27/14,5x4	2
12	17200001	12-point collar nut self-locking M20x1,5	2
13	17500000	Rivet nut M5 0,5-3	2

FA = front axle / RA = rear axle

1014 0013 Suspension lift kit „Desert HD“ Koni for T5 from model year 2010 and T6 front-wheel drive



Pos.	Article number	Designation	Amount
1	10140054	Shock absorber T5/T6 FA Koni with FSD	2
2	10140055	Shock absorber T5/T6 RA Koni with FSD	2
3	10140051	Chassis spring T6 FA	2
4	10120071	Chassis spring RA HD	2
5	10120084	Spring pad RA down	2
6	10120085	Spring pad RA up	2
7	10120078	Buffer T5/T6 FA	2
8	10120083	Extension buffer	2
9	17100000	Cylinder screw M5x25	2
10	17100003	Hex collar screw M14x1,5x102 10.9	2
11	17500100	Washer 27/14,5x4	2
12	17200001	12-point collar nut self-locking M20x1,5	2
13	17500000	Rivet nut M5 0,5-3	2

FA = front axle / RA = rear axle

1014 0015 Suspension lift kit „Desert“ Bilstein for T5 from model year 2010 and T6 4MOTION



Pos.	Article number	Designation	Amount
1	10120074	Shock absorber T5/T6 FA Bilstein	2
2	10120073	Shock absorber T5/T6 RA Bilstein	2
3	10140051	Chassis spring T6 FA	2
4	10120072	Chassis spring RA	2
5	10120076	Spring pad RA down	2
6	10120077	Spring pad RA up	2
7	10120078	Buffer T5/T6 FA	2
8	10120083	Extension buffer	2
9	10120053	Aluminium spacer washer differential RA front	1
10	10120054	Aluminium spacer washer differential RA rear	2
11	10140050	Spacer ring FA 13mm	2
12	17100000	Cylinder screw M5x25	2
13	17100042	Hex collar screw M10x125 10.9	2
14	17100002	Hex collar screw M12x1,5x115 10.9	1
15	17100003	Hex collar screw M14x1,5x102 10.9	2
16	17500100	Washer 27/14,5x4	2
17	17200001	12-point collar nut self-locking M20x1,5	2
18	17500000	Rivet nut M5 0,5-3	2

FA = front axle / RA = rear axle

1014 0016 Suspension lift kit „Desert HD“ Bilstein for T5 from model year 2010 and T6 4MOTION



Pos.	Article number	Designation	Amount
1	10120074	Shock absorber T5/T6 FA Bilstein	2
2	10120073	Shock absorber T5/T6 RA Bilstein	2
3	10140051	Chassis spring T6 FA	2
4	10120071	Chassis spring FA HD	2
5	10120084	Spring pad RA down	2
6	10120085	Spring pad RA up	2
7	10120078	Buffer T5/T6 FA	2
8	10120083	Extension buffer	2
9	10120053	Aluminium spacer washer differential RA front	1
10	10120054	Aluminium spacer washer differential RA rear	2
11	10140050	Spacer ring FA 13mm	2
12	17100000	Cylinder screw M5x25	2
13	17100042	Hex collar screw M10x125 10.9	2
14	17100002	Hex collar screw M12x1,5x115 10.9	1
15	17100003	Hex collar screw M14x1,5x102 10.9	2
16	17500100	Washer 27/14,5x4	2
17	17200001	12-point collar nut self-locking M20x1,5	2
18	17500000	Rivet nut M5 0,5-3	2

FA = front axle / RA = rear axle

1014 0017 Suspension lift kit „Desert“ Bilstein for T5 from model year 2010 and T6 front-wheel drive



Pos.	Article number	Designation	Amount
1	10120074	Shock absorber T5/T6 FA Bilstein	2
2	10120073	Shock absorber T5/T6 RA Bilstein	2
3	10140051	Chassis spring T6 a	2
4	10120072	Chassis spring RA	2
5	10120076	Spring pad RA down	2
6	10120077	Spring pad RA up	2
7	10120078	Buffer T5/T6 FA	2
8	10120083	Extension buffer	2
9	10140050	Spacer ring FA 13mm	2
10	17100000	Cylinder screw M5x25	2
11	17100003	Hex collar screw M14x1,5x102 10.9	2
12	17500100	Washer 27/14,5x4	2
13	17200001	12-point collar nut self-locking M20x1,5	2
14	17500000	Rivet nut M5 0,5-3	2

FA = front axle / RA = rear axle

1014 0018 Suspension lift kit „Desert HD“ Bilstein for T5 from model year 2010 and T6 front-wheel drive



Pos.	Article number	Designation	Amount
1	10120074	Shock absorber T5/T6 FA Bilstein	2
2	10120073	Shock absorber T5/T6 RA Bilstein	2
3	10140051	Chassis spring T6 FA	2
4	10120071	Chassis spring RA HD	2
5	10120084	Spring pad RA down	2
6	10120085	Spring pad RA up	2
7	10120078	Buffer T5/T6 FA	2
8	10120083	Extension buffer	2
9	10140050	Spacer ring FA 13mm	2
10	17100000	Cylinder screw M5x25	2
11	17100003	Hex collar screw M14x1,5x102 10.9	2
12	17500100	Washer 27/14,5x4	2
13	17200001	12-point collar nut self-locking M20x1,5	2
14	17500000	Rivet nut M5 0,5-3	2

FA = front axle / RA = rear axle

1012 0000 Suspension lift kit „Desert HD“ Monroe for T5 until model year 2009 4MOTION



Pos.	Article number	Designation	Amount
1	10120063	Shock absorber T5/T6 FA Monroe	2
2	10120062	Shock absorber T5/T6 RA Monroe	2
3	10120057	Chassis spring T5 FA	2
4	10120071	Chassis spring RA HD	2
5	10120084	Spring pad RA down	2
6	10120085	Spring pad RA up	2
7	10120078	Buffer T5/T6 FA	2
8	10120083	Extension buffer	2
9	10120053	Aluminium spacer washer differential RA front	1
10	10120054	Aluminium spacer washer differential RA rear	2
11	17100000	Cylinder screw M5x25	2
12	17100042	Hex collar screw M10x125 10.9	2
13	17100002	Hex collar screw M12x1,5x115 10.9	1
14	17100003	Hex collar screw M14x1,5x102 10.9	2
15	17500100	Washer 27/14,5x4	2
16	17200001	12-point collar nut self-locking M20x1,5	2
17	17500000	Rivet nut M5 0,5-3	2

FA = front axle / RA = rear axle

1012 0001 Suspension lift kit „Desert“ Monroe for T5 untill model year 2009 4MOTION



Pos.	Article number	Designation	Amount
1	10120063	Shock absorber T5/T6 FA Monroe	2
2	10120062	Shock absorber T5/T6 RA Monroe	2
3	10120057	Chassis spring T5 FA	2
4	10120072	Chassis spring RA	2
5	10120076	Spring pad RA down	2
6	10120077	Spring pad RA up	2
7	10120078	Buffer T5/T6 FA	2
8	10120083	Extension buffer	2
9	10120053	Aluminium spacer washer differential RA front	1
10	10120054	Aluminium spacer washer differential RA rear	2
11	17100000	Cylinder screw M5x25	2
12	17100042	Hex collar screw M10x125 10.9	2
13	17100002	Hex collar screw M12x1,5x115 10.9	1
14	17100003	Hex collar screw M14x1,5x102 10.9	2
15	17500100	Washer 27/14,5x4	2
16	17200001	12-point collar nut self-locking M20x1,5	2
17	17500000	Rivet nut M5 0,5-3	2

FA = front axle / RA = rear axle

1012 0002 Suspension lift kit „Desert“ Monroe for T5 until model year 2009 Front-wheel drive



Pos.	Article number	Designation	Amount
1	10120063	Shock absorber T5/T6 FA Monroe	2
2	10120062	Shock absorber T5/T6 RA Monroe	2
3	10120057	Chassis spring T5 FA	2
4	10120072	Chassis spring RA	2
5	10120076	Spring pad RA down	2
6	10120077	Spring pad RA up	2
7	10120078	Buffer T5/T6 FA	2
8	10120083	Extension buffer	2
9	17100000	Cylinder screw M5x25	2
10	17100003	Hex collar screw M14x1,5x102 10.9	2
11	17500100	Washer 27/14,5x4	2
12	17200001	12-point collar nut self-locking M20x1,5	2
13	17500000	Rivet nut M5 0,5-3	2

FA = front axle / RA = rear axle

1012 0003 Suspension lift kit „Desert HD“ Monroe for T5 until model year 2009 front-wheel drive



Pos.	Article number	Designation	Amount
1	10120063	Shock absorber T5/T6 FA Monroe	2
2	10120062	Shock absorber T5/T6 RA Monroe	2
3	10120057	Chassis spring T5 FA	2
4	10120071	Chassis spring RA HD	2
5	10120084	Spring pad RA down	2
6	10120085	Spring pad RA up	2
7	10120078	Buffer T5/T6 FA	2
8	10120083	Extension buffer	2
9	17100000	Cylinder screw M5x25	2
10	17100003	Hex collar screw M14x1,5x102 10.9	2
11	17500100	Washer 27/14,5x4	2
12	17200001	12-point collar nut self-locking M20x1,5	2
13	17500000	Rivet nut M5 0,5-3	2

FA = front axle / RA = rear axle

1012 0004 Suspension lift kit „Maxi HD“ Monroe for T5 untill model year 2009 4MOTION



Pos.	Article number	Designation	Amount
1	10120064	Shock absorber T5/T6 FA Maxi Monroe	2
2	10120062	Shock absorber T5/T6 RA Monroe	2
3	10120057	Chassis spring T5 FA	2
4	10120071	Chassis spring RA HD	2
5	10120084	Spring pad RA down	2
6	10120085	Spring pad RA up	2
7	10120078	Buffer T5/T6 FA	2
8	10120083	Extension buffer	2
9	10120053	Aluminium spacer washer differential RA front	1
10	10120054	Aluminium spacer washer differential RA rear	2
11	17100000	Cylinder screw M5x25	2
12	17100042	Hex collar screw M10x125 10.9	2
13	17100002	Hex collar screw M12x1,5x115 10.9	1
14	17100003	Hex collar screw M14x1,5x102 10.9	2
15	17500100	Washer 27/14,5x4	2
16	17500000	Rivet nut M5 0,5-3	2

FA = front axle / RA = rear axle

1012 0005 Suspension lift kit „Maxi Komfort“ for T5 untill model year 2009 4MOTION



Pos.	Article number	Designation	Amount
1	10120064	Shock absorber T5/T6 FA Maxi Monroe	2
2	10120062	Shock absorber T5/T6 RA Monroe	2
3	10120057	Chassis spring T5 FA	2
4	10120072	Chassis spring RA	2
5	10120076	Spring pad RA down	2
6	10120077	Spring pad RA up	2
7	10120078	Buffer T5/T6 FA	2
8	10120083	Extension buffer	2
9	10120053	Aluminium spacer washer differential RA front	1
10	10120054	Aluminium spacer washer differential RA rear	2
11	17100000	Cylinder screw M5x25	2
12	17100042	Hex collar screw M10x125 10.9	2
13	17100002	Hex collar screw M12x1,5x115 10.9	1
14	17100003	Hex collar screw M14x1,5x102 10.9	2
15	17500100	Washer 27/14,5x4	2
16	17500000	Rivet nut M5 0,5-3	2

FA = front axle / RA = rear axle

1012 0007 Suspension lift kit „Maxi HD“ Monroe for T5 untill model year 2009 front-wheel drive



Pos.	Article number	Designation	Amount
1	10120064	Shock absorber T5/T6 FA Monroe	2
2	10120062	Shock absorber T5/T6 RA Monroe	2
3	10120057	Chassis spring T5 FA	2
4	10120071	Chassis spring RA HD	2
5	10120084	Spring pad RA down	2
6	10120085	Spring pad RA up	2
7	10120078	Buffer T5/T6 FA	2
8	10120083	Extension buffer	2
9	17100000	Cylinder screw M5x25	2
10	17100003	Hex collar screw M14x1,5x102 10.9	2
11	17500100	Washer 27/14,5x4	2
12	17500000	Rivet nut M5 0,5-3	2

FA = front axle / RA = rear axle

1012 0008 Suspension lift kit „Maxi Komfort“ Monroe for T5 until model year 2009 front-wheel drive



Pos.	Article number	Designation	Amount
1	10120064	Shock absorber T5/T6 FA Monroe	2
2	10120062	Shock absorber T5/T6 RA Monroe	2
3	10120057	Chassis spring T5 FA	2
4	10120072	Chassis spring RA	2
5	10120076	Spring pad RA down	2
6	10120077	Spring pad RA up	2
7	10120078	Buffer T5/T6 FA	2
8	10120083	Extension buffer	2
9	17100000	Cylinder screw M5x25	2
10	17100003	Hex collar screw M14x1,5x102 10.9	2
11	17500100	Washer 27/14,5x4	2
12	17500000	Rivet nut M5 0,5-3	2

FA = front axle / RA = rear axle

1012 0010 Suspension lift kit „Desert“ Koni for T5 until model year 2009 4MOTION



Pos.	Article number	Designation	Amount
1	10140054	Shock absorber T5/T6 FA Koni with FSD	2
2	10140055	Shock absorber T5/T6 RA Koni with FSD	2
3	10120057	Chassis spring T5 FA	2
4	10120072	Chassis spring RA	2
5	10120076	Spring pad RA down	2
6	10120077	Spring pad RA up	2
7	10120078	Buffer T5/T6 FA	2
8	10120083	Extension buffer	2
9	10120053	Aluminium spacer washer differential RA front	1
10	10120054	Aluminium spacer washer differential RA rear	2
11	17100000	Cylinder screw M5x25	2
12	17100042	Hex collar screw M10x125 10.9	2
13	17100002	Hex collar screw M12x1,5x115 10.9	1
14	17100003	Hex collar screw M14x1,5x102 10.9	2
15	17500100	Washer 27/14,5x4	2
16	17200001	12-point collar nut self-locking M20x1,5	2
17	17500000	Rivet nut M5 0,5-3	2

FA = front axle / RA = rear axle

1012 0011 Suspension lift kit „Desert HD“ Koni for T5 untill model year 2009 4MOTION



Pos.	Article number	Designation	Amount
1	10140054	Shock absorber T5/T6 FA Koni with FSD	2
2	10140055	Shock absorber T5/T6 RA Koni with FSD	2
3	10120057	Chassis spring T5 FA	2
4	10120071	Chassis spring RA HD	2
5	10120084	Spring pad RA down	2
6	10120085	Spring pad RA up	2
7	10120078	Buffer T5/T6 FA	2
8	10120083	Extension buffer	2
9	10120053	Aluminium spacer washer differential RA front	1
10	10120054	Aluminium spacer washer differential RA rear	2
11	17100000	Cylinder screw M5x25	2
12	17100042	Hex collar screw M10x125 10.9	2
13	17100002	Hex collar screw M12x1,5x115 10.9	1
14	17100003	Hex collar screw M14x1,5x102 10.9	2
15	17500100	Washer 27/14,5x4	2
16	17200001	12-point collar nut self-locking M20x1,5	2
17	17500000	Rivet nut M5 0,5-3	2

FA = front axle / RA = rear axle

1012 0012 Suspension lift kit „Desert“ Koni for T5 until model year 2009 front-wheel drive



Pos.	Article number	Designation	Amount
1	10140054	Shock absorber T5/T6 FA Koni with FSD	2
2	10140055	Shock absorber T5/T6 RA Koni with FSD	2
3	10120057	Chassis spring T5 FA	2
4	10120072	Chassis spring RA	2
5	10120076	Spring pad RA down	2
6	10120077	Spring pad RA up	2
7	10120078	Buffer T5/T6 FA	2
8	10120083	Extension buffer	2
9	17100000	Cylinder screw M5x25	2
10	17100003	Hex collar screw M14x1,5x102 10.9	2
11	17500100	Washer 27/14,5x4	2
12	17200001	12-point collar nut self-locking M20x1,5	2
13	17500000	Rivet nut M5 0,5-3	2

FA = front axle / RA = rear axle

1012 0013 Suspension lift kit „Desert HD“ Koni for T5 until model year 2009 front-wheel drive



Pos.	Article number	Designation	Amount
1	10140054	Shock absorber T5/T6 FA Koni with FSD	2
2	10140055	Shock absorber T5/T6 RA Koni with FSD	2
3	10120057	Chassis spring T5 FA	2
4	10120071	Chassis spring RA HD	2
5	10120084	Spring pad RA down	2
6	10120085	Spring pad RA up	2
7	10120078	Buffer T5/T6 FA	2
8	10120083	Extension buffer	2
9	17100000	Cylinder screw M5x25	2
10	17100003	Hex collar screw M14x1,5x102 10.9	2
11	17500100	Washer 27/14,5x4	2
12	17200001	12-point collar nut self-locking M20x1,5	2
13	17500000	Rivet nut M5 0,5-3	2

FA = front axle / RA = rear axle

1012 0015 Suspension lift kit „Desert“ Bilstein for T5 untill model year 2009 4MOTION



Pos.	Article number	Designation	Amount
1	10120074	Shock absorber T5/T6 FA Bilstein	2
2	10120073	Shock absorber T5/T6 RA Bilstein	2
3	10120057	Chassis spring T5 FA	2
4	10120072	Chassis spring RA	2
5	10120076	Spring pad RA down	2
6	10120077	Spring pad RA up	2
7	10120078	Buffer T5/T6 FA	2
8	10120083	Extension buffer	2
9	10120053	Aluminium spacer washer differential RA front	1
10	10120054	Aluminium spacer washer differential RA rear	2
11	10120055	Spacer ring T5 FA 13mm	2
12	17100000	Cylinder screw M5x25	2
13	17100042	Hex collar screw M10x125 10.9	2
14	17100002	Hex collar screw M12x1,5x115 10.9	1
15	17100003	Hex collar screw M14x1,5x102 10.9	2
16	17500100	Washer 27/14,5x4	2
17	17200001	12-point collar nut self-locking M20x1,5	2
18	17500000	Rivet nut M5 0,5-3	2

FA = front axle / RA = rear axle

1012 0016 Suspension lift kit „Desert HD“ Bilstein for T5 untill model year 2009 4MOTION



Pos.	Article number	Designation	Amount
1	10120074	Shock absorber T5/T6 FA Bilstein	2
2	10120073	Shock absorber T5/T6 RA Bilstein	2
3	10120057	Chassis spring T5 FA	2
4	10120071	Chassis spring RA HD	2
5	10120084	Spring pad RA down	2
6	10120085	Spring pad RA up	2
7	10120078	Buffer T5/T6 FA	2
8	10120083	Extension buffer	2
9	10120053	Aluminium spacer washer differential RA front	1
10	10120054	Aluminium spacer washer differential RA rear	2
11	10120055	Spacer ring T5 FA 13mm	2
12	17100000	Cylinder screw M5x25	2
13	17100042	Hex collar screw M10x125 10.9	2
14	17100002	Hex collar screw M12x1,5x115 10.9	1
15	17100003	Hex collar screw M14x1,5x102 10.9	2
16	17500100	Washer 27/14,5x4	2
17	17200001	12-point collar nut self-locking M20x1,5	2
18	17500000	Rivet nut M5 0,5-3	2

FA = front axle / RA = rear axle

1012 0017 Suspension lift kit „Desert“ Bilstein for T5 untill model year 2009 Front-wheel drive



Pos.	Article number	Designation	Amount
1	10120074	Shock absorber T5/T6 FA Bilstein	2
2	10120073	Shock absorber T5/T6 RA Bilstein	2
3	10120057	Chassis spring T5 FA	2
4	10120072	Chassis spring RA	2
5	10120076	Spring pad RA down	2
6	10120077	Spring pad RA up	2
7	10120078	Buffer T5/T6 FA	2
8	10120083	Extension buffer	2
9	10120055	Spacer ring T5 FA 13mm	2
10	17100000	Cylinder screw M5x25	2
11	17100003	Hex collar screw M14x1,5x102 10.9	2
12	17500100	Washer 27/14,5x4	2
13	17200001	12-point collar nut self-locking M20x1,5	2
14	17500000	Rivet nut M5 0,5-3	2

FA = front axle / RA = rear axle

1012 0018 Suspension lift kit „Desert HD“ Bilstein for T5 untill model year 2009 front-wheel drive



Pos.	Article number	Designation	Amount
1	10120074	Shock absorber T5/T6 FA Bilstein	2
2	10120073	Shock absorber T5/T6 RA Bilstein	2
3	10120057	Chassis spring T5 FA	2
4	10120071	Chassis spring RA HD	2
5	10120084	Spring pad RA down	2
6	10120085	Spring pad RA up	2
7	10120078	Buffer T5/T6 FA	2
8	10120083	Extension buffer	2
9	10120055	Spacer ring T5 FA 13mm	2
10	17100000	Cylinder screw M5x25	2
11	17100003	Hex collar screw M14x1,5x102 10.9	2
12	17500100	Washer 27/14,5x4	2
13	17200001	12-point collar nut self-locking M20x1,5	2
14	17500000	Rivet nut M5 0,5-3	2

FA = front axle / RA = rear axle



Volkswagen Transporter T5-T6.1			
Suspension lift kit			
Nummer:	1012 0000	Stand:	06.2021
Revision:	16	Sprache:	EN

Optionally the following parts can be supplied with the suspension lift kit:



1012 0067 Spacer washer steering T5 5 mm
1014 0052 Spacer washer steering T6 7,5 mm



1015 0100 Spacer washer steering T6.1 7,5 mm



1014 0053 Spacer washer drive shaft front axle

Important

To ensure proper function and optimal quality of our parts, their installation must be done in accordance with this installation guide and according to Volkswagen manufacture's specifications in a professional workshop. SEIKEL GmbH and its employees shall not be responsible for damage and its consequences of any nature, which are caused due to non-observance or ignorance of these guidelines. Warranties shall be void for incorrectly performed installations.

Installation guide

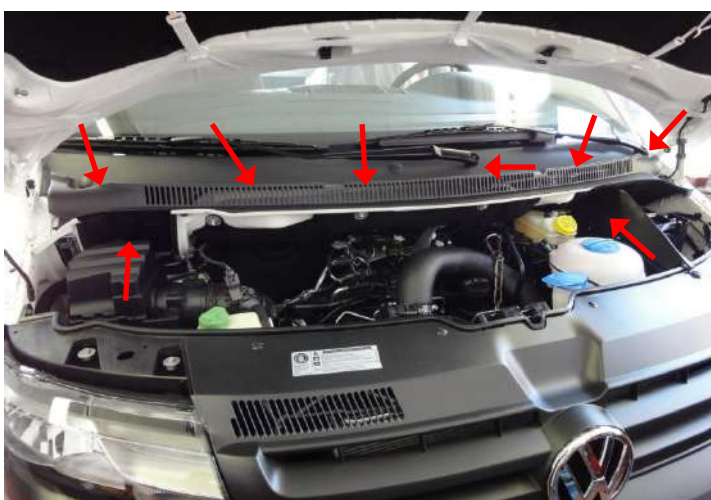
Please refer to the Volkswagen instructions for the exact working steps as well as the tightening torques. In case of deviation, our specifications shall be applicable.

The installation of the Koni shock absorbers is carried out analogue to the Monroe shock absorbers.



Recommended special tools

- 10 / 12 / 14 / multi-spline nut
- conical hinge puller
- thread hand riveter
- Volkswagen N°3424: spreader 5x8mm



Instructions

Dismount left and right wiper arms, water box cover and water box sheets on left and right.



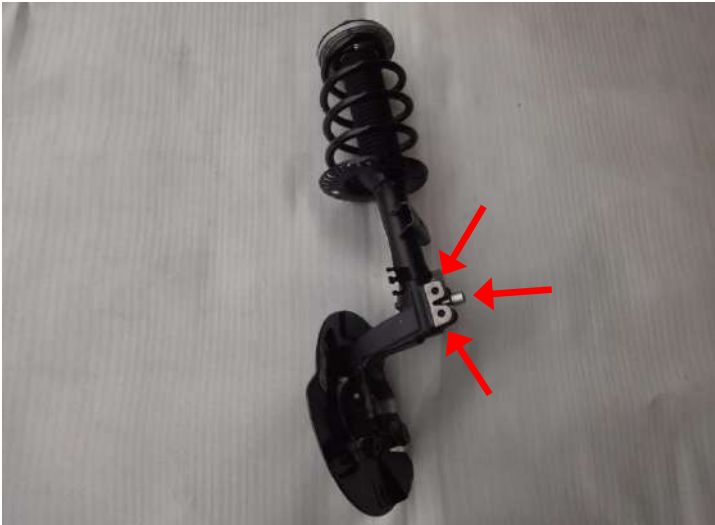
Remove plastic caps of shock absorbers on the front right and loosen nut on strut bearing until it is level with shock absorber piston rod.



Remove plastic caps of shock absorbers on the front left and loosen nut on strut bearing until it is level with shock absorber piston rod.



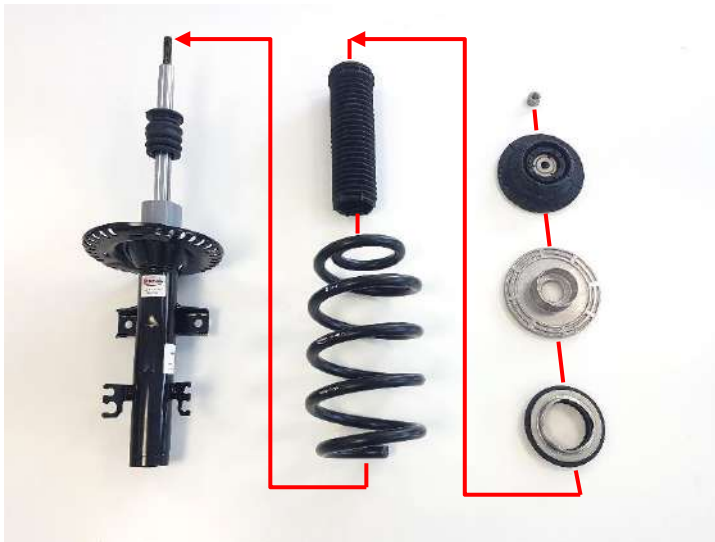
Loosen brake caliper completely with brake disc, steering link, stabiliser and ball joint, and pull suspension strut forward. Unscrew main nut of axle shaft and pull the shaft inward. Remove suspension strut from the wheel housing.



Loosen both the clamp screws on wheel carriers and dismount shock absorber with spreader.



Loosen shock absorber nut and dismount spring. Note: Bellows will be re-used.



Assemble the new parts, shock absorber, spring and bump stop with the following parts from the vehicle, strut mount, aluminum spring disc thrust bearing and protective sleeve according to the order on the image. Finally, everything is screwed with the nut on the shock absorber and tightened according to factory specifications.
(Image shows Monroe shock absorber, also applicable for red Koni shock absorber)



In case of Bilstein shock absorbers:
mount an additional 13 mm spacer (1), as shown in the image below.

Note:
There are two versions of the 13 mm spacer, one silver and one black. The black spacer gets installed in case of thrust bearing in new vehicles from May 2015 and as a spare part.



Place 13 mm spacer between aluminum spring disc and thrust bearing, as shown in the image.
(Only in case of Bilstein shock absorbers.)



If optionally spacer washers for steering are supplied remove the left and the right steering rack gaiter and loosen the tie rod ball joints. Plug the supplied spacer washers with some grease onto the toothed rack and install again according the Volkswagen AG specifications.

Attention: For T6.1 vehicles, mount the spacer with its large chamfer pointing towards the steering gear.



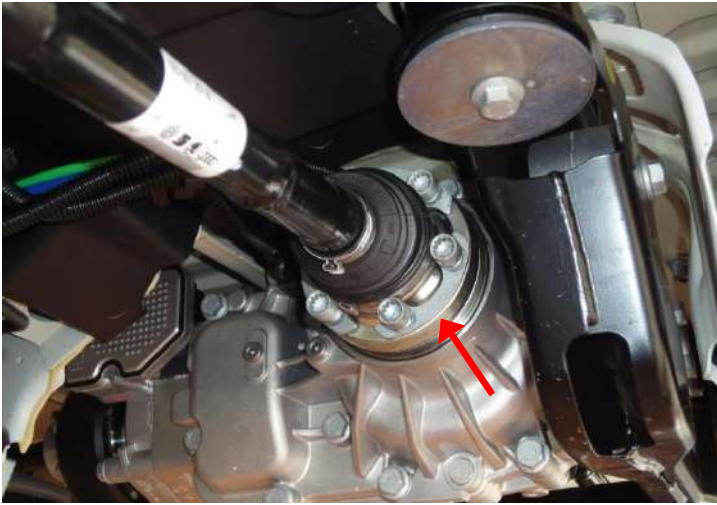
If the spacer washer 1014 0053 is supplied it has to be pushed across the stub axle of the front axle drive shaft with the flat continuous side to the outside.

Applies to all T6.1, T6 with double-clutch gearbox and T6 with 150 kW engine.



The mounting of the suspension strut is done in the reverse sequence of the dismantling. Insert the suspension strut up to the limit stop (possibly, remove rust on the contact surface before) and tighten from above.

Tighten all screws and nuts using torque, as per Volkswagen AG specifications.



Completely unscrew drive shafts off the rear axle, left and right on the axle drive.



Completely unscrew shock absorber off its lower mounting (support rear axle lever with jack) and then loosen at the top. Release levers carefully and dismount spring, spring cap and buffer.



Enlarge the existing hole in the body with 7 mm drill (refer to image). Apply anti-corrosive coating after drilling.



Insert 5 mm rivet nut using rivet pliers in the drilled hole.



Screw buffer extension with 5 mm hex screw.



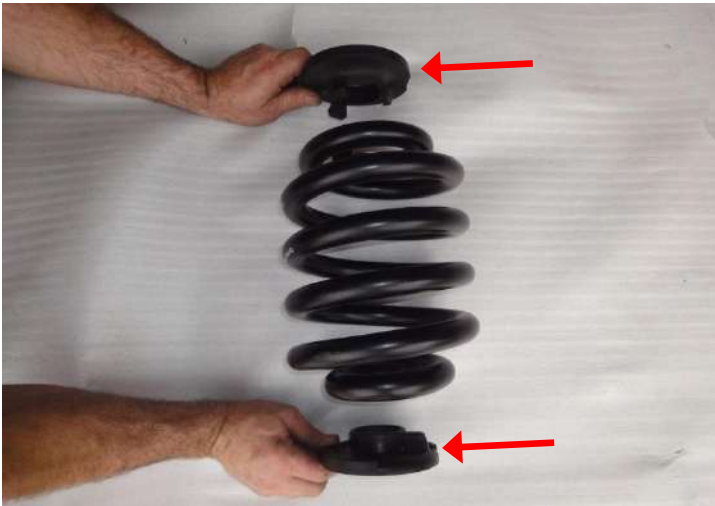
Press in the original buffer and with wire let the air pad above the buffer escape.



Insert spring pad 10mm or 15mm between body and upper rubber spring cap (if required). The pad is no standard delivery and is needed for special vehicle configuration, only.

Note:

Pay attention to installation position, mount recessed side of the spring pad to body. The spring pad must lay flat.



Spray both the rubber spring caps with silicon spray. Align the springs in such a way that the label is clearly legible, then attach the upper rubber spring cap 1012 0077 (Desert) or 1012 0085 (Desert HD and Maxi HD) to the spring at the top. Pre-position the lower rubber spring cap 1012 0076 (Desert) or 1012 0084 (Desert HD and Maxi HD) and mount with spring.



Fix shock absorber at the top, lift the trailing arm using the jack and screw the shock absorber with new screw and washer to the lower fixing eyelet. Pay attention to the mounting direction of the damper.

Fix all the screws as per manufacturer's specifications.

Note:

While doing this, vehicle must be on wheels in order to avoid overloading the rubber/metal caps.



Support the subframe on rear axle gearbox with lever and loosen. Mount the aluminium washer 1012 0053 or SFT5HA15V with recess below the front rear-axle mounting point in the direction of travel, as shown in the image. Tighten screw with 90 Nm and rotate 180° further.



Mount the aluminium washer 1012 0054 or SFT5 HA15H below the left rear-axle mounting point at the back in the direction of travel, as shown in the image. Tighten screw with 50 Nm and rotate 180° further.



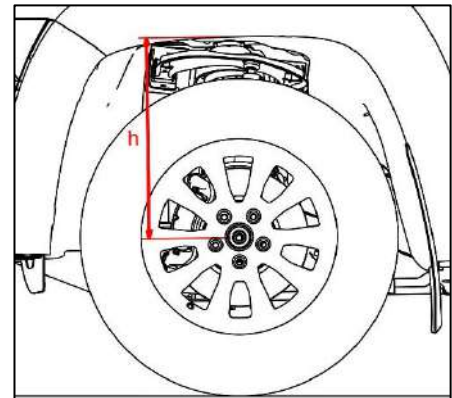
Mount the aluminium washer 1012 0054 or SFT5 HA15H below the left rear-axle mounting point at the back in the direction of travel, as shown in the image. Tighten screw with 50 Nm and rotate 180° further.



Volkswagen Transporter T5-T6.1			
Suspension lift kit			
Number:	1012 0000	Stand:	06.2021
Revision:	16	Sprache:	EN

After completing all the work:

- Bring the vehicle to the level (h) specified as per data sheet (using weights) for the purpose of axle alignment.
- If it is not possible to achieve the specified axle set-point of both the axles, for instance due to vehicle equipment, it is permissible to adjust the axles as per the standard values of Volkswagen AG.
- Adjust the axle geometry as per data sheet.
- Adjust headlight as per Volkswagen guidelines.



Add the missing data in the attached certificate of warranty and re-send so that the warranty can become valid.

Chassis adjustment

Model		Volkswagen Transporter from model year 2005	
Article number		SEIKEL 1012 0000, 1012 0001, 1012 0002, 1012 0003, 1012 0010, 1012 0011, 1012 0012, 1012 0013, 1012 0015, 1012 0016, 1012 0017, 1012 0018, 1014 0000, 1014 0001, 1014 0002, 1014 0003, 1014 0010, 1014 0011, 1014 0012, 1014 0013, 1014 0015, 1014 0016, 1014 0017, 1014 0018	
Adjustment		Left	Right
Level	Front	490 +/- 10mm	
	Rear	510 +/- 15mm (-0000, -0005, -0008) 520 +/- 15mm	
Date:	04.2011	Set point	Max. difference left/right
Rear axle	Camber angle left/right	0°00' +/-30'	+/-1°00'
	Toe-in angel left/right	0°05' +/-05'	
	Total toe-in angel	0°10' +/-10'	
	Thrust angle	0°00' +/-10'	
Front axle	Castor left/right	3°50' +/-30'	incl. inclination
	Forward inclination	1°00' +/-40'	
	Toe difference at 20° left/right	1°20' +/-30'	
	Camber angle left/right	0°15' +/-30'	+/-1°00'
	Toe-in angel left/right	0°05' +/-05'	
	Total toe-in angel	0°10' +/-10'	
	Wheel offset	0°00' +/-10'	



Volkswagen Transporter T5-T6.1			
Suspension lift kit			
Number:	1012 0000	Stand:	06.2021
Revision:	16	Sprache:	EN

Model		Volkswagen Transporter MAXI & Widder	
Article number		SEIKEL 1012 0004, 1012 0005, 1012 0007, 1012 0008, 1014 0004, 1014 0005, 1014 0007, 1014 0008	
Adjustment		Left	Right
Level	Front	T5 Maxi 490 +/- 10mm T5 Widder 502 +/- 10mm	
	Rear	525 +/- 15mm	
Date:	04.2011	Set point	Max. difference left/right
Rear axle	Camber angle left/right	0°00' +/-30'	+/-1°00'
	Toe-in angel left/right	0°05' +/-05'	
	Total toe-in angel	0°10' +/-10'	
	Thrust angle	0°00' +/-10'	
Front axle	Castor left/right	3°50' +/-30'	incl. inclination
	Forward inclination	1°00' +/-40'	
	Toe difference at 20° left/right	1°20' +/-30'	
	Camber angle left/right	0°15' +/-30'	+/-1°00'
	Toe-in angel left/right	0°05' +/-05'	
	Total toe-in angel	0°10' +/-10'	
	Wheel offset	0°00' +/-10'	