



Project	
Notes	
Type	Date
Cat. No.	



LVTS™ Series **Vaportight LED Strip**

DESCRIPTION

The LVTS series is a next generation LED Vapor Tight fixture that provides maximum light output with durable construction. It is ideal for featuring a one piece polycarbonate housing and lens. The LVTS was designed to meet or exceed IES recommended foot-candle levels at installed heights for parking garages. Ideal for utility lighting, parking garages and stairwells; where meeting applicable building and safety codes is required.

LVTS Series

48" Housing
40W (4000 Lumens)
52W (5200 Lumens)

96" Housing
68W (7400 Lumens)
104W (11400 Lumens)



Specification Features

Construction

UV stabilized, injection molded, impact resistant, polycarbonate housing. 20 gauge steel channel cover, lens design and materials provide uniform appearance without pixelation.

Certification

All luminaires are built to UL 1598 and 2108 standards, and bear appropriate ETL labels. Wet location labeling is standard. Emergency equipped fixtures labeled UL924. Adheres to LM70, LM80, and TM21 industry standards. DesignLights Consortium® (DLC) DLC qualified product. Not all models of this product may be DLC qualified. Please check the DLC Qualified Products List at www.designlights.org/QPL to confirm which models are qualified.

Warranty

5-year Limited Warranty. See warranty documentation for more information.

Electrical

Equipped standard with fixed output driver. Optional 0-10V continuous dimming driver that works with any standard 0-10V control/dimmer. Long-Life LED's 60,000 hours at L80 with projected life over 100,000 hours for reduced life cycle maintenance costs. Luminaire can be ceiling or suspend mounted. Power connection is easily accommodated through pre-drilled holes at each end, watertight plugs ship standard on each end.

Installation

Quick mounting clips included. Suitable for suspension or surface mounting.

Options

Optional On/Off Motion Sensor, high voltage transformer, emergency battery backups, whips and cords.

Rated Life 60,000 hours
Limited Warranty 5 years
Efficacy 114 lm/W
Continuous Dimming



Quick Ship

- LVTS-40-MV-850
- LVTS-52-MVD-850
- LVTS-40-MV-840
- LVTS-52-MVD-840
- LVTS-8-68-MVD-850

Ordering Information

Example: LVTS-40-MV-850-OS

LVTS	40	MV	8	50
Series LVTS Vaportight LED Strip	Rated Wattage 48" Housing 40- 40W (4000 Lumens) ² 52- 52W (5200 Lumens) ² 96" Housing 8-68- 68W (7400 Lumens) ²	Driver Type MV- 120-277V ² MVD- 120-277V; 0-10V Dimming ² HVD-347-480V,0-10V Dimming ¹ HV-347-480V ¹	CRI 8 80+ CRI	Color Temp 40 4000 K ² 50 5000 K ²
Options				
		Emergency Backup EML8 800lm EML16 1600lm	Controls OS- Fixture Mounted Occupancy, On/Off MOS- Integral Microwave Sensor, On/Off MOSB-Integral Bi-Level Microwave Sensor MOSB-FM- Microwave Bi-Level Sensor Fixture mount	Accessories FW3 6' 3 Wire Fixture Whip FW4 6' 4 Wire Fixture Whip

Specifications and Dimensions subject to change without notice

Performance Summary

Input Voltage	120-277V
Input Frequency	50/60 Hz
Rated Wattage	See Performance Table
Delivered Lumens	See Performance Table
Efficac	> 100 lm/W
CRI	80+, R9 > 0
Available CCT¹	5000K
Color Consistency²	5-step MacAdam Ellipse
Rated Life	60,000 hours
L70³	> 72,000 hours or > 45,000
Power Factor	>0.99
THD	< 2.3%
Dimming	0-10V Continuous (10-100%)
Operating Temp.	-18°C to 40°C

Performance Data

Lens Type	Form Factor	Catalog No.	Rated Wattage (W)	Delivered Lumens	Efficacy (lm/W)
Frosted Acrylic	48"	LVTS-40-MV-850	40W	4,000	100
		LVTS-52-MVD-850	52W	5,200	100

NOTES:

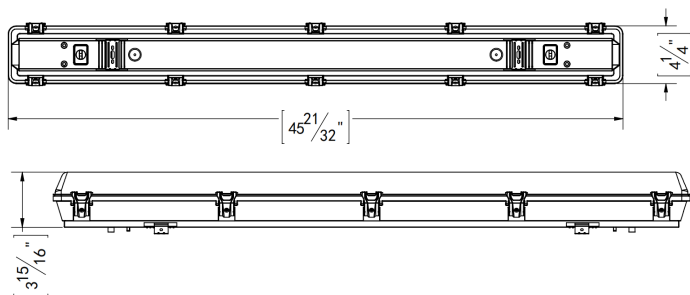
- ¹ Made to order items. Minimum 90 day lead time. Minimum 500 order quantity.
- ² DLC Listed
- ³ DLC Premium Listed
- ⁴ Quick ship: 5000K. Other CCTs may require a lead time or be special order
- ⁵ Typical color consistency. May vary or be changed.
- ⁶ L70 hours calculated based on LED package manufacturer LM80 report and ISTMT report of LED in luminaire. Stated values are for select catalog numbers. Contact GlobaLux for detailed information.
- ⁷ Actual performance may differ as a result of end-user environment and application. All values are design or typical values, measured under laboratory conditions at 25 °C.



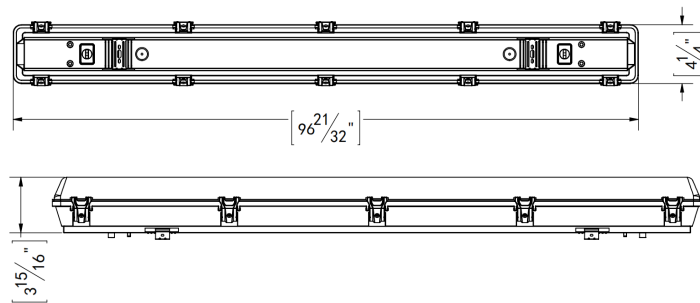
Specifications and Dimensions subject to change without notice

Product Dimensions

LVTS-40/52 (48" housing)



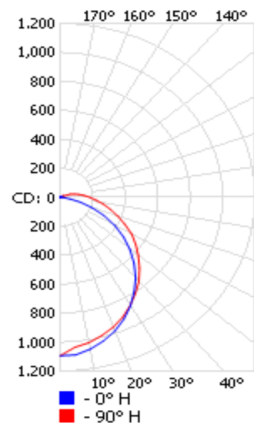
LVTS-68/104 (96" housing)



Photometric Data

LVTS-40-MV-850 Tested in accordance to IESNA LM-79

Polar Candela Curve



Zonal Lumen Summary

Zone	Lumens	% Lamp	% Luminaire
0-30	859.5	21.20%	21.20%
0-40	1,418.70	35%	35.10%
0-60	2,592.60	64%	64.10%
0-90	1,123.10	27.70%	27.70%
0-90	3,715.70	91.70%	91.80%

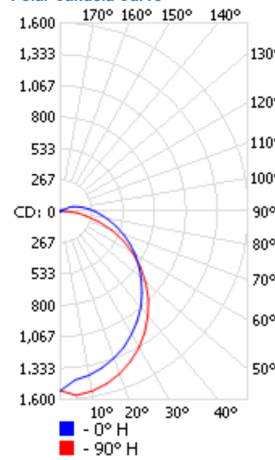
Coefficients of Utilization

RCC %:	80				70				50	
	70	50	30	0	70	50	30	0	50	30
RW %:	1.17	1.17	1.17	1.17	1.13	1.13	1.13	0.92	1.06	1.06
RCR: 0	1.04	0.99	0.94	0.89	1.01	0.96	0.91	0.73	0.9	0.86
1	0.94	0.85	0.77	0.71	0.91	0.82	0.75	0.6	0.77	0.71
2	0.85	0.74	0.65	0.58	0.82	0.72	0.63	0.5	0.67	0.6
3	0.78	0.65	0.56	0.48	0.75	0.63	0.54	0.42	0.59	0.52
4	0.71	0.58	0.48	0.41	0.69	0.56	0.47	0.37	0.53	0.45
5	0.66	0.52	0.42	0.36	0.63	0.5	0.42	0.32	0.48	0.4
6	0.61	0.47	0.38	0.31	0.59	0.46	0.37	0.28	0.43	0.36
7	0.57	0.43	0.34	0.28	0.55	0.42	0.33	0.25	0.4	0.32
8	0.53	0.39	0.31	0.25	0.51	0.38	0.3	0.23	0.36	0.29
9	0.49	0.36	0.28	0.23	0.48	0.35	0.27	0.21	0.34	0.27
10										

Photometric Data

LVTS-52-MVD-850 Tested in accordance to IESNA LM-79

Polar Candela Curve



Zonal Lumen Summary

Zone	Lumens	% Lamp	% Luminaire
0-30	1,202.00	21.40%	21.50%
0-40	1,982.00	35.40%	35.40%
0-60	3,603.30	64.30%	64.30%
60-90	1,537.30	27.40%	27.40%
0-90	5,140.60	91.70%	91.80%

Coefficients of Utilization

RCC %:	80				70				50	
	70	50	30	0	70	50	30	0	50	30
RW %:	1.17	1.17	1.17	1.17	1.13	1.13	1.13	0.92	1.06	1.06
RCR: 0	1.04	0.99	0.94	0.89	1.01	0.96	0.91	0.73	0.9	0.86
1	0.94	0.85	0.77	0.71	0.91	0.82	0.75	0.6	0.77	0.71
2	0.85	0.74	0.65	0.58	0.82	0.72	0.64	0.5	0.67	0.61
3	0.78	0.65	0.56	0.49	0.75	0.63	0.55	0.43	0.6	0.52
4	0.71	0.58	0.48	0.42	0.69	0.56	0.47	0.37	0.53	0.46
5	0.66	0.52	0.43	0.36	0.63	0.51	0.42	0.32	0.48	0.4
6	0.61	0.47	0.38	0.32	0.59	0.46	0.37	0.28	0.43	0.36
7	0.57	0.43	0.34	0.28	0.55	0.42	0.33	0.25	0.4	0.32
8	0.53	0.39	0.31	0.25	0.51	0.38	0.3	0.23	0.37	0.29
9	0.5	0.36	0.28	0.23	0.48	0.35	0.28	0.21	0.34	0.27
10										

Effective Floor Cavity Reflectance: 20%

Accessory Options



Whips

- CH-3.5 36 in Chain Hanger Kit
- FW3 6' 3 Wire Fixture Whip with 1/2 Connector. in
- FW3-BL 6' 3 Wire Fixture Whip with 1/2 Connector (Black)
- FW3-M 6' 3 Wire Fixture Whip with 1/2 Connector (Metal)
- FW312 12' 3 Wire Fixture Whip with 1/2 Connector. in
- FW4 6' 4 Wire Flex/Whip_
- RS Rocker Switch
- SM-22 2x2 Surface Mount Shroud Kit for RLP, LTF Seris Fixtures
- SM-24 2x4 Surface Mount Shroud Kit for RLP, LTF Series Fixtures



© 2019 GlobaLux Lighting, LLC. All rights reserved. For informational purposes only. Reproduction in whole or part is prohibited without prior written consent of the copyright owner. The information presented in this document does not form part of any quotation or contract, is believed to be accurate and reliable and may be changed without notice. No liability will be accepted by the publisher for any consequences of its use. GlobaLux Lighting reserves the rights make changes in specification at any time without notice.

GlobaLux Lighting LLC
 www.globaluxlighting.com
 2037 S. Vineyard Ave
 Ontario, CA 91761
 Ph: 909-591-7506