



Project	
Notes	
Type	Date
Cat. No.	



LDR Series

2x2 Housing
40W 3900 Lumens
26W 3100 Lumens
42W 5500 Lumens
2x4 Housing
52W 5200 Lumens

Rated Life 60,000 hours
Limited Warranty 5 Years
Efficacy 115 lm/W
Continuous Dimming



Quick Ship/ DLC Listed
LDR-22-40-MVD-840

LDR™ Series LED Door Retrofit

DESCRIPTION
The new Globalux LED LDR easily Retrofits existing 2x4 and 2x2 fluorescent troffers and parabolics to LED within minutes. The LDR adopts the latest in optical and LED technology for use in many commercial applications. The LDR provides a very pleasant volumetric soft light that fills any interior space giving it a larger, brighter, and more productive ambiance and will be the perfect fit for any commercial or institutional application. The LDR Series is fully dimmable and are compatible with building controls, motion sensors and daylight harvesting systems. The design of the LDR series panels produces an even, consistent shadow-less light. The LED's enable long life, high lumen maintenance and high CRI and are low maintenance and constructed without hazardous materials.



Specification Features

Construction
Rugged construction, solid die formed, cold-rolled steel housing. All surfaces powder coated after fabrication. Frosted acrylic diffuser provides even consistent light while reducing glare. lens design and materials provide uniform appearance without pixelation.

Qualifications
All luminaires are built to UL 1598 and 2108 standards, and bear appropriate ETL labels. Damp location labeling is standard. Emergency equipped fixtures labeled UL924. Adheres to LM70, LM80, and TM21 industry standards. DesignLights Consortium® (DLC) DLC qualified product. Not all models of this product may be DLC qualified. Please check the DLC Qualified Products List at www.designlights.org/QPL to confirm which models are qualified.

Electrical
Equipped standard with 0-10V continuous dimming driver that works with any standard 0-10V control/dimmer. Long-Life LED's 60,000 hours at L80 with projected life over 100,000 hours for reduced life cycle maintenance costs.

Installation
Mounting brackets adapt the LDR to fit nearly all existing Troffers.

Warranty
5-year Limited Warranty. See warranty documentation for more information.

Options
Optional On/Off or Bi-Level Motion sensor, high voltage transformers, emergency battery backups, whips and cords.

Ordering Information

Example:LDR-22-40-MVD-840

LDR	22	40	MVD	8	40
Series LDR LED Door Retrofit	Form Factor 22-2"x2"² 24- 2"x4"¹	Rated Wattage 2x2 Housing 30- 30W 3750 Lumens¹ 2x4 Housing 40- 40W 5000 Lumens²	Driver Type MV- 120-277V¹ MVD- 120-277V; 0-10V Dimming²	CRI 8 80+ CRI²	Color Temp 35 3500K¹ 40 4000K² 50 5000K¹
			Emergency Backup EML8 800lm EML16 1600lm	Controls MOS- Integral Microwave Sensor OS- Fixture Mounted Occupancy Sensor MOSB-Bi-Level Microwave Sensor	

Specifications and Dimensions subject to change without notice.

Performance Summary

Input Voltage	120-277V
Input Frequency	50/60 Hz
Rated Wattage	See Performance Table
Delivered Lumens	See Performance Table
Efficacy	> 111.48 lm/W
CRI	80+, R9 > 0
Available CCT ¹	4000K
Color Consistency ²	5-step MacAdam Ellipse
Rated Life	60,000 hours
L70 ³	> 72,000 hours or > 45,000 >
Power Factor	0.94
THD	< 2.3%
Dimming	0-10V Continuous (10-100%)
Operating Temp.	-18°C to 40°C

Performance Data

Lens Type	Form Factor	Catalog No.	Rated Wattage (W)	Delivered Lumens	Efficacy (lm/W)
Frosted Acrylic	2x2	LDR-22-30-MVD-840	30W	125	101.7
	2x4	LDR-24-52-MVD-840	40W	5000	111.48

NOTES:

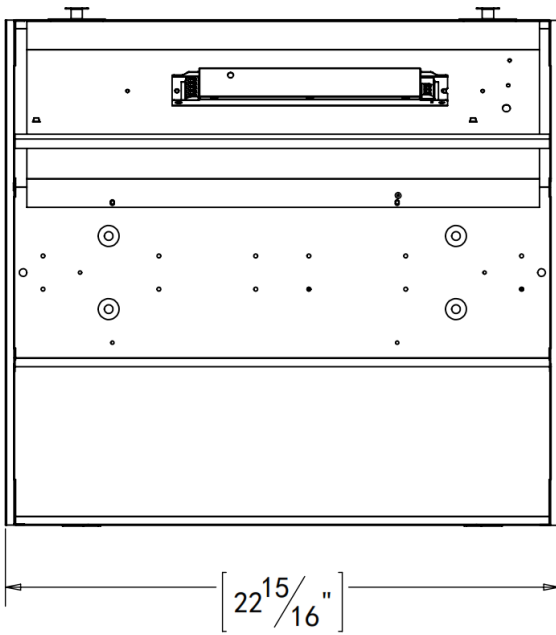
- ¹ Made to order items. Minimum 90 day lead time. Minimum 500 order quantity.
- ² DLC Listed
- ³ DLC Premium Listed
- ⁴ Quick ship: 4000K. Other CCTs may require a lead time or be special order
- ⁵ Typical color consistency. May vary or be changed.
- ⁶ Actual performance may differ as a result of end-user environment and application. All values are design or typical values, measured under laboratory conditions at 25 °C.

Specifications and Dimensions subject to change without notice.

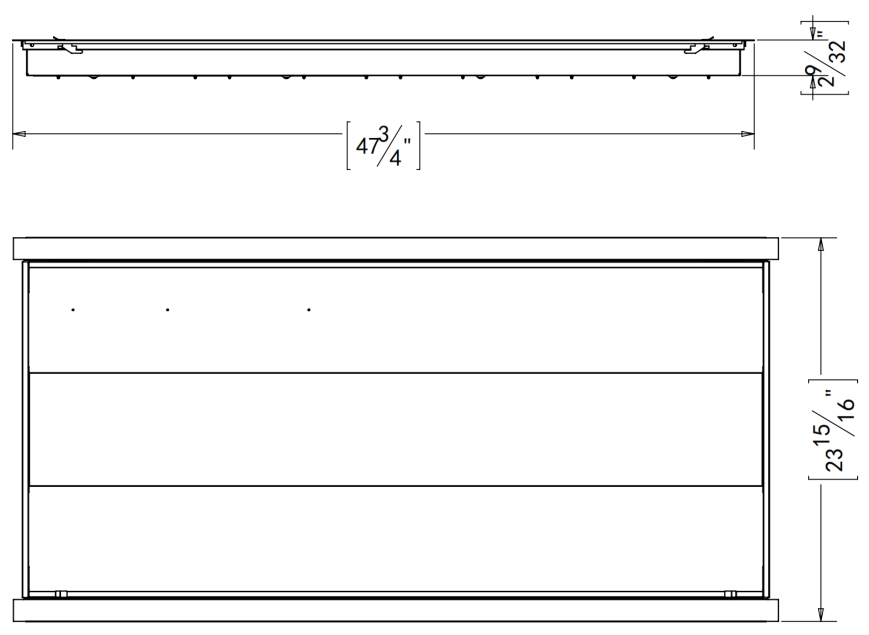


Product Dimensions

LDR-22



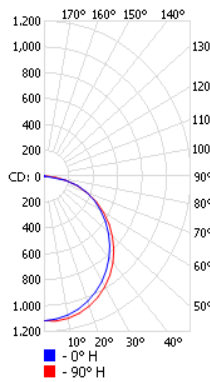
LDR-24



Photometric Data

LDR-22-40-MVD-840 Tested in accordance to IESNA LM-79

Polar Candela Curve



Lumen Zonal Summary

Zone	Lumens	% Lamp	% Luminaire
0-30	874.2	25.50%	25.50%
0-40	1,438.30	42%	42%
0-60	2,589.00	75.60%	75.60%
60-90	824	24%	24.10%
0-90	3,413.10	99.60%	99.70%

Coefficients of Utilization

Effective Floor Cavity Reflectance: 20%

RCC %:	80				70				50	
	70	50	30	0	70	50	30	0	50	30
RW %:	1.19	1.19	1.19	1.19	1.16	1.16	1.16	1	1.11	1.11
RCR: 0	1.19	1.19	1.19	1.19	1.16	1.16	1.16	1	1.11	1.11
1	1.08	1.03	0.98	0.94	1.05	1	0.96	0.83	0.96	0.93
2	0.98	0.89	0.82	0.76	0.95	0.87	0.8	0.69	0.83	0.78
3	0.89	0.78	0.69	0.63	0.86	0.76	0.68	0.58	0.73	0.66
4	0.81	0.69	0.6	0.53	0.79	0.67	0.59	0.5	0.65	0.57
5	0.74	0.61	0.52	0.45	0.72	0.6	0.51	0.43	0.58	0.5
6	0.69	0.55	0.46	0.39	0.67	0.54	0.45	0.38	0.52	0.44
7	0.64	0.5	0.41	0.35	0.62	0.49	0.4	0.33	0.47	0.4
8	0.59	0.45	0.37	0.31	0.58	0.45	0.36	0.3	0.43	0.36
9	0.55	0.42	0.33	0.28	0.54	0.41	0.33	0.27	0.4	0.32
10	0.52	0.38	0.3	0.25	0.5	0.38	0.3	0.24	0.37	0.3

Accessory Options



Whips

CH-3.5	36 in Chain Hanger Kit
FW3	6' 3 Wire Fixture Whip with 1/2 Connector. in
FW3-BL	6' 3 Wire Fixture Whip with 1/2 Connector (Black)
FW3-M	6' 3 Wire Fixture Whip with 1/2 Connector (Metal)
FW312	12' 3 Wire Fixture Whip with 1/2 Connector. in
FW4	6' 4 Wire Flex/Whip_
RS	Rocker Switch
SM-22	2x2 Surface Mount Shroud Kit for RLP, LTF Seris Fixtures
SM-24	2x4 Surface Mount Shroud Kit for RLP, LTF Series Fixtures

Globalux
LIGHTING

© 2019 Globalux Lighting, LLC. All rights reserved. For informational purposes only. Reproduction in whole or part is prohibited without prior written consent of the copyright owner. The information presented in this document does not form part of any quotation or contract, is believed to be accurate and reliable and may be changed without notice. No liability will be accepted by the publisher for any consequences of its use. Globalux Lighting reserves the rights make changes in specification at any time without notice.

Globalux Lighting LLC
www.globaluxlighting.com
2037 S. Vineyard Ave
Ontario, CA 91761
Ph: 909-591-7506