



Project	
Notes	
Type	Date
Cat. No.	

LCWP™ Series

LED Cutoff Wall Pack

DESCRIPTION

The LCWP family of LED wall packs combine high-performance LEDs, highly-engineered optics to traditional designs to bring you the most advanced line of wall packs on the market. Multiple lumen packages mean there is an LCWP that is just right for your lighting needs. The LCWP wall packs were designed and engineered as maintenance free, energy-efficient alternatives to traditional fluorescent, high pressure sodium and H.I.D. light sources.



LCWP Series

- 40W (4400 Lumens)
- 50W (5500 Lumens)
- 80W (8800 Lumens)

Specification Features



Construction

Rugged die cast aluminum housing withstands outdoor environments. Outer surface treated with durable power coating to provide resistant to corrosion, rust, weathering, and or degradation. Performance engineered internal heat dissipation fins provide superior thermal management for lens life and reliability.

Qualifications

All luminaires are built to UL 1598 and 2108 standards, and bear appropriate ETL labels. Damp location labeling is standard. Emergency equipped fixtures labeled UL924. Adheres to LM70, LM80, and TM21 industry standards. DesignLights Consortium® (DLC) DLC qualified product. Not all product variations listed are DLC qualified. Please visit the DLC Qualified Products List at www.designlights.org/QPL to confirm which models are qualified.

Electrical

Equipped standard with fixed output driver. Optional 0-10V continuous dimming driver that works with any standard 0-10V control/dimmer. Long-Life LED's 60,000 hours at L80 with projected life over 100,000 hours for reduced life cycle maintenance costs.

Installation

Luminaire mounting designed for standard J-Box. Features multiple conduit entries.

Warranty

5-year limited warranty. See complete warranty for terms and exclusions. (Labor not included).

Options

Optional On/Off or Bi-level Motion sensor, high voltage transformers, emergency battery backups, whips and cords.

Rated Life 60,000 hours
 Limited Warranty 5 Years
 Efficacy 141 lm/W

Quick Ship

Made to order

Ordering Information

Example: LCWP-40-MV-850-P

LCWP	40	MV	8	50		
Series LCWP LED Cutoff Wall Pack	Rated Wattage 40-40W (4400 Lumens) ¹ 50- 50W (5500 Lumens) ² 80- 80W (8800 Lumens) ²	Driver Type MV- 120-277V ² MVD- 120-277V, 0-10V Dimming ^{1 2} HVD- 347-480V, 0-10V Dimming HV- 347-480V	CRI 8 80+ CRI	Color Temp 50 5000K ²		
			Emergency Backup EML8 800lm EML16 1600lm	Controls MOS- Microwave Sensor MOSB-Bi-Level Microwave Sensor OSBL-WP- Fixture Mounted Bi-Level Occupancy Sensor	Accessories P-Photocell	

Specifications and Dimensions subject to change without notice.

Performance Summary

Input Voltage	120-277V
Input Frequency	50/60 Hz
Rated Wattage	See Performance Table
Delivered Lumens	See Performance Table
Efficacy	> 110 lm/W
CRI	80+, R9 > 0
Available CCT ¹	5000K
Color Consistency ²	5-step MacAdam Ellipse
Rated Life	60,000 hours
L70 ³	> 72,000 hours or > 45,000
Power Factor	>0.99
THD	< 2.3%
Dimming	0-10V Continuous (10-100%)
Operating Temp.	-18°C to 40°C

Performance Data

Lens Type	Form Factor	Catalog No.	Rated Wattage (W)	Delivered Lumens	Efficacy (lm/W)
Frosted Acrylic		LCWP-40-MV-850	40W	4400	110
		LCWP-50-MV-850	50W	5500	110
		LCWP-80-MV-850	80W	8800	110

NOTES:

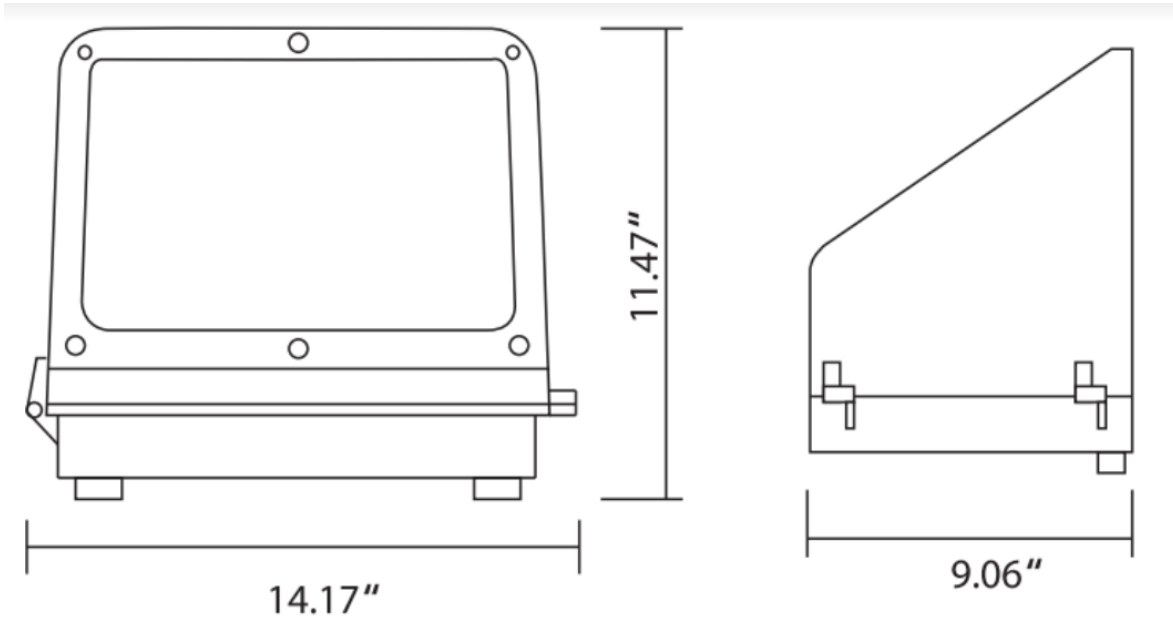
- ¹ Made to order items. Minimum 90 day lead time. Minimum 500 order quantity.
- ² DLC Listed
- ³ DLC Premium Listed
- ⁴ Quick ship: 5000K. Other CCTs may require a lead time or be special order
- ⁵ Typical color consistency. May vary or be changed.
- ⁶ L70 hours calculated based on LED package manufacturer LM80 report and ISTMT report of LED in luminaire. Stated values are for select catalog numbers. Contact GlobaLux for detailed information.
- ⁷ Actual performance may differ as a result of end-user environment and application. All values are design or typical values, measured under laboratory conditions at 25 °C.



Specifications and Dimensions subject to change without notice.

Product Dimensions

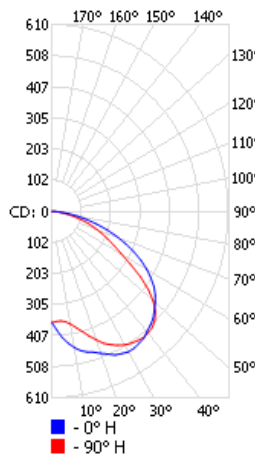
LTF-22



Photometric Data

LCWP-40-MV-850 Tested in accordance to IESNA LM-79

Polar Candela Curve



Zonal Lumen Summary

Zone	Lumens	% Luminaire
0-30	315.8	24%
0-40	547	41.60%
0-60	1,028.60	78.30%
60-90	284.8	21.70%
0-90	1,313.50	100%

Coefficients of Utilization

RCC %:	80				70				50			
	RW %:	70	50	30	0	70	50	30	0	50	30	
RCR: 0	1.19	1.19	1.19	1.19	1.16	1.16	1.16	1	1.11	1.11		
1	1.09	1.04	0.99	0.95	1.06	1.01	0.97	0.84	0.97	0.94		
2	0.98	0.9	0.83	0.77	0.96	0.88	0.82	0.7	0.84	0.79		
3	0.89	0.79	0.7	0.63	0.87	0.77	0.69	0.59	0.74	0.67		
4	0.82	0.69	0.6	0.53	0.79	0.68	0.59	0.5	0.65	0.58		
5	0.75	0.61	0.52	0.45	0.73	0.6	0.52	0.43	0.58	0.5		
6	0.69	0.55	0.46	0.39	0.67	0.54	0.45	0.38	0.52	0.44		
7	0.64	0.5	0.41	0.34	0.62	0.49	0.4	0.33	0.47	0.4		
8	0.59	0.45	0.36	0.3	0.57	0.44	0.36	0.3	0.43	0.35		
9	0.55	0.41	0.33	0.27	0.54	0.41	0.33	0.26	0.39	0.32		
10	0.51	0.38	0.3	0.24	0.5	0.37	0.3	0.24	0.36	0.29		

Effective Floor Cavity Reflectance: 20%

