

Talos | EVERY FIELD HAS
ITS MASTER

T-CAPSULE

(Commercial Dispenser for 10L Talos Keg)



American Talos Inc.

16839 Gale Ave City Of Industry CA 91745 | Tel:(626) 923-9266 | Email:info@talos-usa.com

Supplier of Draft Beer Dispensing Equipment and System Solutions

Talos
www.talosusa.com

Contents

Summary -----	2
1. Safety Precautions -----	3
2. Storage and Transportation Instructions -----	4
3. Unpacking Inspection -----	4
4. Installation and Operation Instructions -----	5
4.1 System Components -----	5
4.2 Product Instructions -----	5
4.3 Power on Operation -----	6
4.3.1 Unpack -----	6
4.3.2 Connect Power and Install Drip Tray -----	6
4.3.3 Turn on the Power Switch -----	7
4.3.4 Start Switch on -----	7
4.4 LED Light Switch -----	8
4.5 Operating Instructions -----	8
4.6 Replace the Keg -----	11
4.7 Collect the Keg -----	12
4.8 Remove the Left and Right Side Panels -----	12
5. Technical Parameter -----	13
5.1 Performance and Shape Parameters -----	13
5.2 Working Principle -----	14
6. Repair and Maintenance -----	15
7. Fault Identification and Troubleshooting -----	16
8. Packing List -----	16

OVERVIEW

This instruction manual is an important part of the product, Please keep the product manual properly.

Please read this manual carefully before installation, use and maintain the equipment correctly, it's Talos Capsule-10L Commercial Dispenser, it can only be used for designated purposes.

The manufacturer does not assume any responsibility for any losses caused by incorrect installation or irregular use.

In order to better serve customers, Talos will continue to develop more models, while continuously optimizing and upgrading products, the quality may slightly improve the appearance and component details. If there are differences, we will not notify you separately. There is no obligation and responsibility.

If you have any questions, please contact the Talos manufacturer, service call:+86 576 87498132

1. Safety Cautions



Do not use multiple power strips, which may cause overheating or fire.



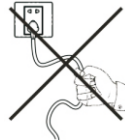
Do not place heavy objects on the wires.



There should be no foreign matter or wire entanglement on the wire.



Do not operate the power plug with wet hand.



When unplugging the power plug, please hold the plug body and pull it out, not pull out the plug by the power cord, otherwise the power cord may be damaged.

- ①The power supply voltage must be kept within the rated voltage range required on the machine nameplate, If it exceeds this power The pressure range may cause smoke, fire, mechanical failure or inoperability.
- ②The electrical power supply must be entrusted to a professional company or personnel to construct according to the rated voltage of the machine.
- ③Please use a socket that can be connected to the ground terminal, and make sure that the ground wire on the side of the socket is well connected.
- ④The socket must meet or exceed the rated current requirement of the machine.
- ⑤When installing, make sure that the wires cannot be pressed by the machine or by heavy objects. It can't be entangled by other objects.
- ⑥This appliance is not intended for use by persons (including children) with reduced physical, sensory or mental capabilities, or lack of experience and knowledge, unless they have been given supervision or instruction concerning use of the appliance by a person responsible for their safety.
Children should be supervised to ensure that they do not play with the appliance.

- ⑦ This appliance can be used by children aged from 8 years and above and persons with reduced physical, sensory or mental capabilities or lack of experience and knowledge if they have been given supervision or instruction concerning use of the appliance in a safe way and understand the hazards involved. Children shall not play with the appliance. Cleaning and user maintenance shall not be made by children without supervision.

Children aged from 3 to 8 years are allowed to load and unload refrigerating appliances.

- ⑧ If the supply cord is damaged, it must be replaced by the manufacturer, its service agent or similarly qualified persons in order to avoid a hazard.
- ⑨WARNING: Keep ventilation openings, in the appliance enclosure or in the built-in structure, clear of obstruction.
 - WARNING: Do not use mechanical devices or other means to accelerate the defrosting process, other than those recommended by the manufacturer.
 - WARNING: Do not damage the refrigerant circuit.
 - WARNING: Do not use electrical appliances inside the food storage compartments of the appliance, unless they are of the type recommended by the manufacturer.
 - WARNING: When positioning the appliance, ensure the supply cord is not trapped or damaged.
 - WARNING: Do not locate multiple portable socket-outlets or portable power supplies at the rear of the appliance.
- ⑩ Do not store explosive substances such as aerosol cans with a flammable propellant in this appliance.
- ⑪ This appliance is intended to be used in household and similar applications such as

- staff kitchen areas in shops, offices and other working environments;
- farm houses and by clients in hotels, motels and other residential type environments;
- bed and breakfast type environments;
- catering and similar non-retail applications.



⑫ Warning: Risk of fire/flammable materials

⑬ the maximum rated wattage of lamps, in watts (not applicable if the lamps can only be replaced by the manufacturer, together with a part of the appliance).

⑭ The device is not used to store food.

⊘ Refrigerant and cyclopentane foaming material used for the refrigerator are flammable. Therefore, when the refrigerator is scraped, it shall be kept away from any fire source and be recovered by a special recovering company with corresponding qualification other than be disposed by combustion, so as to prevent damage to the environment or any other harm.

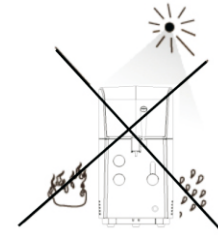
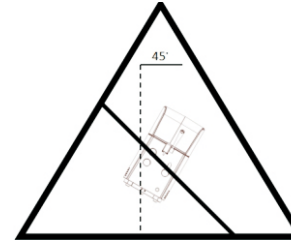
⚠ When the refrigerator is scraped, disassemble the doors, and remove gasket of door and shelves; put the doors and shelves in a proper place, so as to prevent trapping of any chill.



Correct Disposal of this product:

This marking indicates that this product should not be disposed with other household wastes throughout the EU. To prevent possible harm to the environment or human health from uncontrolled waste disposal, recycle it responsibly to promote the sustainable reuse of material resources. To return your used device, please use the return and collection systems or contact the retailer where the product was purchased. They can take this product for environmental safe recycling.

2. Storage instructions



keep away from heat sources and avoid direct sunlight. do not work in humid environment.

- ① Pack the machine in a professional carton before shipping.
- ② Place the boxes packed in cartons horizontally and evenly on the vehicle. And fix it well to prevent vehicles from driving, the box collides, falls, rolls over and tilts.
- ③ Wear gloves during transportation, hold the bottom plate, and move the machine. Try to keep the cabinet upright, not tilted more than 45°, and avoid placing it horizontally or upside down.
- ④ Store the machine on a flat table, the indoor temperature should be within +41°F ~ +104°F. Make sure no acidic, alkaline or gaseous fume in the air.

3. Unpacking Inspection

Check the machine after unpacking it.

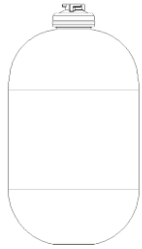
- ① If the outer packaging is severely damaged, reject it or contact us, please.
- ② Do not cut the knife too deep into the carton when cutting, to avoid scratching the appearance of the product.
- ③ If the appearance of machine is damaged at the factory or during transportation, contact us for processing, please.
- ④ Count the number of products, if there is any missing, contact us, please.

4. Installation and operation instructions

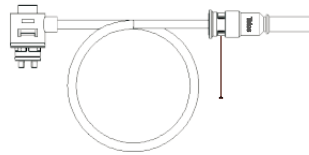
4.1 Components (to be purchased separately)

WARM PROMPT

Precool the keg for 6-8 hours at a refrigerated temperature below 39.2°F

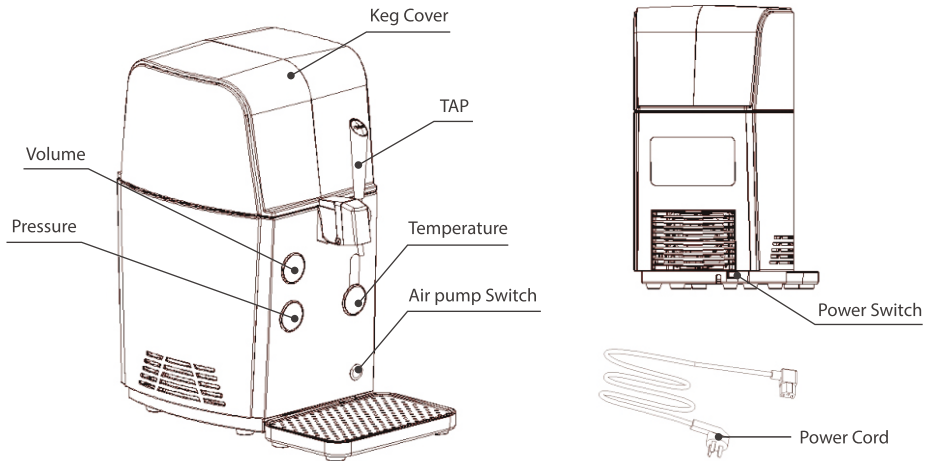


10L TALOS KEG



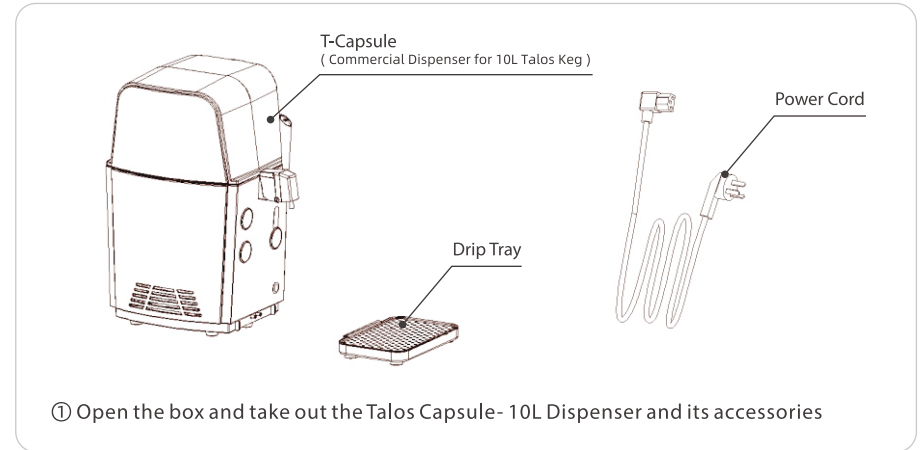
Disposable Beer Tube

4.2 Product Introduction

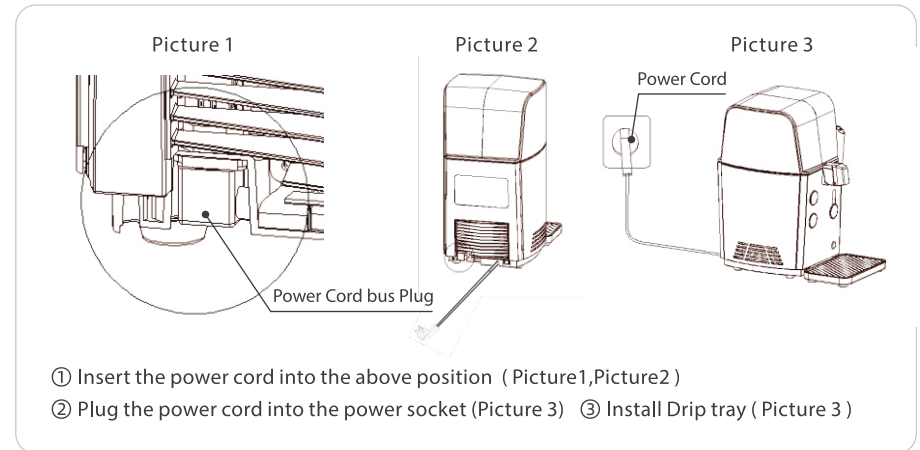


4.3 Starting Up instructions

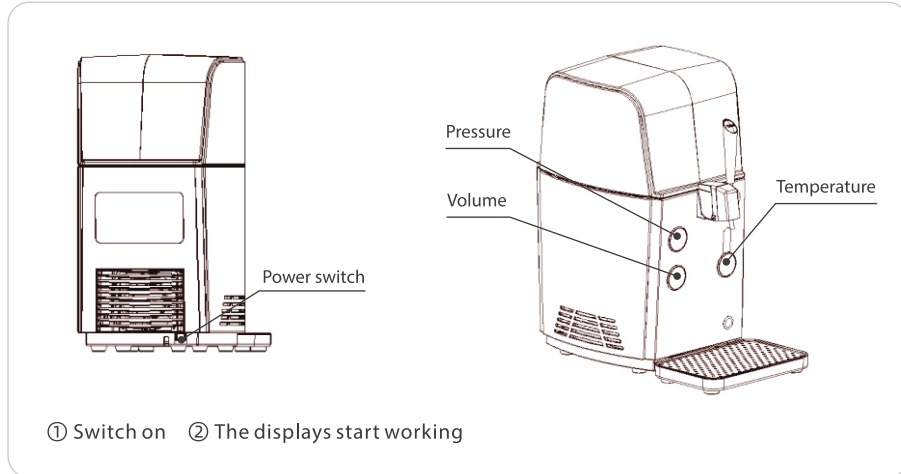
4.3.1 Open the Box



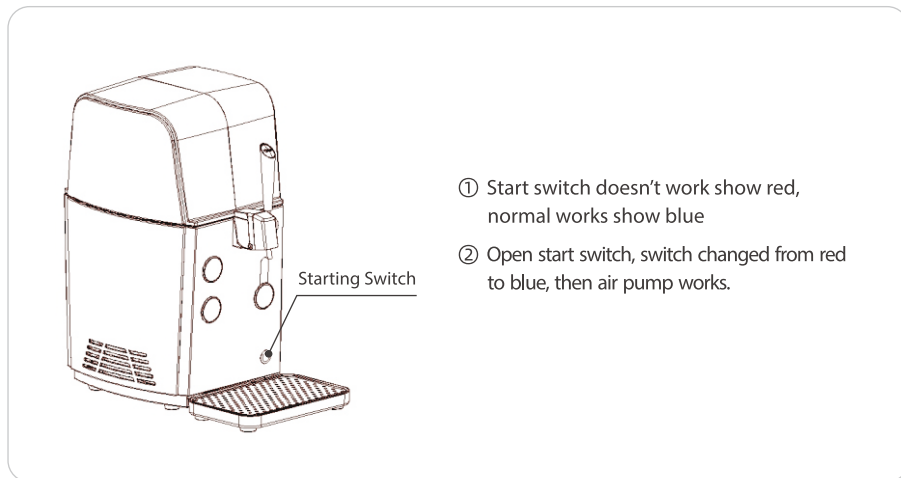
4.3.2 Connect the power and install the drip tray



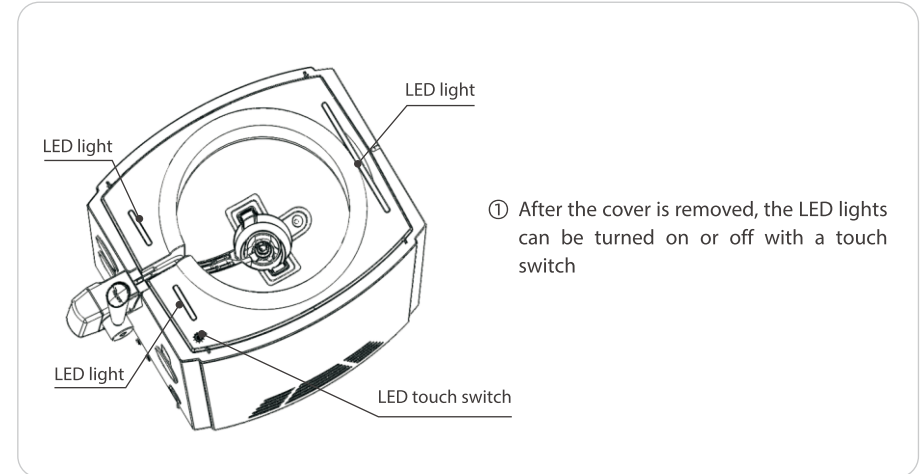
4.3.3 Power Starting Up



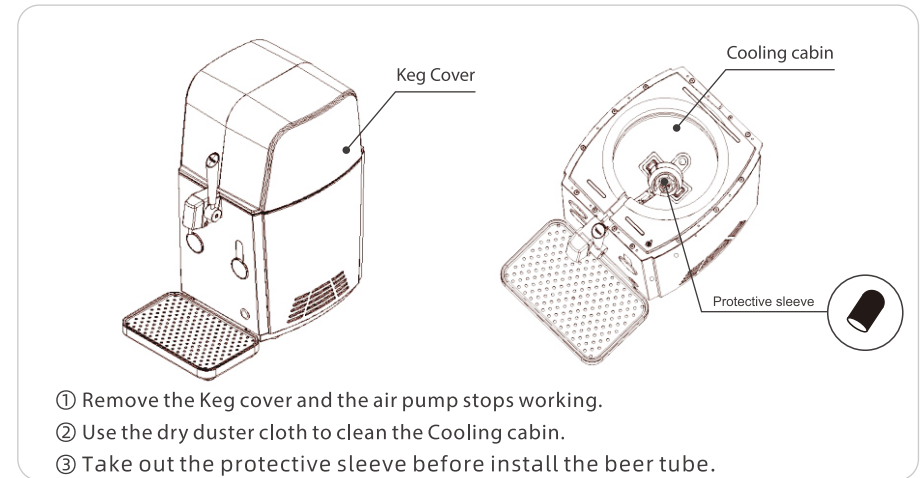
4.3.4 Power Starting Up

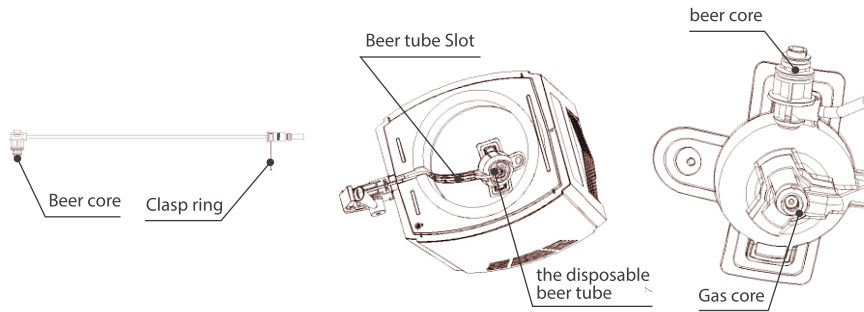


4.4 LED Switch

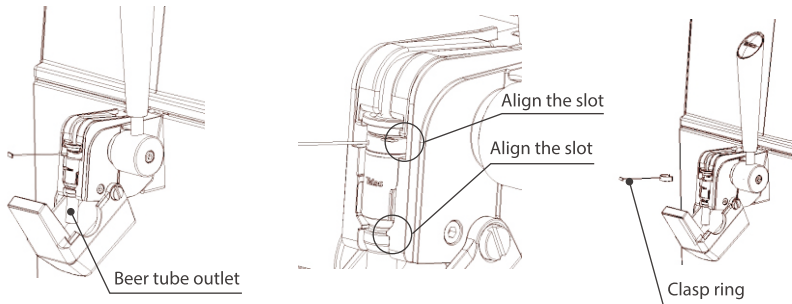


4.5 Operation Instructions

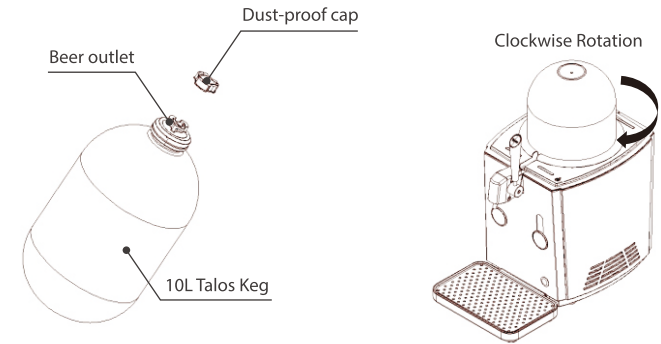




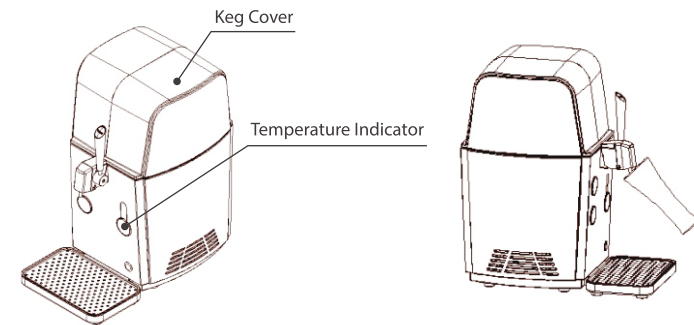
- ① Remove the disposable beer tube
- ② Align the beer outlet core with Gas inlet core, and then install to the Cooling tank's internal fixing seat (beer outlet core need to be pressed and Rotated to align with the beer tube slot; Pay attention to the direction(beer outlet core with O ring need to be upwards) when in installation)
- ③ Straighten the beer tube and then pressed it into the beer tube slot



- ① Install the disposable beer tube into the tap slot, pay attention to the aligned slot
- ② Remove the clasp ring from the disposable beer tube
- ③ Close the tap cover

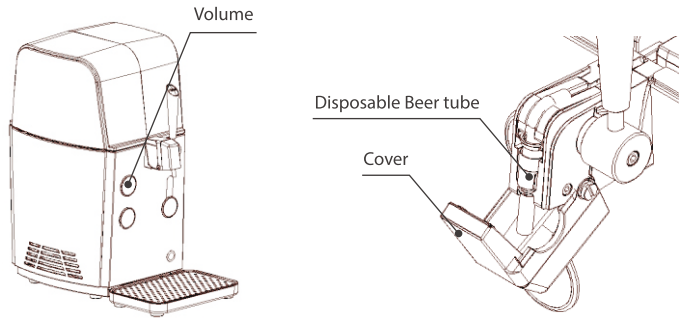


- ① Take 1pc of 10L TALOS KEG, open dust-proof cap (Keg have to be pre-cooled over 4 hours)
- ② Disinfect the keg head with alcohol
- ③ Connect with keg spear with disposable beer tube core. Then turn clockwise and press keg cover

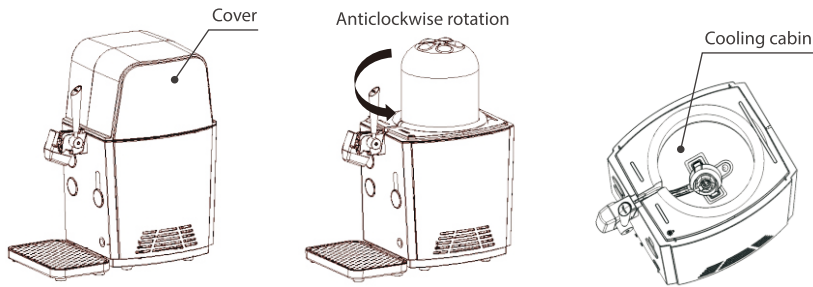


- ① Cover the drum and wait for cooling to finish
- ② After the cooling is completed, the glass tilts 45° when tapping, so the beer tapping through glass wall or will cause too much foam.

4.6 Replace Talos keg

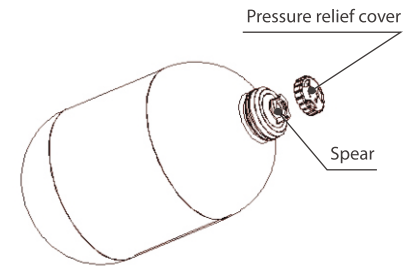


① Replace the keg when it is unable to tap, open the cover, remove the disposable tube



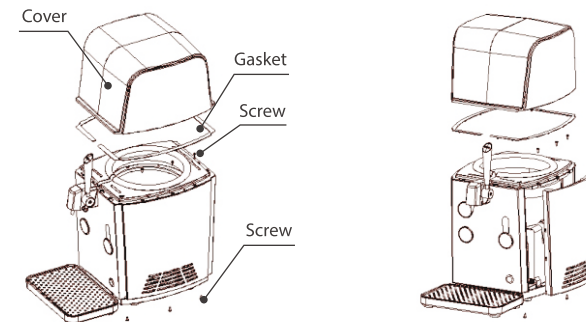
- ① Open the cover.
- ② Rotated counter clockwise and lifted upward the keg , remove the beer tube.
- ③ Clean the cooling tank after keg removed.

4.7 Recycling



- ① Use the pressure relief cover to press the spear to exhaust the pressure in the keg
- ② Squash the keg and throw it in the recycling bin

4.8 Panel disassembly



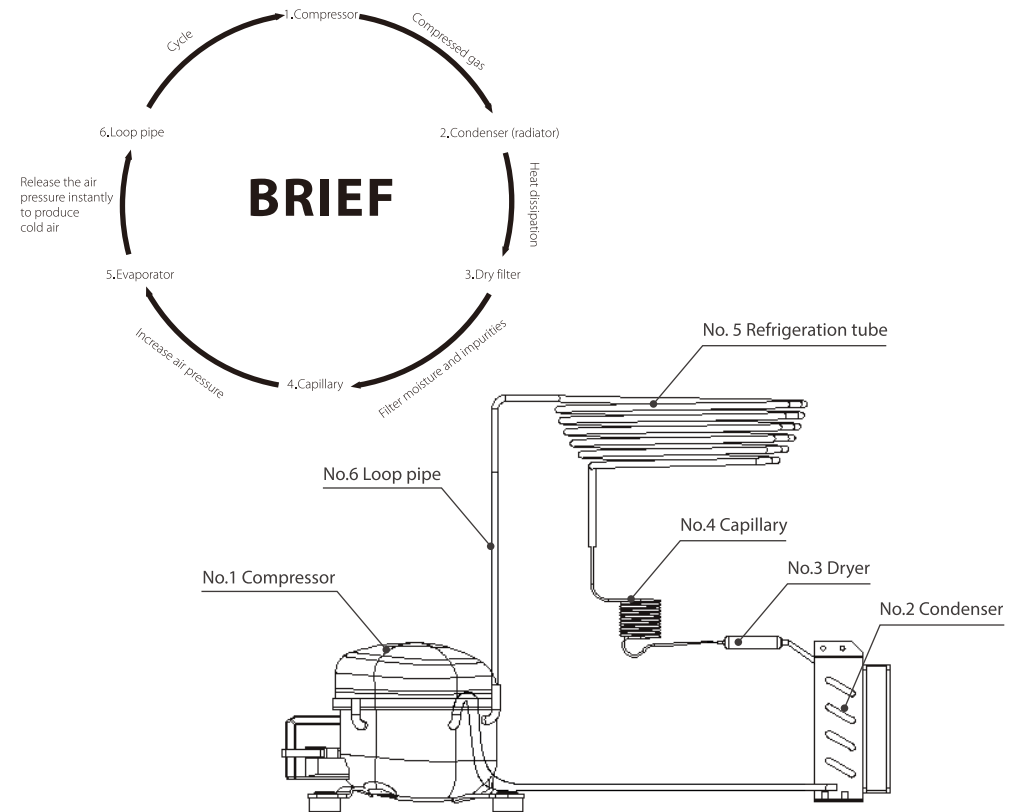
- ① Take down the cover ② Take down the gasket
- ③ Take down the screws
- ④ Take out the side panels (The two side plates are taken out in the same way)

5. Technical parameter

5.1 Performance and appearance parameters

Product Name	T-Capsule (Commercial Dispenser for 10L Talos Keg)	
Part No.	Y35J1-1081051	
Cooling System	Direct cooling	
MAX TAP	1	
Outlet temperature (°F)	37.4-50	
Continuous capacity (L)	10	
Work pressure (psi)	14.5 Start	26.1 Stop
Refrigeration (°F)	41 Start	32 Stop
Voltage (V)	110-120V	
Frequency (Hz)	60	
Current (A)	1	
Power (W)	120	
Compressor (Hp)	1/15	
Refrigerant (OZ)	R600a(1.06 OZ)	
Demesions (in)	12-3/8"x17-1/8"x23-1/8"	
Net weight (lb)	32	

5.2 Working principle

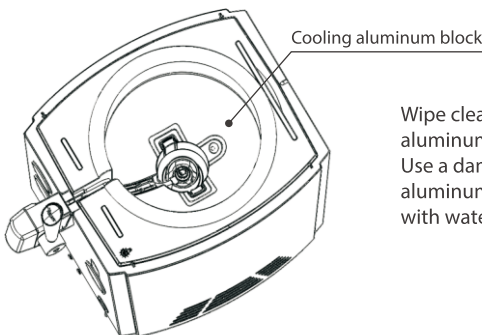


Working principle: The refrigerant is compressed by the No. 1 compressor, enters the No. 2 condenser to cool down, enters the No. 3 filter drier for filtration and drying, pressurizes through the No. 4 capillary, and then enters the No. 5 refrigeration tube to generate cold air, and enters 6. No. loop pipe to the compressor for recirculation.

6. Maintenance method

(Note: Turn off the switch and unplug the power plug for all operations)

6.1 Cooling cabin maintenance



Wipe clean the water drops on the cooling aluminum block before replacing the keg. Use a damp cloth to wipe the cooling aluminum block, and it is forbidden to rinse with water.

6.2 Maintenance of shell and drip tray



Use a wet towel to wipe off the stains on the shell, and then use a dry towel to dry the water.



Take out the cover of drip tray, pour out the beer, clean the drip tray and the cover, and put it back in place.

7. Fault identification and troubleshooting

No.	Unusual Phenomenon	Cause Analysis	Solutions	Remarks
1	Air pump doesn't work	Pump is not switched on	Switch on the pump.	
		Pump is broken	Contact the service provider for repairs.	
2	Air pump doesn't stop	Keg is not installed properly	Reinstall the keg properly.	
		Gas-in spool is leaking	Replace the o-ring on gas-in spool.	
3	Tap can't be turned off	Beer tube can't be closed	Reinstall the tube inside the tap properly, Or replace the tube if it is damaged.	
4	Beer can't be poured	Beer tube is not installed on the keg properly.	Reinstall the tube on the keg properly.	
		Beer tube is not installed Inside the tap properly	Reinstall the tube inside the tap properly.	
		Beer tube is stuck	Try to get the tube working, or replace the tube.	
5	Beer can't be controlled by the tap	Beer tube is not installed Inside the tap properly	Reinstall the tube inside the tap properly.	
6	Keg can't be took out	Keg is not rotated into Place before taking out	Rotate the keg into place and lift it upwards.	

8. Packing information

Name	Unit	Quantity	Remarks
Talos Caspsule	Pc	1	with power and drip tray
Warranty Card\ Quality Certificate	Copy	1	
Operating Instructions	Copy	1	
Accessories (O-ring)	Set	3	