

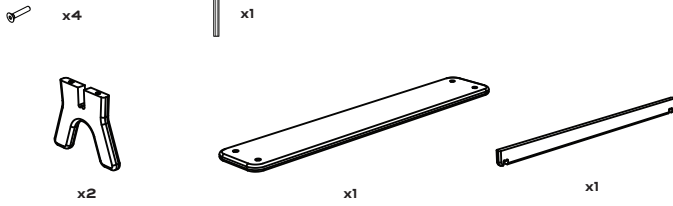


ASSEMBLING THE BEAM

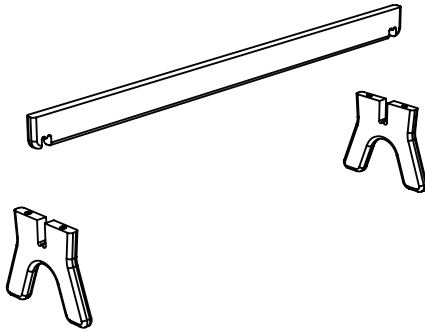
REV B

Average Assembly Time: 5min

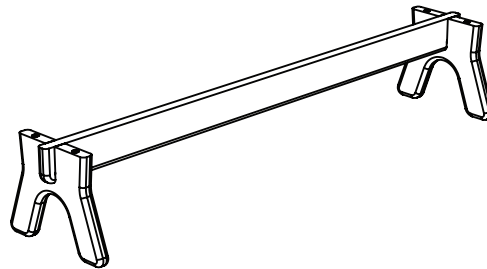
Building Tip – when assembling each component, set all screws in by hand, and then proceed to tighten with the hex key provided.



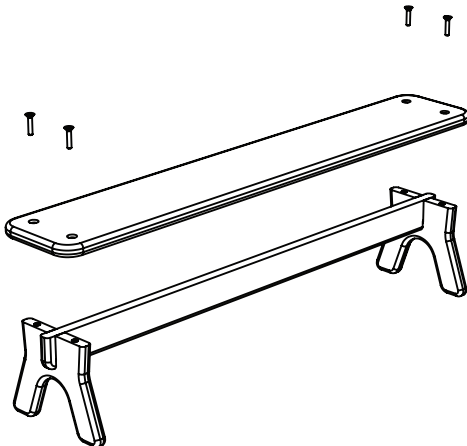
STEP 1



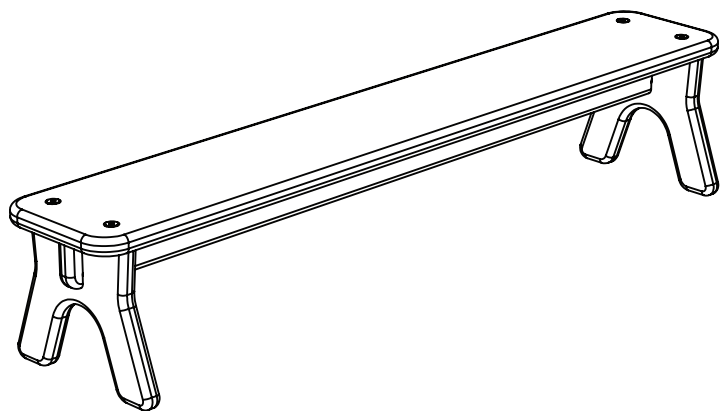
STEP 2



STEP 3



PLAY TIME



DISCLAIMER – Users understand that the PlayBox is strictly use at your own risk, and All Circles Inc. will not be held responsible for serious or fatal injuries that occur on or as a result of the PlayBox.

Observing the following statements and warnings reduces the likelihood of serious or fatal injury. On-site adult supervision is recommended at all times for children of all ages.

THIS PRODUCT IS INTENDED FOR USE BY CHILDREN FROM AGES 1 TO 5 AND IS DESIGNED TO ASTM STANDARDS.

WARNING – do not adjust or reconfigure the play structure while in use. This may result in injury by free fall, or by contact with the moving structure.

WARNING – do not allow children to wear inappropriate items, such as but not limited to, loose fitting clothing, hood and neck drawstrings, scarves, cord-connected items, capes and ponchos. These items can cause death by strangulation.

WARNING – Do not attach items to the PlayBeam that are not specifically designed for use with the equipment, such as, but not limited to, jump ropes, clothesline, pet leashes, cables and chain as they may cause a strangulation hazard.

WARNING – Not intended to be used above hard surfaces like concrete, tile or hardwood. Falling from the PlayBeam onto a hard surface may result in injury. Suggested use would be over a carpet, or protective play mat.

WARNING – Not intended to be used on smooth surfaces like tile or hardwood. The PlayBeam may shift or move causing an unstable condition that may result in injury by fall.