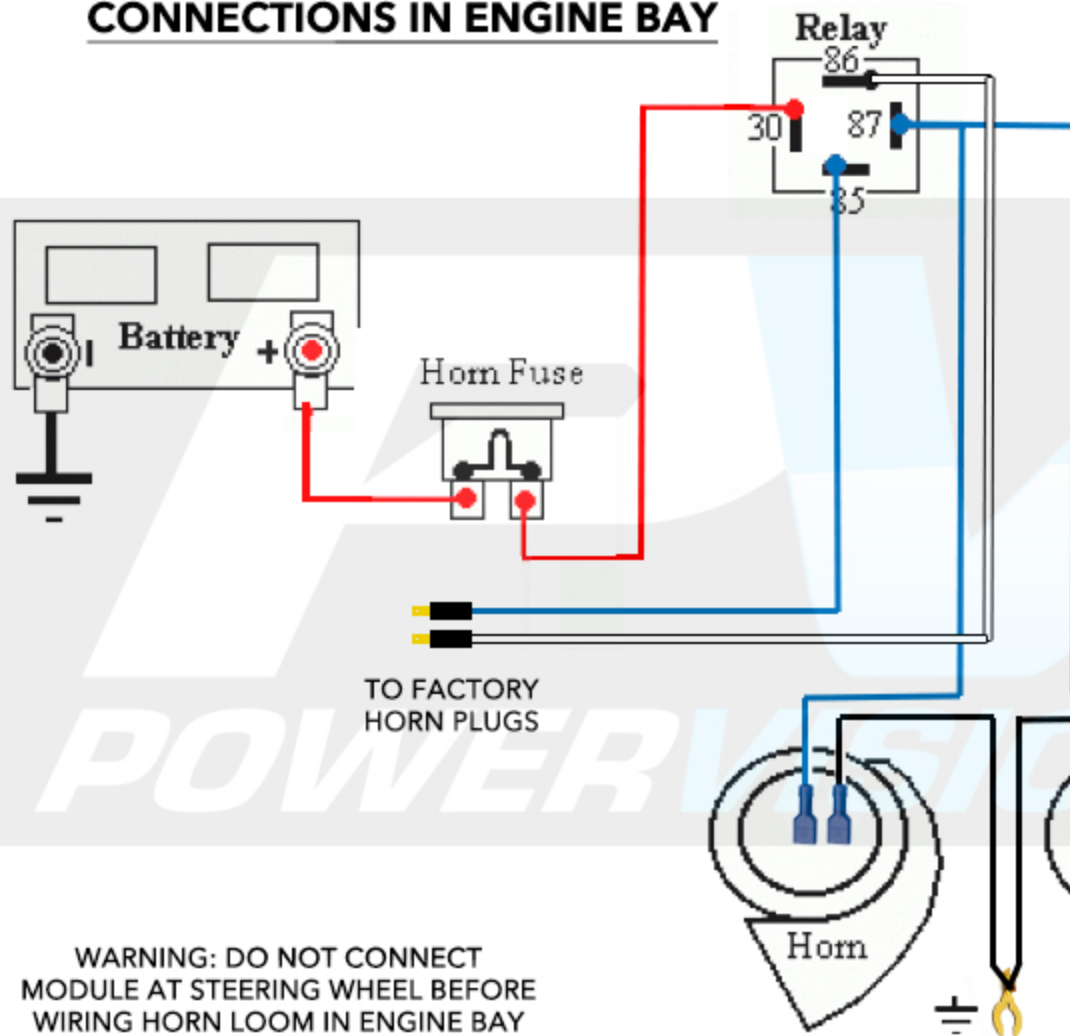


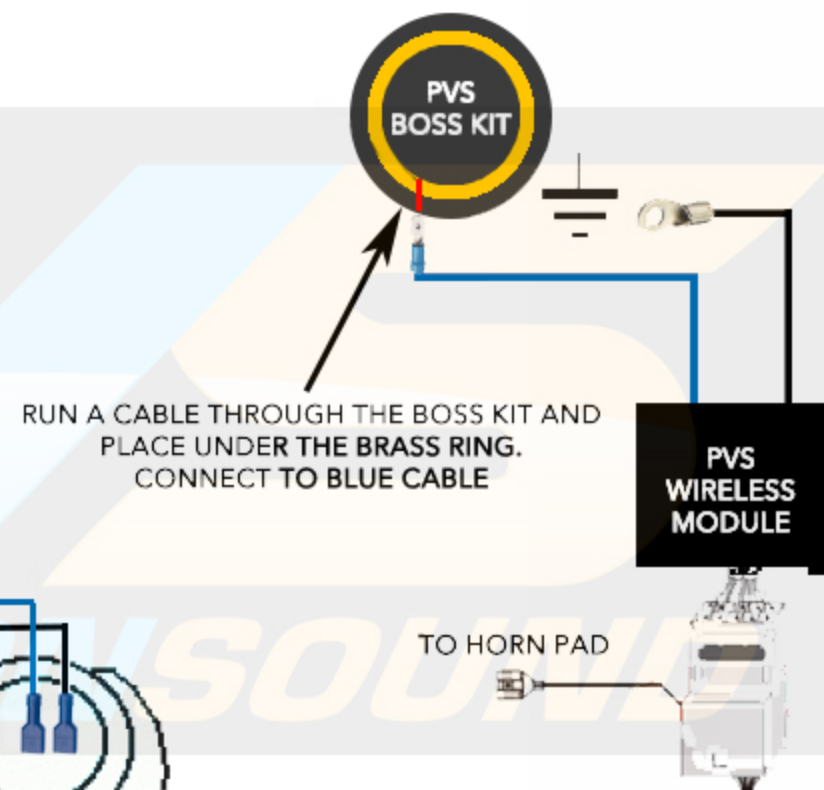
OLD DASH WIRELESS STEERING WHEEL DIAGRAM



CONNECTIONS IN ENGINE BAY



CONNECTIONS IN STEERING WHEEL



WARNING: DO NOT CONNECT MODULE AT STEERING WHEEL BEFORE WIRING HORN LOOM IN ENGINE BAY

PRE-AIRBAG MODEL STEERING WHEEL DIAGRAM