

Z A E R O

D E S I G N

EVO-1 SIDE SKIRT EXTENSIONS FOR BMW 1 SERIES F20 | F21

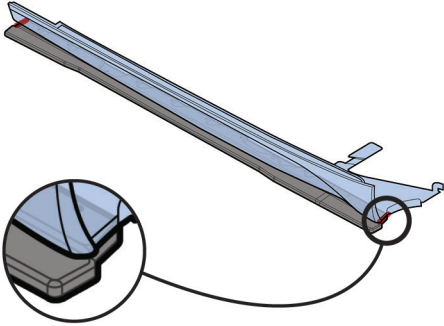
INSTALLATION MANUAL

EVO-1 SIDE SKIRT EXTENSION FOR BMW 1 SERIES F20 | F21

①

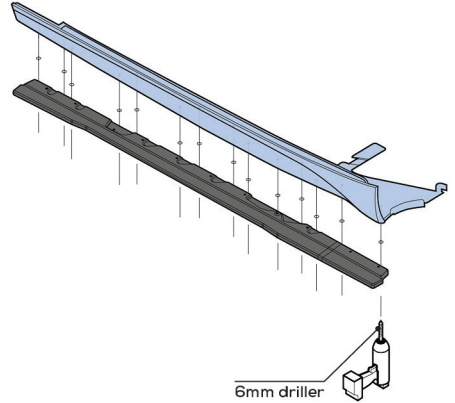
TEST FITTING

Align the side skirt extensions on the OEM side skirts so that the edges end at the same distance from the OEM side skirts towards the wheels on both sides.



PRE DRILLING THE HOLES

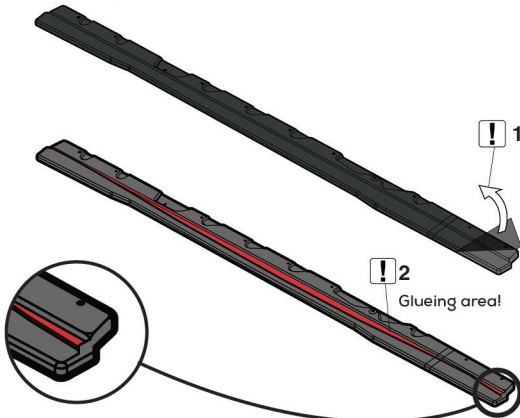
With the side skirt extensions in the correct position, you have to drill the holes through the OEM side skirts with a 6mm drill.



CLEANING THE SURFACE & REMOVING PROTECTION FILM OF THE EXTENSION ③

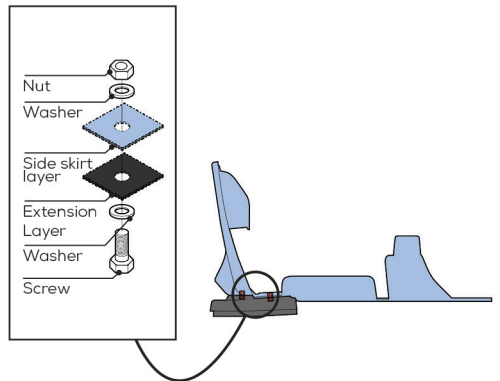
1- Please clean the OEM side skirts and make sure that they are free of grease. You can now take off the protection film on the side skirt extensions.

2- Apply the polyethylene glue to the areas of the side skirt extensions as shown below and position the side skirt extensions on the OEM side skirts - make sure the glue spreads evenly.



APPLYING THE SIDE SKIRT EXTENSIONS ④

Use the screws to fix the side skirt extensions on the OEM side skirts by the pre-drilled holes - secure the screws by adding the nuts. Please make sure to use a washer on both sides.



The glue must dry at least 12 hours before driving. We recommend in addition fixing the splitter with tape for this time to keep in position, to get a perfect result.