



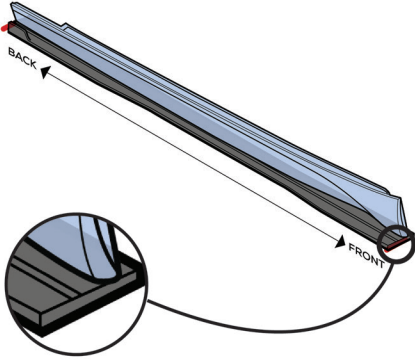
**SIDE SKIRT EXTENSION
FOR HYUNDAI i30N HATCHBACK**
INSTALLATION MANUAL

SIDE SKIRT EXTENSION FOR HYUNDAI i30N HATCHBACK

①

TEST FITTING

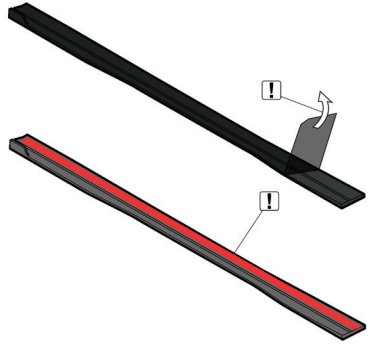
Align the side skirt extensions on the OEM side skirts so that the edges end at the same distance from the OEM side skirts towards the wheels on both sides.



②

CLEANING THE SURFACE & REMOVING PROTECTION FILM OF THE EXTENSION

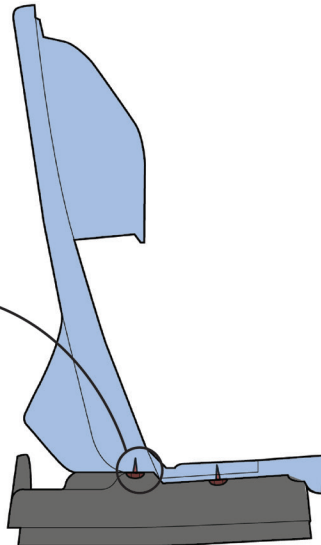
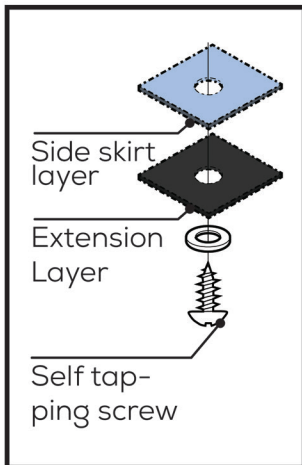
1- Please clean the OEM side skirts and make sure that they are free of grease. You can now take off the protection film on the side skirt extensions.
2- Apply the polyethylene glue to the areas of the side skirt extensions as shown below and position the side skirt extensions on the OEM side skirts - make sure the glue spreads evenly.



APPLYING THE SIDE SKIRT EXTENSIONS

Bring the side skirt extensions back in the correct position as described on Point 1. Make sure that the glue spreads evenly and hold the side skirt extensions in position. Use the self-taping screws to fix the side skirt extensions on the OEM bumper.

③



The glue must dry at least 12 hours before driving. We recommend in addition fixing the splitter with tape for this time to keep in position, to get a perfect result.