

ZAERO
D E S I G N

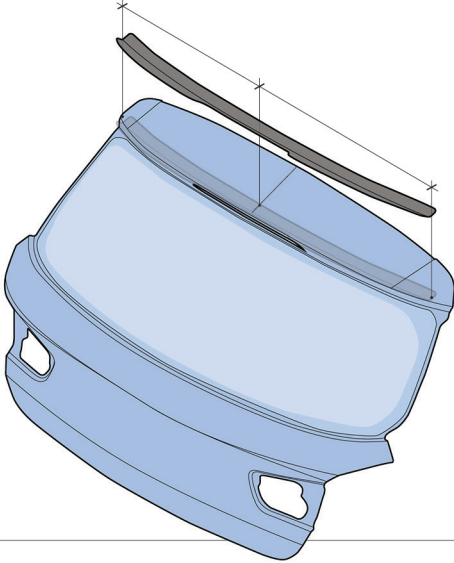
**EVO-1 REAR SPOILER
FOR BMW 1 SERIES F20 | F21**

INSTALLATION MANUAL

EVO-1 REAR SPOILER FOR BMW 1 SERIES F20 | F21

TEST FITTING

Line up the spoiler centrally on the OEM car spoiler. Measure from both edges to make sure the spoiler is in center and mark these points.

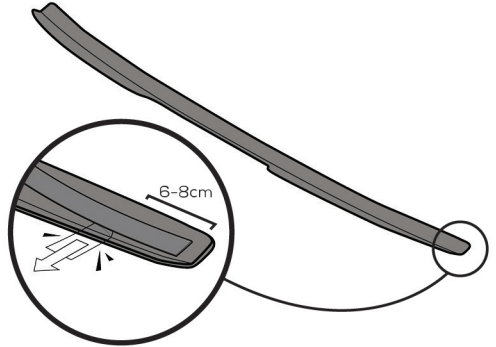


①

CLEANING THE SURFACE & REMOVING PROTECTION FILM OF THE SPOILER

Please clean the OEM car spoiler and make sure that it is free of grease. You can now remove the double-sided tape at the ends for 6-8 cm, do not pull it off completely to make installation easier.

②



APPLYING THE SPOILER TO THE CAR

Line up the spoiler on the previously marked points and make sure you can reach the ends of the slightly peeled double-sided tape. Now press the ends of the spoiler slightly on the OEM spoiler and make sure that the spoiler is centered on the OEM car spoiler. Now you can carefully peel off the ends of the double-sided tape under the spoiler. After that, you can press the surface of the spoiler onto the OEM car spoiler so that the entire double-sided tape sticks to the car.

③

