



ZAERO
D E S I G N

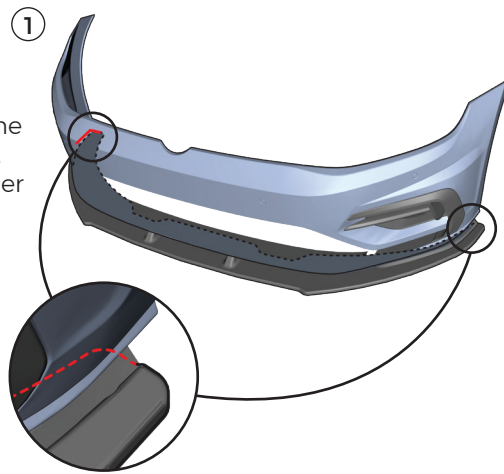
EVO-1 FRONT LIP
FOR VW GOLF MK 7.5 R

Installation Manual

EVO-1 FRONT LIP FOR VW GOLF MK 7.5 R

TEST FITTING

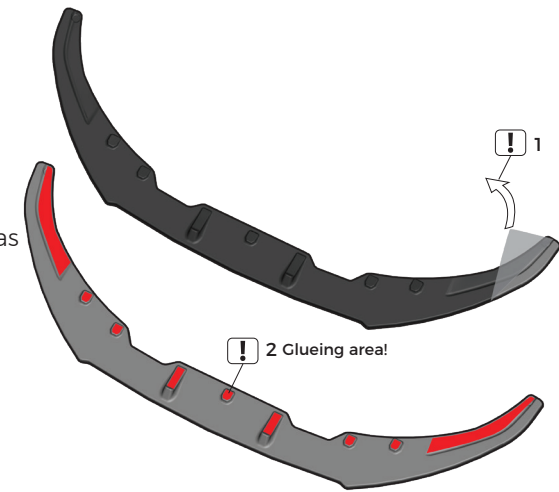
Please note we recommend to disassemble the original front bumper for installing the splitter. Align the new front lip with the original bumper so that the ends align with the original parts.



3 REMOVING PROTECTIVE FILM OF THE SPLITTER

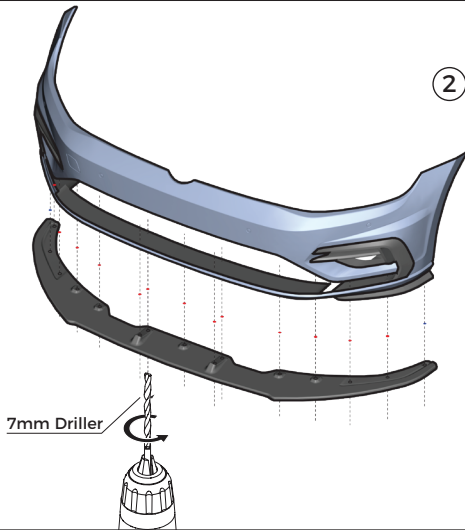
1- Clean the original front bumper with a suitable degreaser. Now remove the protective film from the front lip.

2- Apply the polyethylene glue to the areas of the front lip as shown and position the front lip on the original front bumper - make sure the glue spreads evenly.



2 PRE DRILLING THE HOLES

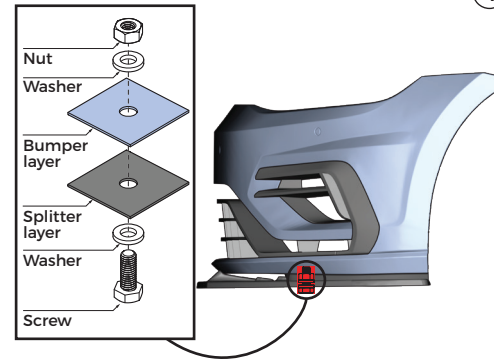
With the splitter in the correct position, drill the holes through the original front bumper marked on the drilling template in RED! with a 7mm drill bit.



4 APPLYING THE SPLITTER TO THE BUMPER

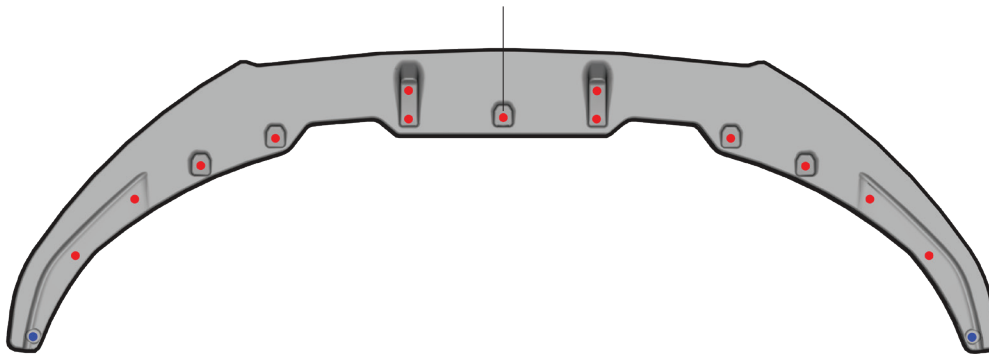
1- Use the bolts for the pre drilled holes marked RED! Secure the bolts by adding the nuts. Please make sure to use washers on both sides.

2- You can now reassemble the undertray.



The glue must dry at least 12 hours before driving. We recommend in addition fixing the splitter with tape for this time to keep in position, to get a perfect result.

HOLES NEED TO BE DRILLED



● BOLTS + NUTS + WASHER

● SELF TAPPING SCREWS

We wish you a lot of fun with your new front lip!
Tuning is not just a passion, it's a lifestyle!
Enjoy it!

