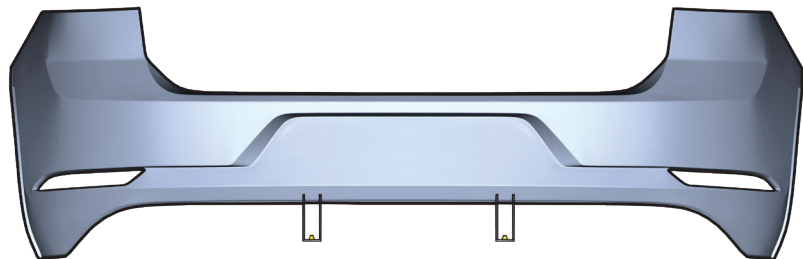
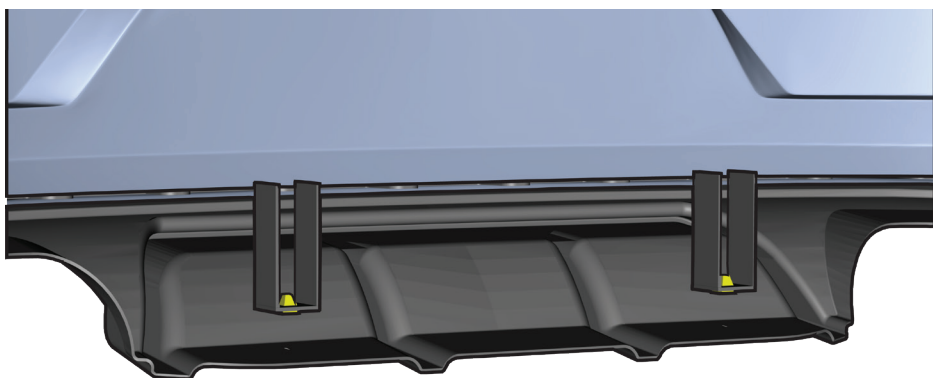


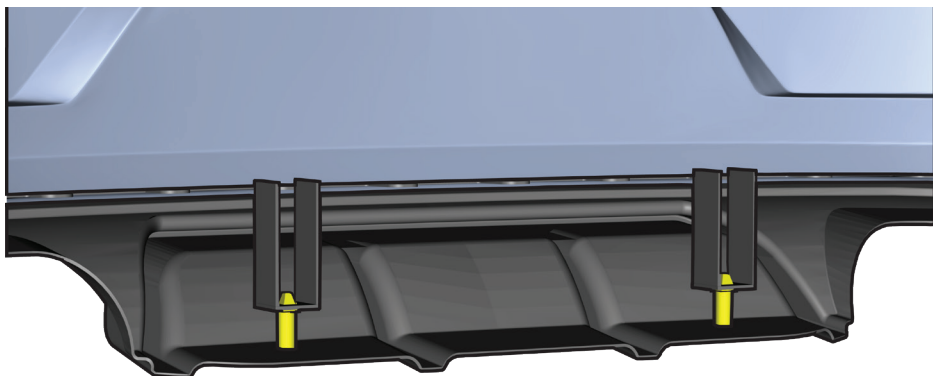
After the centre section of the diffuser has been attached, you can now attach the diffuser extensions on the left and right. Screw both extensions below the bumper to the original bumper and diffuser.



Inserting the plastic threads into the original steel holders.



You can now fit the spacer sleeves between the diffuser and the steel holders. Put the long threaded screw through the holes in the middle of the diffuser and the sleeve and screw it into the threaded sleeve.



Done! We wish you a lot of fun with your new diffuser!  
Tuning is not just a passion, it's a lifestyle!

Enjoy it!

# ZAERO

D E S I G N

## EVO-1 DIFFUSER FOR VW GOLF MK 7.5 R

Installation Manual



[WWW.ZAERO-DESIGN.COM](http://WWW.ZAERO-DESIGN.COM)

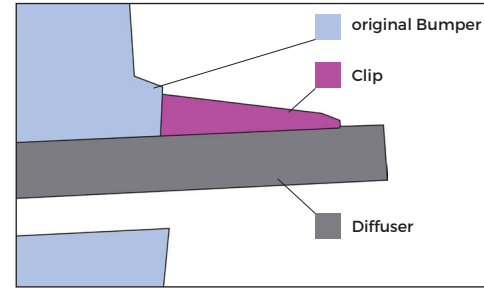
## EVO-1 DIFFUSER FOR VW GOLF MK 7.5 R

### DISASSEMBLY OF THE ORIGINAL DIFFUSER

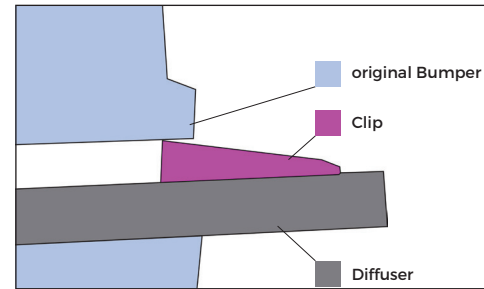
Please remove the original Diffuser. The easiest way to release the anchoring clips from the bumper is to press them down on the inside of the bumper, so that the clip does not lock. Please note the fastening points below the bumper.

①

Anchored correctly



Not anchored correctly



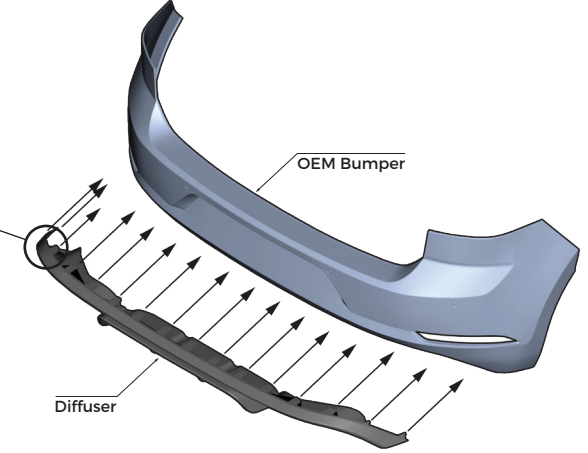
③

### INSTALLATION OF THE DIFFUSER

You can attach our diffuser now. Make sure that all tabs are inserted correctly in the original bumper.

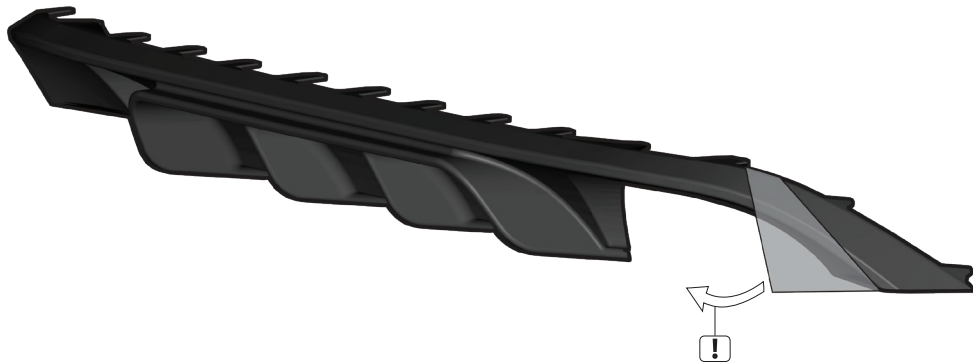
Gently push the diffuser onto the bumper to achieve the correct position. As the bumpers are often very soft in the middle and give way, make sure that you can hold against them from the inside if necessary.

The clips must now anchor with the bumper.



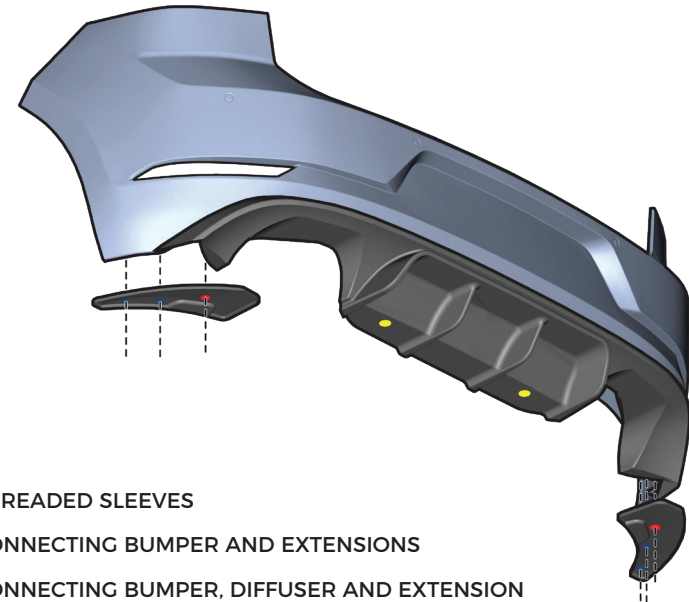
### ② REMOVING PROTECTIVE FILM

Please peel off the protective film slightly at the edges so that you can remove the protective film more easily when mounted.



④

### ATTACHING THE DIFFUSER EXTENSION (LEFT + RIGHT)



- THREADED SLEEVES
- CONNECTING BUMPER AND EXTENSIONS
- CONNECTING BUMPER, DIFFUSER AND EXTENSION