

ZAERO

D E S I G N



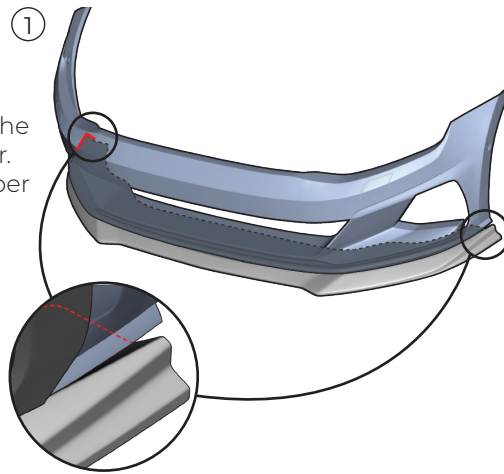
EVO-1 FRONT LIP FOR VW GOLF MK 7.5 GTI

Installation Manual

EVO-1 FRONT LIP FOR VW GOLF MK 7.5 GTI

TEST FITTING

Please note we recommend to disassemble the original front bumper for installing the splitter. Align the new front lip with the original bumper so that the ends align with the original parts.



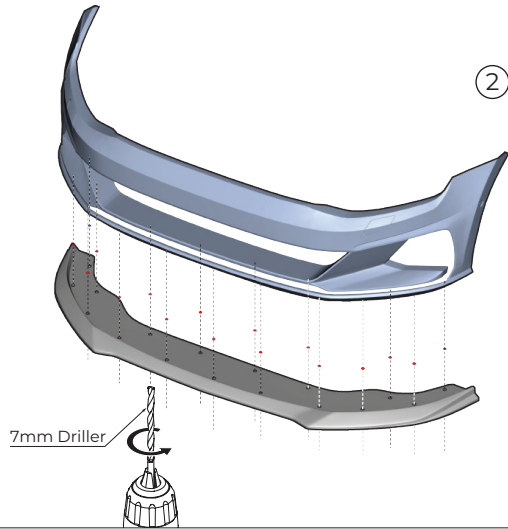
3 REMOVING PROTECTIVE FILM OF THE SPLITTER

1- Clean the original front bumper with a suitable degreaser. Now remove the protective film from the front lip.



2 PRE DRILLING THE HOLES

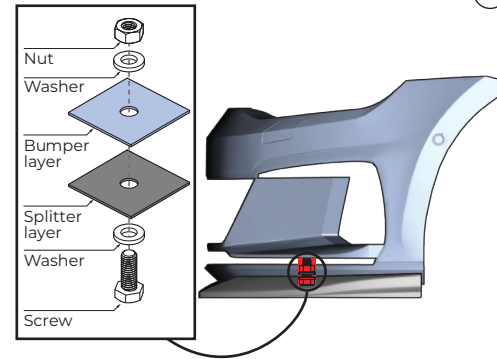
With the splitter in the correct position, drill the holes through the original front bumper marked on the drilling template in RED! with a 7mm drill bit.



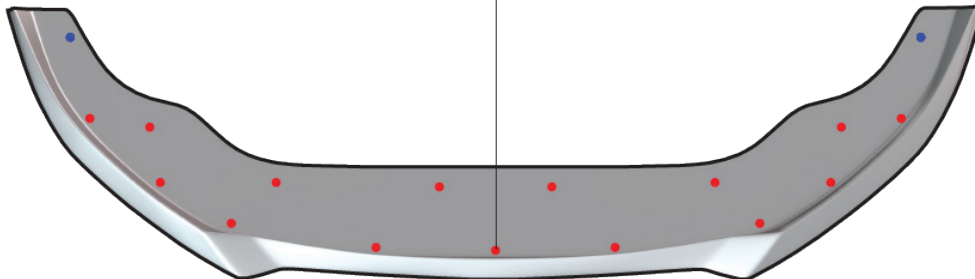
4 APPLYING THE SPLITTER TO THE BUMPER

1- Use the bolts for the pre drilled holes marked RED! Secure the bolts by adding the nuts. Please make sure to use washers on both sides.

2- You can now reassemble the undertray.



HOLES NEED TO BE DRILLED



● BOLTS + NUTS + WASHER

● SELF TAPPING SCREWS

We wish you a lot of fun with your new front lip!
Tuning is not just a passion, it's a lifestyle!

Enjoy it!

