



EVO-1 FRONT SPLITTER FOR BMW 1 SERIES F20 | F21

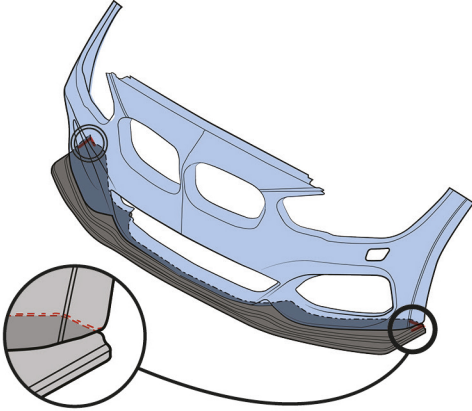
INSTALLATION MANUAL

EVO-1 FRONT SPLITTER FOR BMW 1 SERIES F20 | F21

①

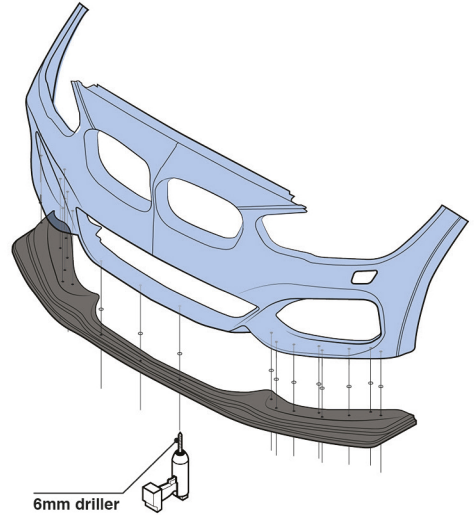
TEST FITTING

Please note we recommend to disassemble the OEM bumper for installing the splitter. Line up the splitter on the OEM bumper. Align the splitter so that the edges of the splitter ending with the edges of the OEM bumper towards the wheels.



PRE DRILLING THE HOLES

With the splitter in the correct position, you have to drill the holes through the OEM front bumper with a 6mm driller.



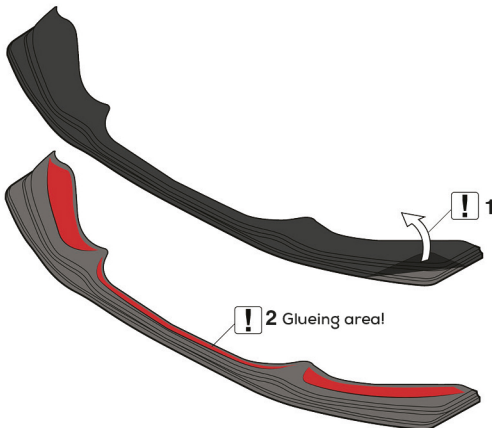
②

REMOVING PROTECTION FILM OF THE SPLITTER

1- Please clean the OEM bumper and make sure that it is free of grease.

You can now take off the protection film on the splitter.

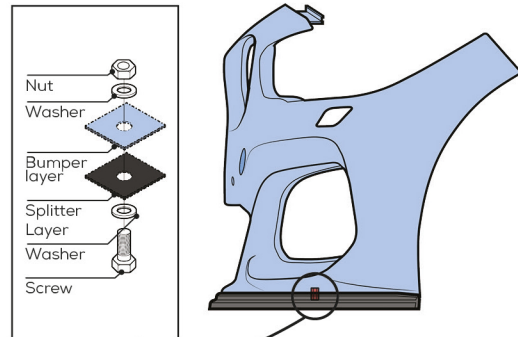
2- Apply the polyethylene glue to the areas of the splitter as shown below and position the splitter on the OEM front bumper - make sure the glue spreads evenly.



③

APPLYING THE SPLITTER TO THE OEM BUMPER

Use the screws to fix the splitter on the OEM front bumper by the pre-drilled holes - secure the screws by adding the nuts. Please make sure to use washers on both sides.



④



The glue must dry for at least 12 hours before driving. We recommend in addition fixing the splitter with tape for this time to keep in position, to get a perfect result.