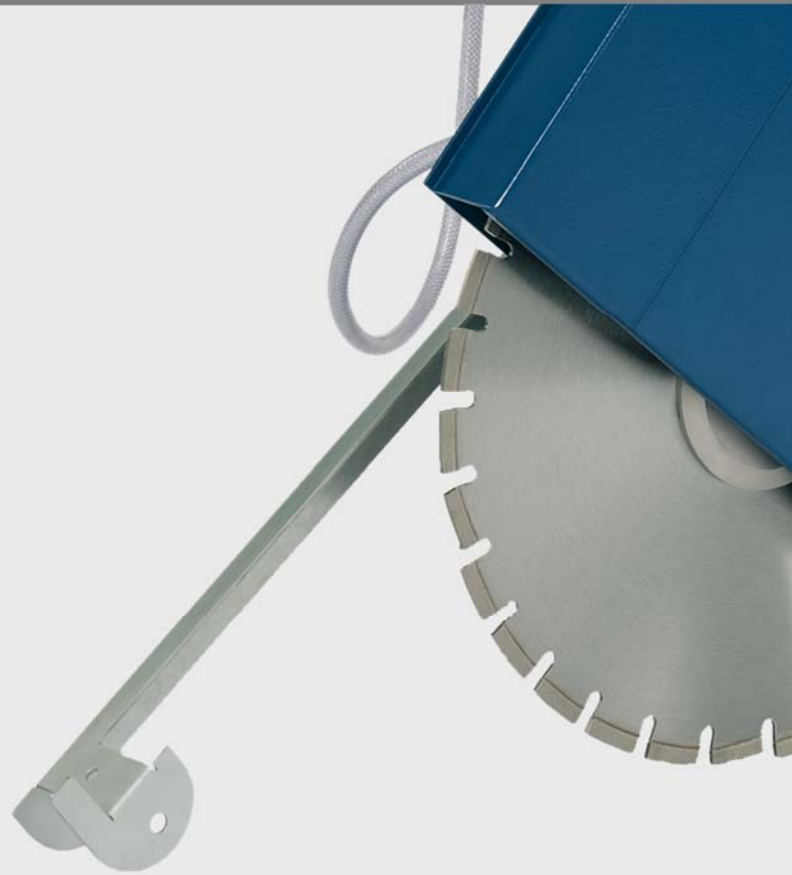


LISSMAC

CONSTRUCTION TECHNOLOGY

OPERATING MANUAL FLOOR CUTTER

MULTICUT 800



LISSMAC Maschinenbau GmbH
Lanzstrasse 4
D-88410 Bad Wurzach
Telefon +49 (0) 7564 / 307-0
Telefax +49 (0) 7564 / 307-500
lissmac@lissmac.com
www.lissmac.com



Imprint



The operating manual is valid for

LISSMAC Floor Cutter MULTICUT 800

Version: 08-2016

Translation of the original operating manual

Company headquarters:

LISSMAC
Maschinenbau GmbH
Lanzstraße 4
D-88410 Bad Wurzach
Tel: +49 (0) 7564 / 307 - 0
Fax: + 49 (0) 7564 / 307 - 500
E-Mail: lissmac@lissmac.com
Web: www.lissmac.com

The dissemination or duplication of this operating manual in any form, or the reuse of contents is forbidden unless permitted in writing. Non-compliance is subject to compensation for damages. All rights reserved for the purpose of patent, utility model, or design patent registration.

Preface to the operating manual

This operating manual should make it easier to get to know the machine and make use of its intended applications.

The operating manual contains important information on how to operate the machine safely, properly and economically. Your close attention helps avoid risk, repair costs and downtime, and increase the reliability and lifetime of the machine.

The operating manual is to be supplemented by directives for accident prevention and environmental protection, according to applicable national requirements.

The operating manual is to be kept permanently available at the machine location.

The operating manual must be read and used by each person assigned to work with the machine, e.g.:

- **Operating**, including tooling, troubleshooting during operating, correction of production rejects, service, disposal of operating and auxiliary materials
- **Maintenance** (service, inspection, repair) and/or
- **Transport**

Along with the operating manual and the valid legal regulations for accident prevention in the country of use and the place of use, also recognised technical regulations for safety and proper work are to be observed.

Table of Contents

1. Basic safety instructions
2. Machine description
3. Commissioning
4. Transport
5. Operation
6. Operation with waste water suction
7. Maintenance
8. Troubleshooting table
9. Service work
10. Warranty

1. Basic safety instructions

1.1 Warning notices and symbols in this operating manual



Danger!

Indicates that failure to comply could lead to severe injury or even death.



Attention!

Indicates that failure to comply could sometimes lead to injuries.



Note

Indicates that failure to comply leads to damage to the machine or other property.

Symbols on the machine:



Observe the operating manual



Wear hearing protection



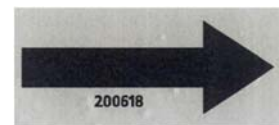
Noise power level
Noise level of the machine



Rotating sawblade



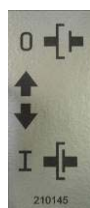
Attachment point
for crane transport



Running direction of the saw blade



Floor cutter braking



Floor cutter feed



Feed speed controller when
immersing the saw blade

1.2 Basics of intended use

- 1.2.1 The machine is constructed according to the state of the art and recognised technical safety rules. However, danger to life and limb of the user or third parties, and/or damage to the machine or other property may still arise from its use.
- 1.2.2 Only use the machine in technically faultless condition and for intended use, aware of safety and danger complying with the operating manual! You should particularly handle malfunctions which can compromise safety immediately, or have them addressed by experts!
- 1.2.3 The floor cutter is exclusively intended for cutting joints in concrete or asphalt. Cutting of wood, plastic or metal (except for reinforcement in concrete) is not allowed!
Any other use or use above and beyond is not considered intended use. The manufacturer/supplier assumes no liability for damages caused by failure to comply with the intended use.

Intended use also includes compliance with the operating manual and observance of inspection and maintenance requirements.

1.3 Organisational measures

- 1.3.1 The operating manual is to be kept permanently at the machine location and easily accessible!
- 1.3.2 Follow and instruct others in all generally valid legal and otherwise binding regulations for accident prevention and environmental protection in addition to the operating manual!
- 1.3.3 Personnel assigned to activities on the machine must have read the operating manual, particularly the Safety Instructions chapter, before starting work. In the middle of work it is too late. This applies notably to personnel who only work occasionally on the machine, e.g. for changeovers and service.
- 1.3.4 At least occasionally, perform checks for safe and hazard awareness work by operators while following the operating manual!
- 1.3.5 Use personal protection equipment if necessary or required by regulations!
- 1.3.6 Observe all safety and danger instructions on the machine!
- 1.3.7 Keep all safety instructions and danger warnings on/in the machine complete and in legible condition!
- 1.3.8 At the presence of safety-related changes to the machine or its running behaviour, stop the machine immediately and report the problem to the responsible post/person!
- 1.3.9 No changes, removal or addition of parts to the machine without the approval of the supplier!
- 1.3.10 Only use original replacement parts from the manufacturer!
- 1.3.11 Observe required or prescribed deadlines given in the operating manual for inspections!
- 1.3.12 Workshop equipment suitable for the work is absolutely necessary for performing maintenance actions.

1.4 Personnel choice and personnel qualification; basic responsibilities

- 1.4.1 Work on the machine must only be performed by reliable personnel. Observe the legal minimum age!
- 1.4.2 Only use trained or orientated personnel. Establish clear responsibilities of the personnel for operating, changeover, servicing, and repairing the machine!
- 1.4.3 Make sure that only authorised personnel work on the machine!
- 1.4.4 Establish the responsibility of the machine operator, also in respect to traffic regulations, and enable him to refuse to follow instructions by third parties that are contrary to safety!
- 1.4.5 Any personnel training, learning, being instructed, or currently involved in general education may only work with the machine under the continual supervision of an experienced person!
- 1.4.6 Work on the electrical equipment of the machine may only be carried out by electricians or trained personnel under the management and supervision of an electrician, and in accordance with the rules of electronics.

1.5 Safety instructions for certain operation phases

1.5.1 Normal operation

- 1.5.1.1 Refrain from working in any manner that is questionable in regard to safety!
- 1.5.1.2 Take measures to ensure that the machine is operated only in a safe, functional condition!
- 1.5.1.3 At least once per shift check the machine for externally recognisable damage and deficiencies! Any changes which occur (including operating behaviour) must be reported immediately to the responsible post/person! If necessary, immediately stop the machine and secure it!
- 1.5.1.4 Immediately stop and secure the machine in case of malfunctions! Immediately correct malfunctions!
- 1.5.1.5 Before beginning work become familiar with the operating location and working environment. The working environment includes, for example, obstacles in the traffic area, bearing capacity of the floor, required security of the construction site to the public traffic area and possibilities for help in case of accidents.
- 1.5.1.6 You may not leave the floor cutter while the diesel motor is still running.
- 1.5.1.7 Do not leave the floor cutter with the brakes (Pos. 22) off.
- 1.5.1.8 When starting the diesel motor, the lever (Pos. 20) must always be in the middle position.

1.5.2 Special work while using the machine and maintenance work as well as troubleshooting during operation; disposal

- 1.5.2.1 Follow all setup, maintenance, and inspection activities and schedules prescribed by the operating manual, including all information about the replacement of parts / assemblies! These activities may only be carried out by experts.
- 1.5.2.2 Inform operating personnel before beginning special and maintenance work! Name a supervisor!
- 1.5.2.3 If the machine is completely turned off during maintenance and repair work, it must be secured against unexpected application of power.
- 1.5.2.4 Before cleaning the machine with water or steam jet (high-pressure cleaner) or other cleaning agents, cover/glue all openings in which no water/steam/cleaning agent should penetrate due to safety and/or functional reasons. Electric motor and switches are especially at risk.
- 1.5.2.5 After cleaning, remove the covers/tape completely!
- 1.5.2.6 During service and repair work, always tighten loose bolt joints!
- 1.5.2.7 If dismantling is required for fitting, servicing and repair, the safety fittings must be remounted and checked immediately following the service and repair work!
- 1.5.2.8 Please ensure the safe, environmentally friendly disposal of operating and auxiliary materials and replacement parts!

1.6 Safety instructions for special types of dangers

1.6.1 Electric power

- 1.6.1.1 Use only original fuses with the specified current rating! In case of problems with the electrical power supply, turn the machine off immediately!
- 1.6.1.2 Work on the electrical operating equipment of the machine may only be carried out by electricians or trained personnel under the management and supervision of an electrician, and in accordance with the rules of electronics.
- 1.6.1.3 The machine's electrical equipment must be inspected/checked regularly. Faults such as loose connections or scorched cables must be corrected immediately.
- 1.6.1.4 There is a high power draw when the ignition is active.

1.6.2 Dust

- 1.6.2.1 Follow applicable national regulations!

1.6.3 Noise

- 1.6.3.1 Wear specified personal hearing protection!

1.7 Transport

- 1.7.1 Only use lifting gear and load carrying equipment with sufficient lifting capacity during loading work!
- 1.7.2 Name expert instructors for the lifting process!
- 1.7.3 Lift the machine only according to the instructions in the operating manual (using attachment points for load-bearing systems, etc.), and with proper lifting accessories!
- 1.7.4 Only use suitable transport vehicle with sufficient load capacity!
- 1.7.5 Secure loads reliably. Use suitable attachment points!
- 1.7.6 Even when moving the machine only for a short distance, disconnect the machine from the power mains! Before restarting the machine, connect it to the power mains correctly!
- 1.7.7 When recommissioning, follow the operating manual!
- 1.7.8 You may only move the floor cutter when the front part is slightly lifted.

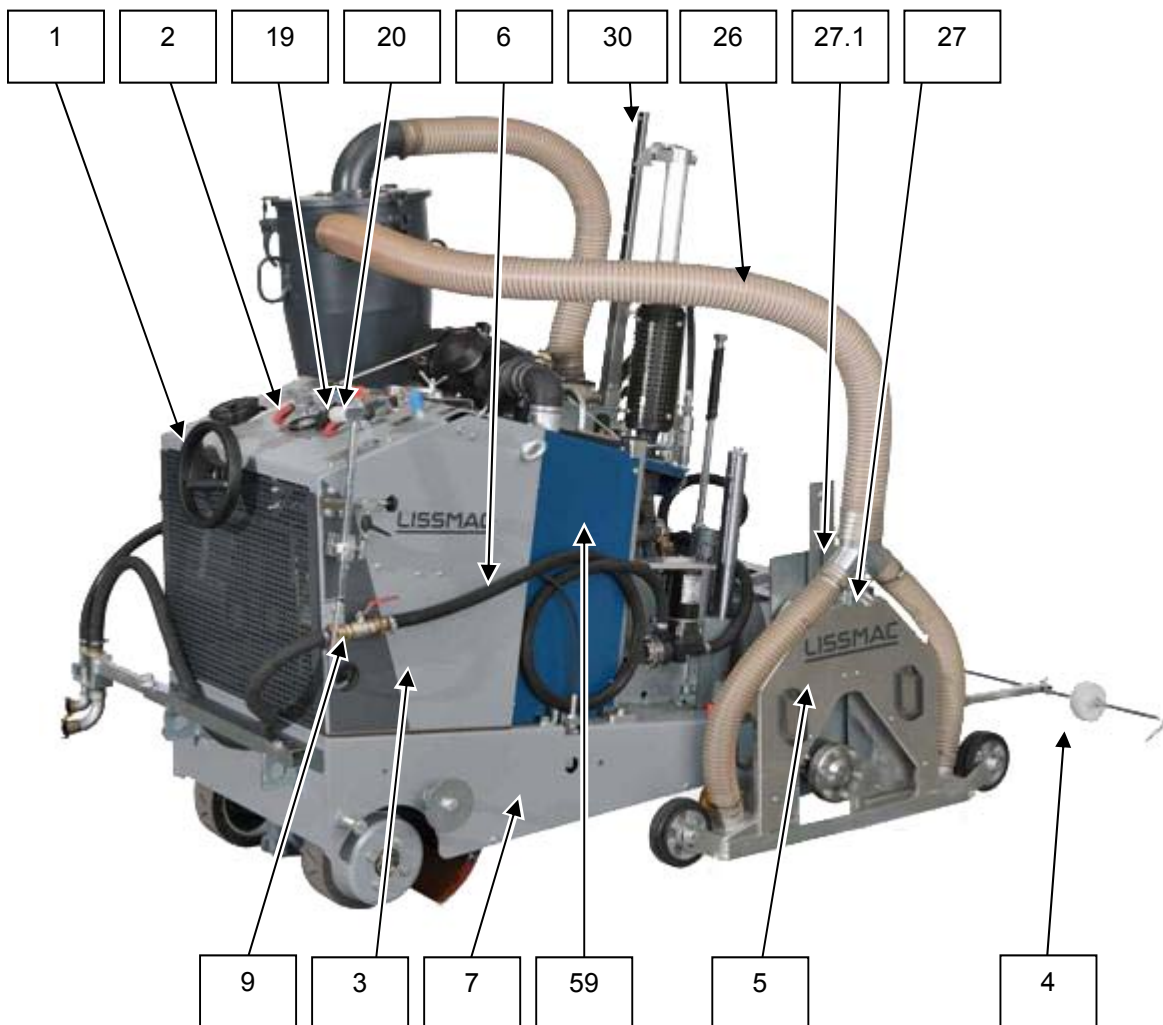
2. Machine description

1.1 Component overview

- Pos. 1 Steering wheel
- Pos. 2 Control console
- Pos. 3 Motor housing
Contents: Diesel engine, controls, hydraulic pump
- Pos. 4 Steering rod
- Pos. 5 Saw blade protective hood
- Pos. 6 Water supply
- Pos. 7 Undercarriage
Contents: Steering, gears

1.1 Safety guards

- Pos. 5 Saw blade protective hood



2.3. Technical data

	MULTICUT 800 G	MULTICUT 800 GH
Cut depth	315 mm (515 mm)	315 mm (515 mm)
Cutting depth setting	Electrohydraulic / variable	Electrohydraulic / variable
Standard saw blade Ø	800 mm (1,200 mm)	800 mm (1,200 mm)
Saw blade holder	35 mm (6x M12-TK 120 mm)	35 mm (6x M12-TK 120 mm)
Drive forwards	0 - 60 m/min	0 - 60 m/min
Drive backwards	0 - 25 m/min	0 - 25 m/min
Max. Output power	44 kW/ 60 PS	44 kW/ 60 PS
Saw blade speed Standard	1550 / 970 RPM	1550 / 970 RPM
Saw blade speed Optional	2500 / 1550 RPM	2500 / 1550 RPM
Saw blade drive	V belt drive	V belt drive
Dimensions (L/W/H mm)	1680 / 1050 / 1360	1680 / 1050 / 1360
Weight	935 kg	1070 kg

2.4. Noise parameters

Guaranteed noise power level:

MULTICUT 800 G	MULTICUT 800 GH
113 dB(A)	113 dB(A)



Danger

Hearing protection must be worn when exceeding 85 dB(A)!

The noise emissions measurement was performed in compliance with ISO 4872 DIN/ISO 6393 and DIN/ISO 6394.

2.5 Vibration on the steering shaft

Operating condition:

Measurement during concrete cutting

Blade diameter 1000mm, Cutting depth 100mm

Total oscillation value

$a_{hv} = 5.47 \text{ m/s}^2$

The following standards were complied with during measurement:


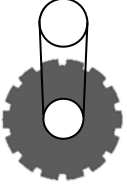
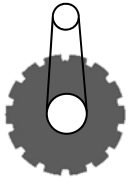
ISO 5349, DIN ENV 25349, DIN 45671, VDI 2057

The given values were measured during concrete cutting at a cut depth of 10cm. In practice, these values are influenced by the following conditions:


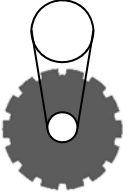
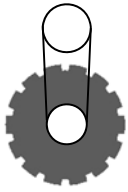
- Quality of the saw blade
- Weight of the operator
- Feed speed
- Condition of the machine
- Concrete properties

2.6 Rotation speeds

MULTICUT 800 G

210693		
	Ø 500 – 800 mm	Ø 700 – 1200 mm
		
rpm	rpm	rpm
2650	1550	970
2480	1450	910
2310	1350	850
2140	1250	780
1970	1150	720

MULTICUT 800 GH

210694		
	Ø 300 – 550 mm	Ø 500 – 800 mm
		
rpm	rpm	rpm
2660	2500	1550
2550	2400	1450
2450	2300	1350
2340	2200	1250
2230	2100	1150

2.7 Water pressure

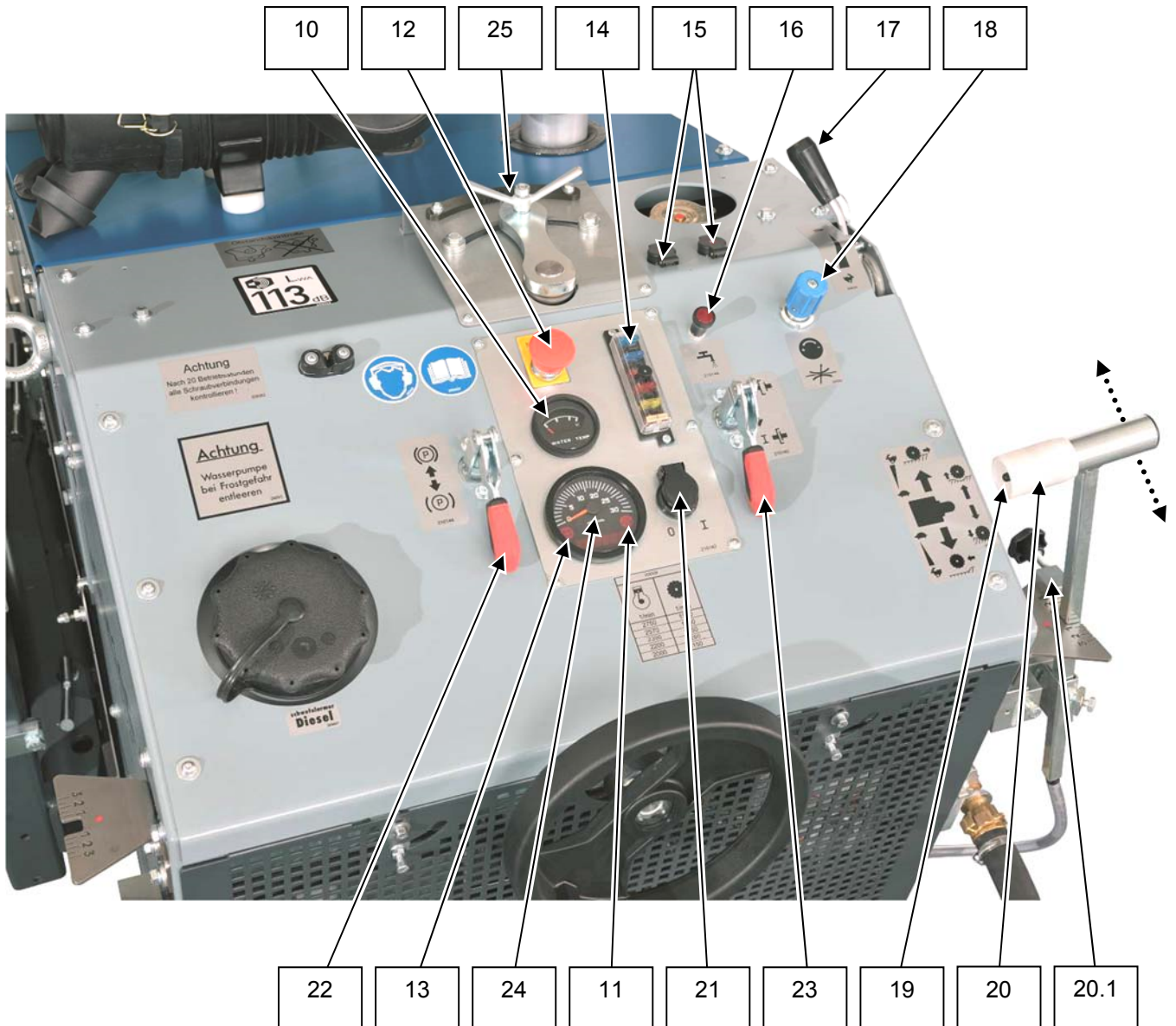
The water pressure in the lines to the floor cutter must not exceed 5 bar.

Otherwise use a pressure reducer and reduce the water pressure to max. 5 bar.

3. Commissioning

3.1 Control console

Before starting the floor cutter become familiar with its operation.



- Pos. 10 Water temperature
- Pos. 11 Motor oil pressure
may not burn during operation!
- Pos. 12 Emergency stop switch
- Pos. 13 Battery charging control
may not burn during operation!
- Pos. 14 Fuses
- Pos. 15 Plug sockets for lamps
- Pos. 16 Water pump on-off
- Pos. 17 Speed control for diesel motor
- Pos. 18 Controller for forward speed cut-in movement of the saw
blade
- Pos. 19 Saw blade "down" "up"
- Pos. 20 Feed lever forwards - backwards
- Pos. 21 Ignition switch
- Pos. 22 Brake



Attention!



Note

Movement only possible when the brakes are released!

Only operate the brakes when the lever (Pos. 20) is in the neutral position.

Lever lowered = brake released
Lever up = brakes locked

- Pos. 23 Coupling for feed movement



Note

Only operate the coupling when the lever (Pos. 20) is in the neutral position.

Lever up = feed inactive
Lever lowered = feed active

- Pos. 24 Diesel motor speed
- Pos. 25 Steering suspension

3.2 Connections and operating materials

- The joint cutter is delivered filled with diesel fuel, however this should be checked (see also 6.1. Maintenance)
- All lubrication points are lubricated with Roxana ALU EP2
- HD system (Pos. 48)
- Filling hole for diesel (Pos. 62)
- Connect cooling water hose

3.3 Install saw blade



Danger!

Risk of injury!

Saw blade exchange may only be done with a shut down motor (Pos. 21) and when the saw blade is at a standstill.

- Switch on ignition (Pos. 21) but do not start the motor
- Move the saw blade drive to the highest position using the lever (Pos. 19).
- Shut off the ignition (Pos. 21)
- Disconnect the water hose
- Remove exhaust hose (Pos 26)
(only MULTICUT 800 GH)
- Unscrew the ring screw (Pos. 27) and remove the Y-piece from the holder
- Unscrew the M 10 (Pos. 27.1) ring nut
- Remove the saw hood (Pos. 5)
- Loosen the hexagon head screw (left-hand thread)
- Remove the pressure disc
- Insert the saw blade



Attention!

Ensure that the flange surfaces are clean.

Match the direction of rotation of the saw blade (arrow on the blade) with the arrow on the saw hood (synchronised sawing).

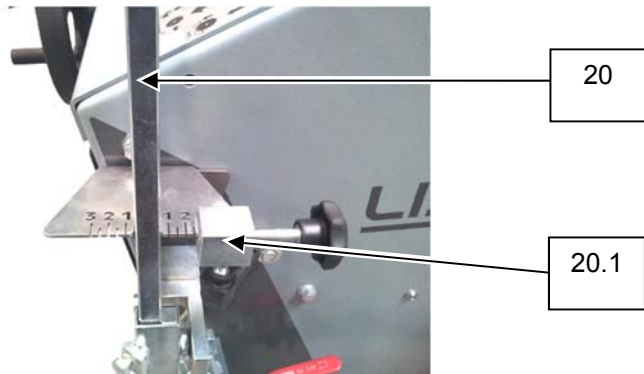
- Mount the pressure disc and fasten using the screws (use force to tighten)
- Replace the protective hood
- Mount the ring screw (Pos. 27.1)
- Place the Y hose piece into the holder and tighten it with the ring screw (Pos. 27)
- Mount the exhaust hose (Pos. 26)
(only MULTICUT 800 GH)
- Connect the water hose

3.4 Preparations for starting



Note

- Move the floor cutter into position
- Steering rod (Pos. 4) and saw blade (or rear steering rod) are above the cut line



The feed lever (Pos. 20) must be in the middle position when starting the motor.

- Start the diesel motor (Pos. 21)



Attention!

Follow the Kubota operating manual!

- Release the brakes (Pos. 22) and connect the feed (Pos. 23)
- Open water tap (Pos. 9)



Note

Take the rotation speed from the table (see 2.6) and follow the rev counter (Pos. 24)!

- Set the rotation speed above the gas lever (Pos. 17)
- Reduce the controller (Pos. 18) (clockwise)
- Slowly lower the saw blade using the toggle lever (Pos. 19) and controller (Pos. 18) - until it cuts slightly.



Attention!

Is the saw blade getting enough cooling water?

- Set the depth display (Pos. 30) to "zero".
- Immerse the saw blade to the desired cut depth
- * Toggle lever (Pos. 19) and controller (Pos. 18)
- * Observe the depth display (Pos. 30)
- Feed movement is controlled with the lever (Pos. 20).

Max. forward movement speed = max. lever travel

3.5 Feed lever stopper

The adjustable feed lever stopper (Pos. 20.1) enables a consistent feed.

4. Transport

4.1 Movement



Attention!

Floor cutter movement is only permitted with a stationary saw blade.

For the MULTICUT 800, the saw blade must be removed!

For MULTICUT 800 G and MULTICUT 800 GH the drive lever (Pos. 40) must be in the STOP position!



Attention!

Release the brakes (Pos. 22) and activate the feed (Pos. 23)

- Switch on the ignition (Pos. 21) but do not start the diesel motor
- Slightly lift the floor cutter forwards using the toggle switch (Pos. 19)
- Start the diesel motor using the ignition (Pos. 21)
- Introduce movement using the feed lever (Pos. 20)

4.2 Moving with the crane



Danger!

Personnel should never remain under hanging loads! Comply with the load carrying capacity of the sling material!

- Place the floor cutter onto the crane eye (Pos. 31)
- Lift carefully and observe the weight distribution
- Always keep an eye on the floor cutter

4.3 Set down manually



Danger!

Manual set down onto inclines or declines is forbidden!
Secure the floor cutter against roll away.

- Release brakes (Pos. 22)
- Release coupling (Pos. 23)
- Move the feed lever (Pos. 20) forwards
- Move the floor cutter slightly upwards with the toggle lever (Pos. 19)
- Push the floor cutter to the housing

5. Operation

5.1 Normal cutting operation

- Preparations for starting (see 3.4)
- The feed speed is controlled using the feed lever (Pos. 20)

5.2 Cooling water

Make sure that the saw blade is supplied with sufficient cooling water. The lifetime and the cutting performance are influenced by this.

- Use only clean water
- Do not kink water hose

5.3 Saw blade selection



Danger!

No mesh discs may be used.

Refer to the prospect "Lissmac Diamond Tools".
Install only saw blades recommended by the manufacturer.

5.4 Cutting depth limits

This setting is recommended for several cuts of the same depth

- Immerse to the desired cut depth
- Toggle lever (Pos. 19)
- Controller (Pos. 18)
- Screw in the stop screw (Pos. 38) to the stopper (clockwise) and lock with a nut.

5.5 Switching from counter rotation to parallel feed cutting



Attention!

Switching can only be done when at standstill
If there is danger of frost, the gears under the water tap (Pos. 41) must have water removed.



40

Left position = counter clockwise
Middle position = STOP
Right position = clockwise

- Switch off the motor at the ignition switch (Pos. 21)
- Place the lever (Pos. 40) into position

5.6 Change from right to left cut

The waste water suction (Pos. 32) must be removed (see 5.8.4)

Remove the protective hood and saw blade (see 3.3)

- Remove the safety cover (Pos. 50.5) on the saw blade shaft
- Mount the saw blade (see 3.3)
- Replace the saw blade protective hood
- Mount the water supply (Pos. 6)
- Turn the steering rod (Pos. 4)
- * Swing the steering wheel out (only MULTICUT 800 GH)
- * Mount the feed lever (Pos. 20) to the adapter (Pos. 36) (only MULTICUT 800 GH)

Mount the waste water suction (Pos. 32) on the floor cutter (see 5.8.4).

5.7 Changing the saw blade speed (also see 6.9)

Standard speed is 1550 1/min v-belt (Pos. 58.4)

- Remove the guard plate (Pos. 50)
- Disconnect water supply (only for MULTICUT 800 GH and GH or accessories) on the saw blade shaft
- Loosen screws (Pos. 57) (left and right)
- Release the tension on the V-belts using screw pos. 58 (left and right)
- Loosen and remove nuts (Pos. 58.1) and fold clamps (Pos. 58.3) down
- Fold up both holders (Pos. 58.2)
- Set down the saw blade shaft into the holders (Pos. 58.2)
- Remove V-belts (Pos. 58.4)
- Install additionally delivered V-belts in pos. 58.5 (speed 970 1/min)
- Installation of the saw blade shaft in reverse order

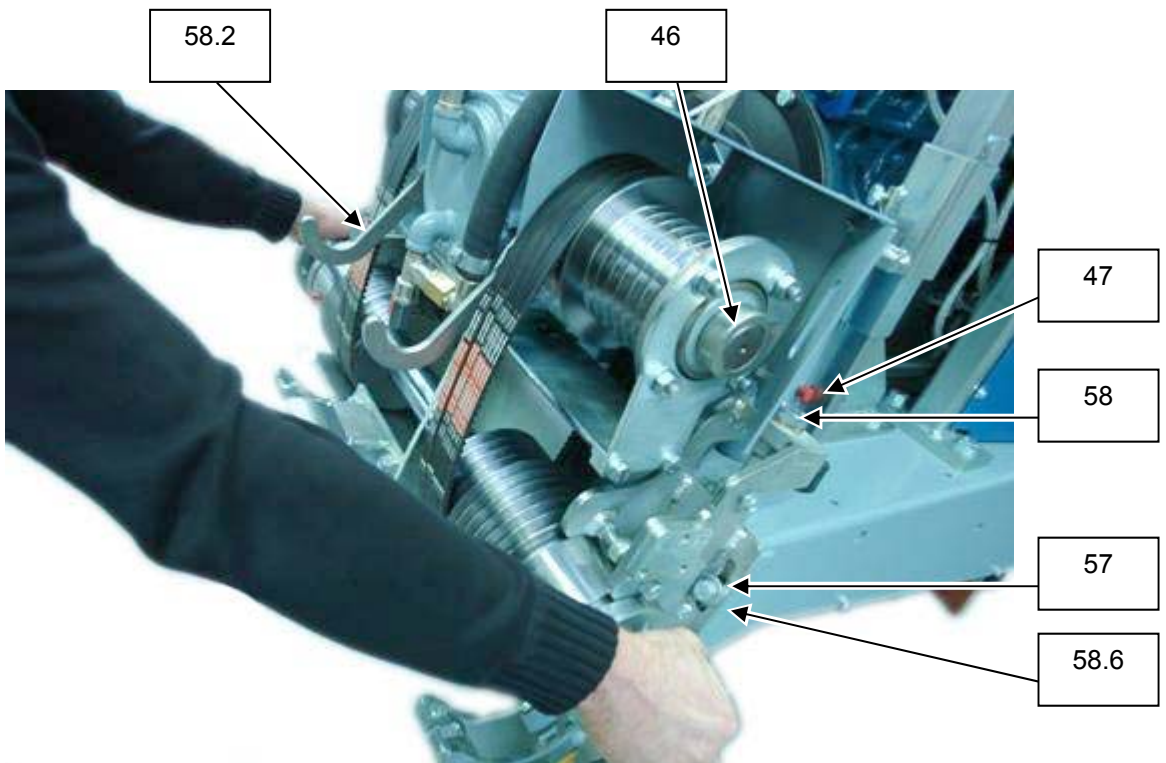
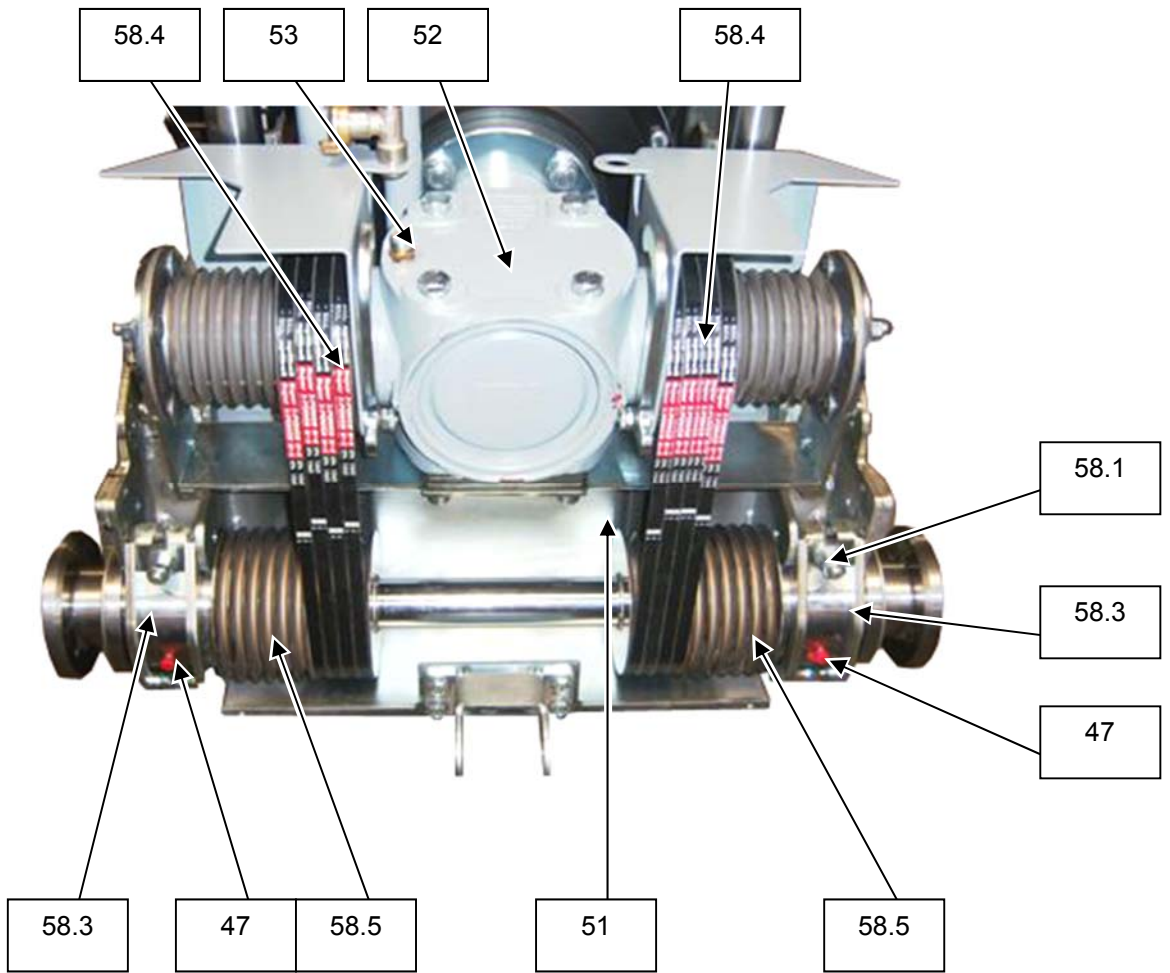


Attention!

Tension the V-belt equally - follow the scale (Pos. 58.6) on both sides.

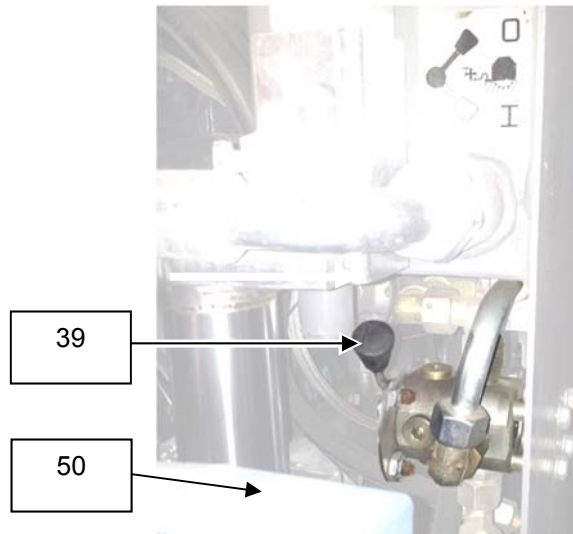
5.8 Setting the steering suspension (Pos. 25)

Using only one-sided cutting resistance it is not possible to operate the joint cutter in a straight line without steering in the opposite direction. When you have reached the proper opposite steering amount, the steering can be set using the lever (Pos. 25).



6. Operation with waste water suction

6.1 Operation of waste water suction (only MULTICUT 800 GH)

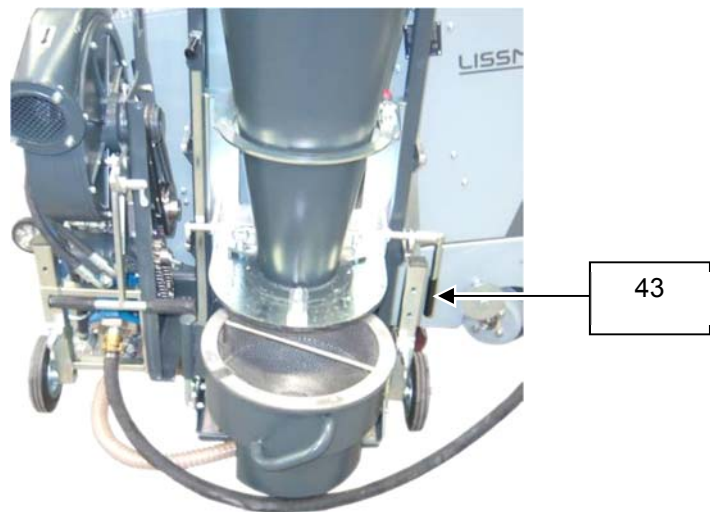


Exhaust can be turned on and off using the lever (Pos. 39)
Lever down = exhaust on
Lever high = exhaust off

6.2 Clean filter in dirty water container (Pos. 42) (several times daily)

➡ Attention!

Switch off the motor of the floor cutter.



- Lift the exhaust using the lever (Pos. 43)
- Pivot out the collection container by the handle
- Remove the sieve from the container
- Clean and replace the sieve (remember the latch)
- Return the collection container into position
- Lower using the lever (Pos. 43)

6.3 Flush the exhaust



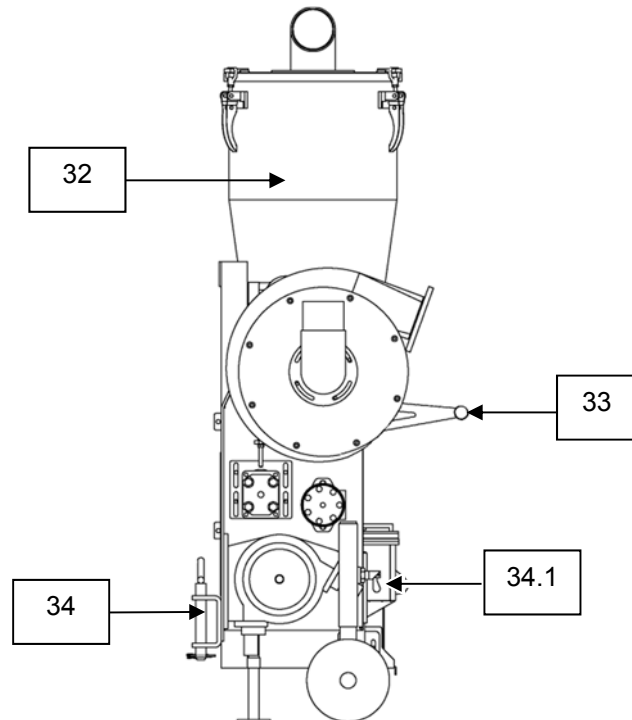
Note

Before any longer operational pause (longer than 0.5 hours) rinse the exhaust with water so that no dried dirt is stuck in the system.

- Switch on the saw blade and joint cutters cooling water (do not saw).
- Switch on exhaust.

Flush until the exhaust hose is running clear water.

6.4 Remove the exhaust



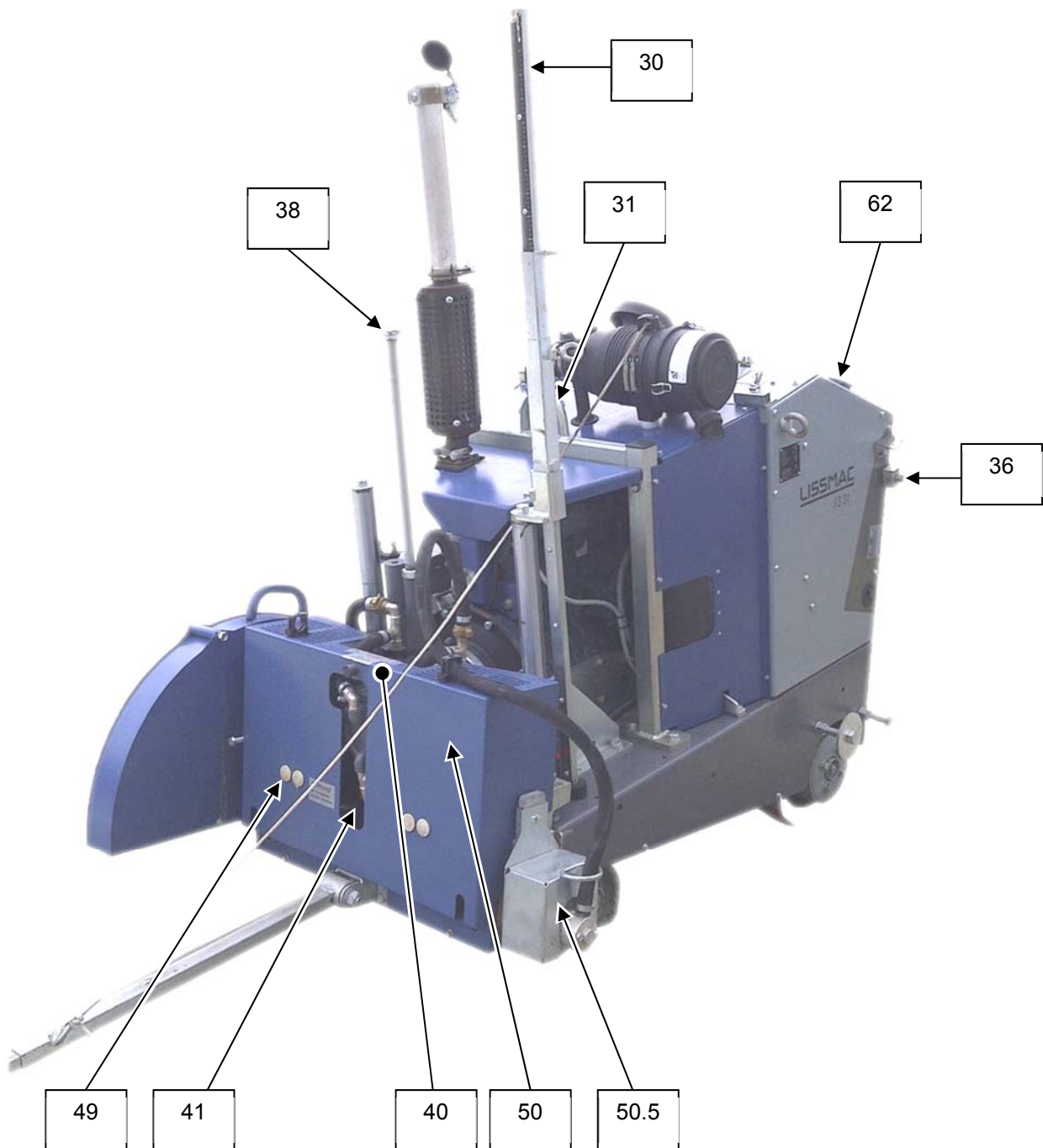
Attention!

The refit must be done by two people.

- Transport wheels and the support feet are lowered by the cotter pins (Pos. 34.1)
- One person holds the handles (Pos. 33)
- A second person pulls the plug (Pos. 34)
- Now the waste water suction can be set onto the wheels (tilted)
- Disconnect the HD lines to the floor cutter
- Mount the water hoses to the other side
- Remove the adapter rails to the waste water suction
- Mount on the opposite side
- Remove the protective hood and saw blade from the right side (see 3.3)
- Mount the saw blade on the left side (see 3.3)
- Mount the saw blade protective hood on the left side

- Mount the water supply (Pos. 6) on the other side
- Turn the steering rod (Pos. 4)
- Swing the steering wheel out
(only MULTICUT 800 GH)
- Mount the feed lever (Pos. 20) to the adapter (Pos. 36)
(unplug cable)

Replace the waste water suction (Pos. 32) on the right side.



7. Maintenance

7.1 Service

	first time	daily	weekly	monthly	annually	when the warning indicator lights up	every "x" operating hours
Change hydraulic oil (see 6.4)	every 2 years – annually for exhaust						
Check hydraulic hoses and screwed connections for leaks and damage	20 h		X				
Lubricate the lubrication points (see 6.3)		X	X	X			
Check oil level in hydrostatic Check the drive (see 6.7)				X			
Change oil in the bevel gear drive (SAE 90 fully synthetic) (see 6.5)					X		
Check the safety equipment (see 2.2)		X					
Check the V-belt tension (see 6.9)			X				
Perform a cooling water check (see 6.8)				X			
Oil change on the feed drive (see 6.6)	every 2 years						

Diesel motor, see Kubota operating manual.



Attention!

Check all screw connections after 20 operating hours!



Note

**Check that the diesel motor is in a horizontal position when checking the motor oil level.
Please follow the operating manual of the engine manufacturer (which is included with each new machine),
especially pay attention to the safety and maintenance procedures!**

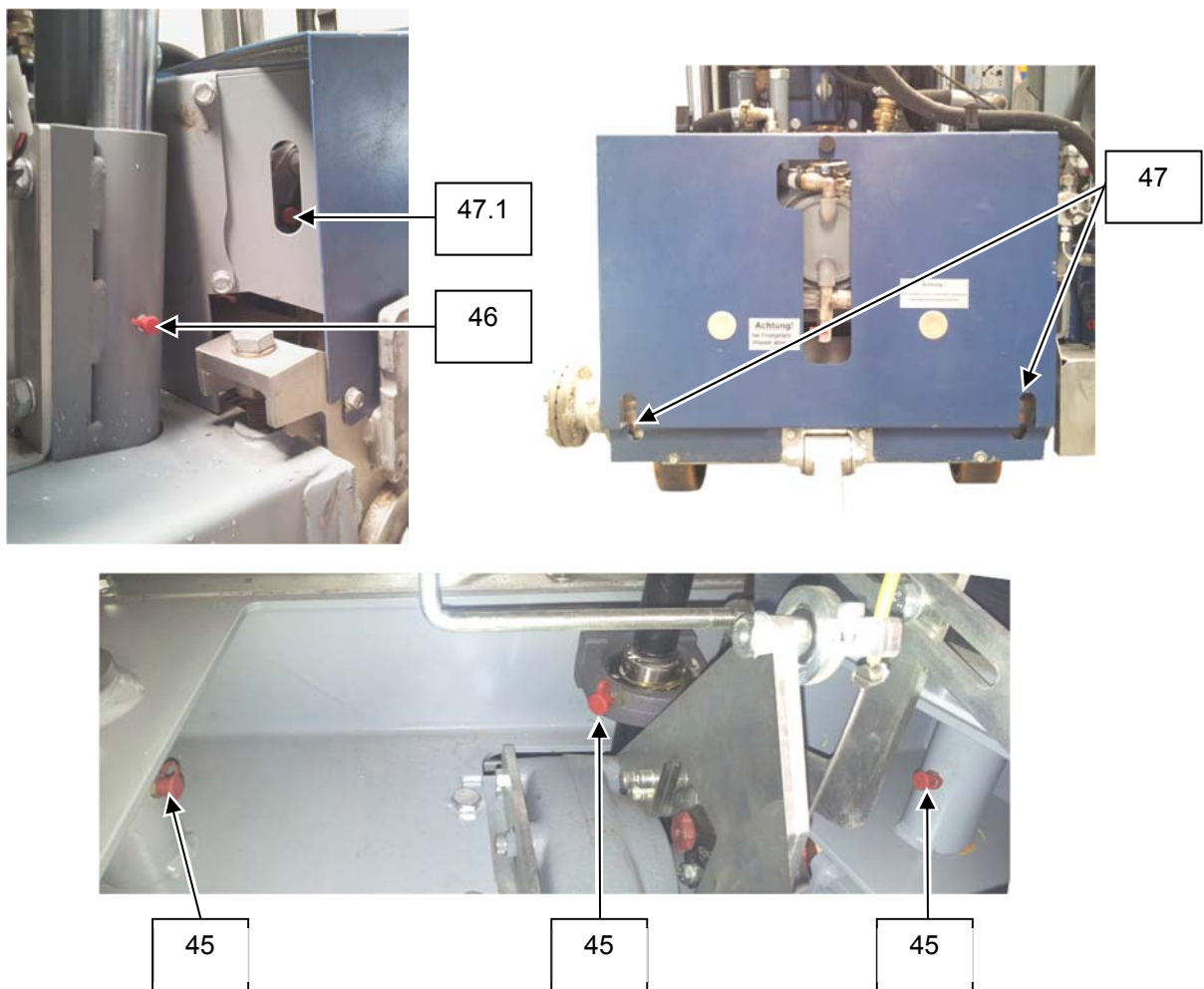
7.2 Operating materials

- Diesel motor, see Kubota operating manual
- Drive oil for the bevel gear drive (Pos. 52)
 - * SAE 90 fully synthetic 1.2 l
- Lubrication points
 - * Roxana ALU EP2

7.3 Lubrication points

Moving parts must be lubricated using the integrated lubrication nipples. The lubrication points are marked and covered by red dust caps.

Only use qualified heat-resistant multi-purpose grease. Roxana ALU EP2 multi-purpose grease is used.



Lubrication points and guides

- Lubricate the guide columns (Pos. 46) weekly
- Lubricate the support bearings (Pos. 47.1) weekly
- Lubricate the saw blade shaft (Pos. 47) weekly
- Lubricate steering parts (Pos. 45) weekly
- Lubricate the rigid axles of heavy duty wheels monthly

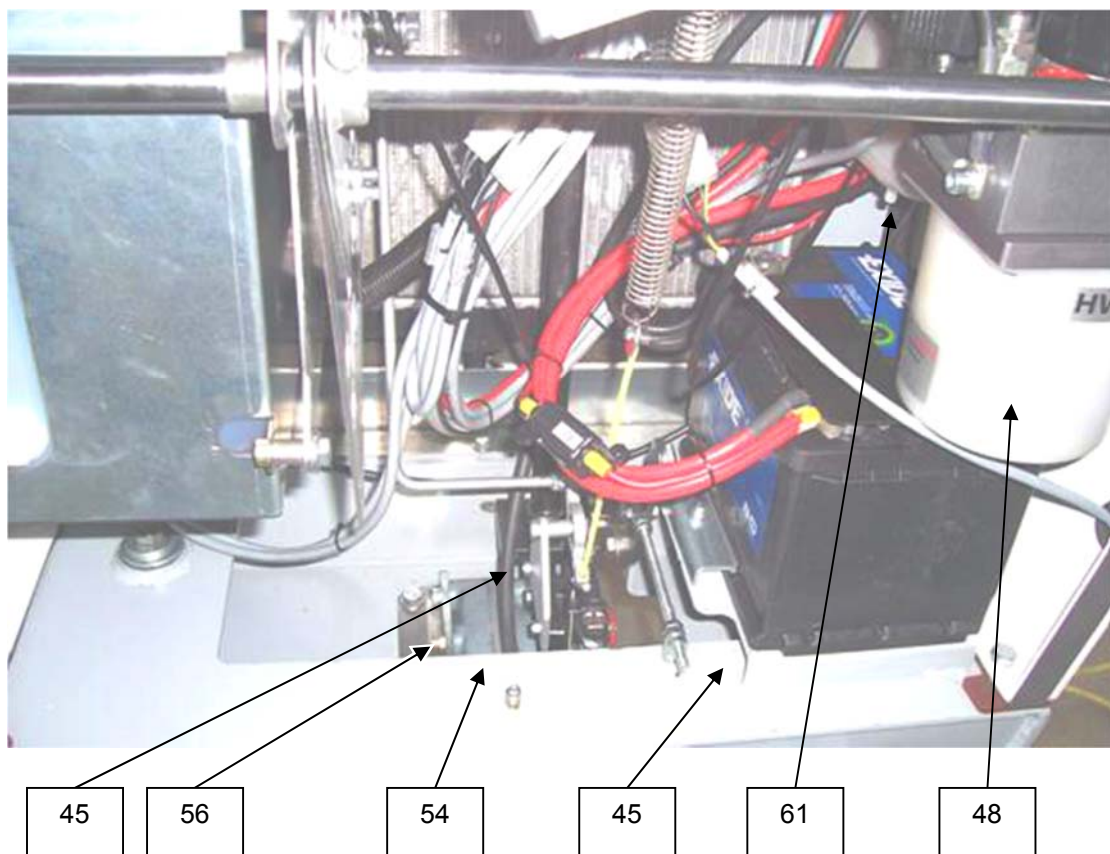
7.4 Hydraulic oil change

The system (Pos. 48) is filled with "BP Batran HVAC-68" hydraulic oil by the manufacturer. Old oil can be exhausted at the filling neck of the system.

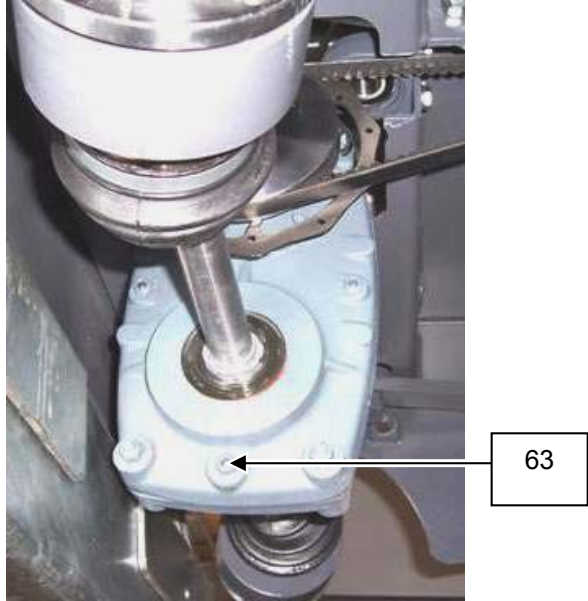
- You can also screw off the system and tip it so that the oil runs out.

7.5 Bevel gear drive oil change (Pos. 52)

- Remove the cover plate (Pos.50)
- Screw the ventilation stopper out (Pos. 53)
- Remove the drain screw (Pos. 51)
- Drain oil
- Return the drain screw (Pos. 51)
- Refill oil (SAE 90 fully synthetic 1.2l)

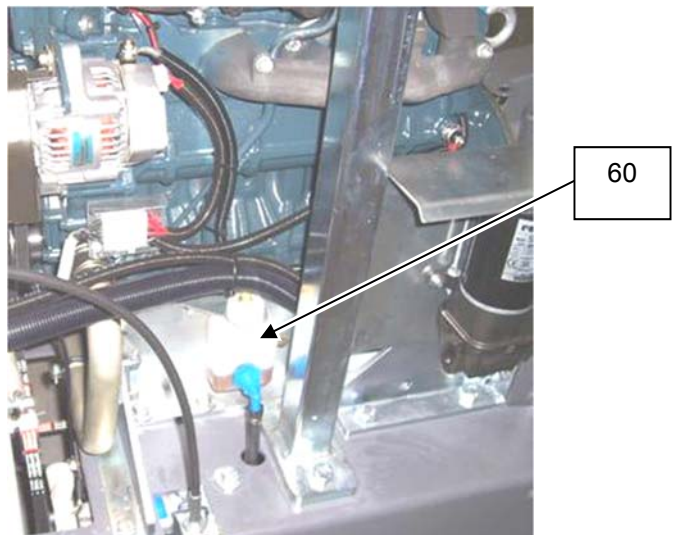


7.6 Oil change on the feed drive



- Remove cover (Pos. 55)
- Screw out the ventilation stopper (Pos. 56) from the feed drive
- Remove the drain screw (Pos. 63) under the joint cutter
- Drain the oil and return the screw (Pos. 63)
- Refill with 0.8l synthetic mineral oil CLP PG VG 220 (Aral = Degol GS 220, Esso = Glycollube 220, Mobil = Glygoyle 30, Castrol = Alphasym PG 220)
- Screw in the stopper (Pos. 56)

7.7 Check the oil level in the hydrostatic drive



- Remove the side wall (Pos. 59)
- The leveling container (Pos. 60) must be filled to the middle of the drain hose.

If required, add drive oil 20W50.

7.8 Control motor cooling water

➔ Attention!

Danger of burning!

Open the cover on the cold motor.

- Open the cover of the cooler on the upper right of the control console, the filling level must be visible on the cooling water filling neck.
- Remove cover (Pos. 55)
- The cooling water tank (Pos. 61) must be filled to the marking on the side. Attention! The fill level of the suction tank does not indicate the cooling water level!



Note

Check frost protection.

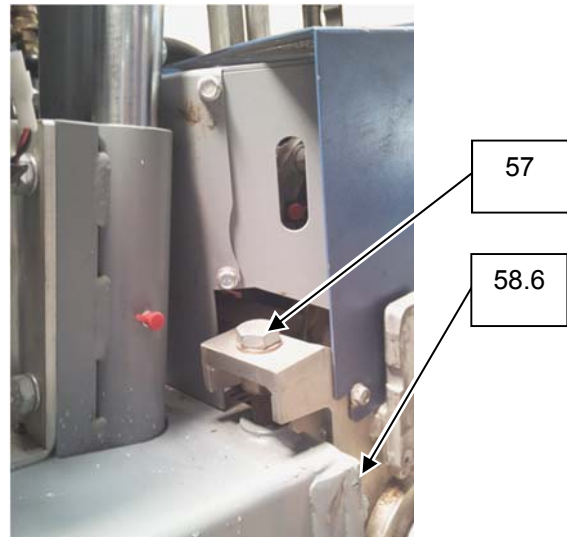
7.9 V-belt tension

7.9.1 V-belt tension on the saw blade shaft

7.9.1.1 Check

- Remove covering flap (Pos. 49)
- With a medium amount of strength, the fan belt can be pressed approx. one thickness of the fan belt inwards.

7.9.1.2 Readjustment

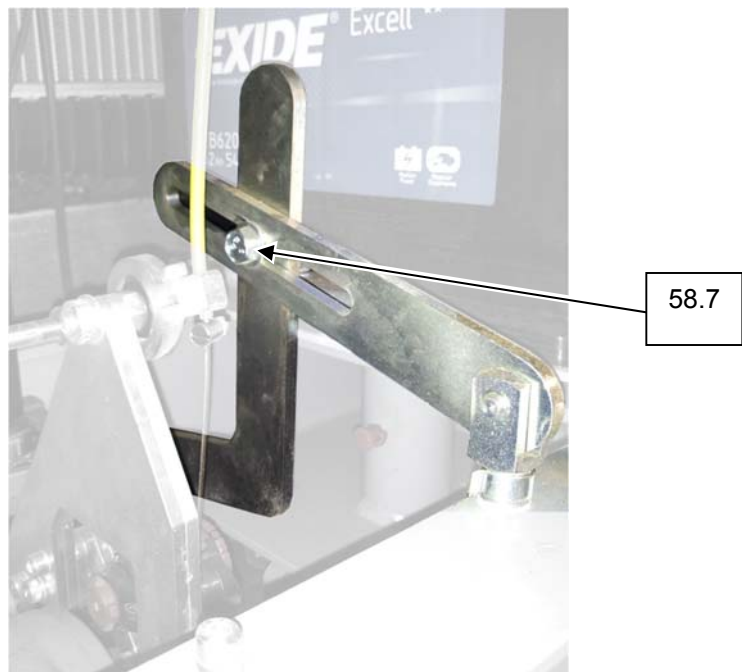


Note

Ensure that the tension on the left and right is equal using the scale (Pos. 58.6).

- Lightly loosen screws (Pos. 57)
- Set the tension at the screw (Pos. 58)
Clockwise turn → increases V-belt tension
- Retighten screws (Pos. 57)

7.9.2 Hydrostat V-belt tension



- Remove cover (Pos. 55)
- Loosen screw (Pos. 58.7)
- Push the lever rod in the direction of the cooler
Pre-tension V-belt with corresponding force
- Tighten screw (Pos. 58.7)

8. Troubleshooting table

Error	Cause	Remedy
Motor does not start	Feed lever (Pos. 20) not in the middle position	Move the lever (Pos. 20) into the middle position
	Emergency stop (Pos. 12) is active	Deactivate Emergency stop (Pos. 12)
	Fuel tank empty	See Kubota operating manual!
	Bleed the fuel line	See Kubota operating manual! > Bleed the fuel system
	Defective fuses	Exchange the fuses (Pos. 14)
Low cutting performance	V-belt slips	Re-tensioning the V-belts (see 6.9.2)
	V-belt wear	Change the v-belt
Low or unequal feed	V-belt slips	Tension V-belt (see 7.9.2)
		Change the v-belt
Lifting out does not function	Defective fuse	Exchange fuse (Pos. 14)
No cooling water on the saw blade protective hood	Water filter dirty	Clean water filter
	Water hose kinked	Check water hoses
	Water pump fuse defective	Exchange water pump fuse (Pos. 14)
	Water pump defective	Replace water pump

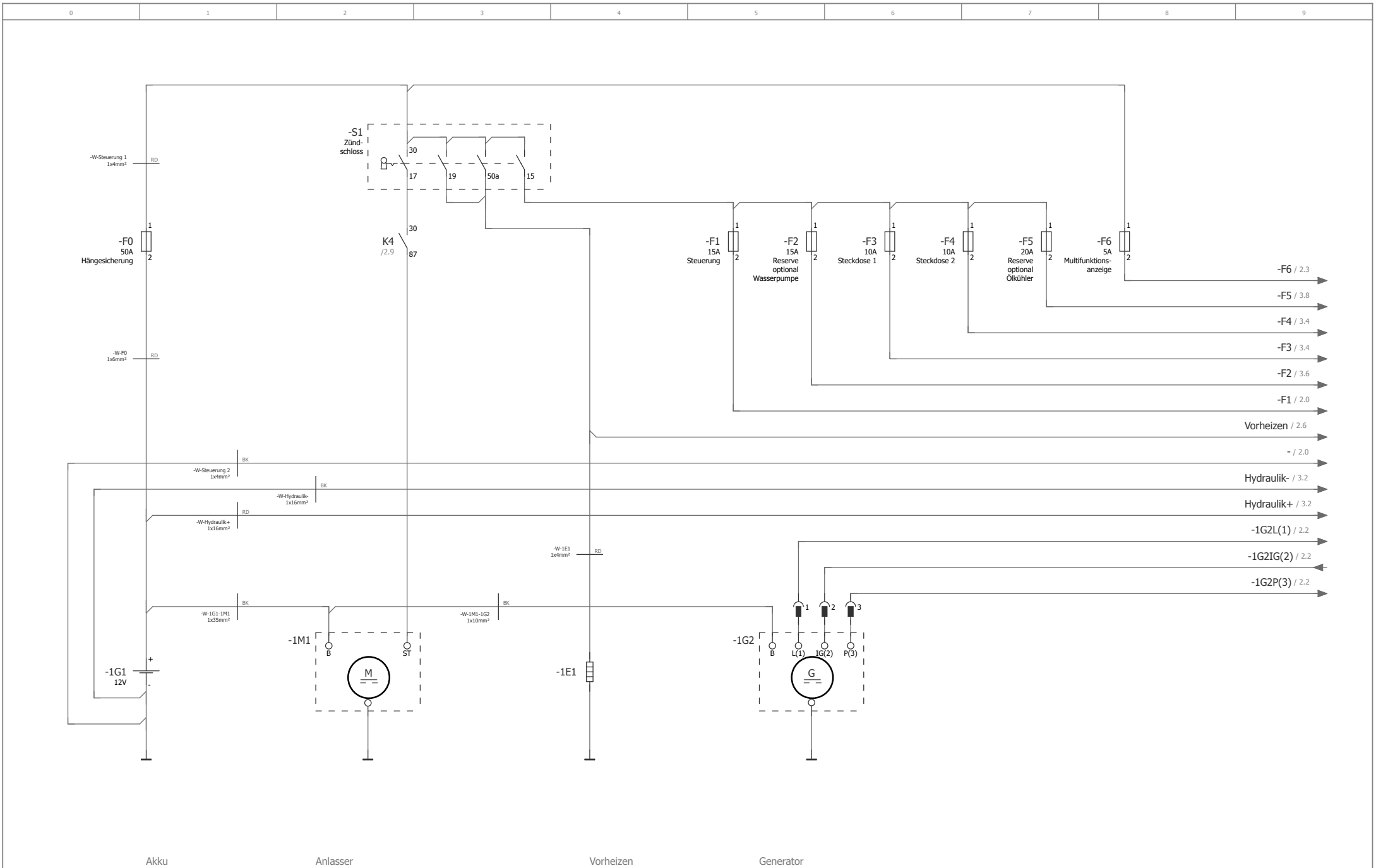
10. Warranty

The warranty for this machine is 12 months. For the following listed wear parts the warranty only applies if the wear is not caused by operation.

Wear parts are parts that with intended use of the machine have limited operational wear. The wear time is not uniformly specified, it differs according to intensity of use. Wear parts are device specific and are to be maintained, adjusted and if required exchanged according to the manufacturers' operating manual.

Wear caused by operation does not qualify for warranty claims.

- Feed and drive elements, such as toothed racks, gears, pinions, spindles, spindle nuts, spindle bearing, cables, chains, chain wheels, belts
- Seals, cable, hoses, collars, connectors, couplings and switches for pneumatics, hydraulics, water, electrical, fuel
- Guide elements, such as guide strips, guide bushings, guide rails, rollers, bearings, anti-slide plating
- Tension elements from quick-coupling systems
- Flushing head seals
- Plain and roller bearings, which do not run in oil bath
- Shaft sealing rings and sealing elements
- Friction and overload couplings, braking equipment
- Carbon brushes, collectors
- Easily dissolvable rings
- External potentiometer and manual switching elements
- Fuses and lamps
- Auxiliary and operating materials
- Fastening elements, such as pegs, anchors and screws
- Bowden cables
- Lamella
- Diaphragms
- Spark plugs, glow plugs
- Parts of reversing starters, such as crank cable, crank handle, crank roller, crank spring
- Sealing brushes, sealing rubber, splash guard cloths
- All types of filters
- Drive and deflector rollers and bracings
- Cable laying protection elements
- Running and drive wheels
- Water pumps
- Cut goods transport rollers
- Drilling, separating and cutting tools
- Transport belt
- Rubber scrapers
- Needle felt protection
- Energy storage



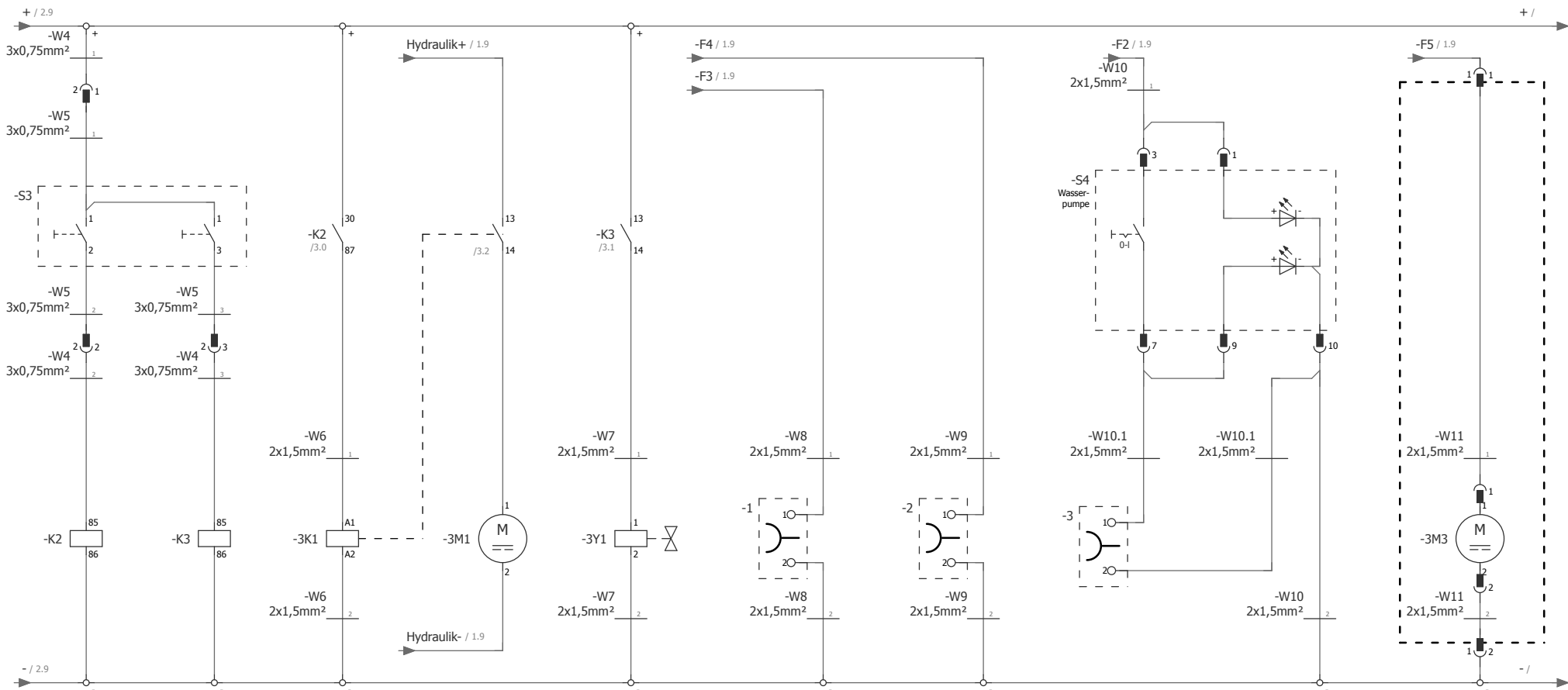
Date	07.04.2014
Edited	Abend
Checked	
Origin	

Replacement of	Multicut 800_800G_800GH Steckdose WP
Replaced by	



Dieselmotor

=	
+	
Sheet	1
Sheet	4



30 — 87 /3.2 13 — 14 /3.4 13 — 14 /3.3

Hydraulik auf Hydraulik ab Hydraulik auf Hydraulik-pumpe Ablassventil Steckdose 1 Steckdose 2 Steckdose Wasserpumpe Ölkühler optional

2

Date	09.04.2014	Multicut 800_800G_800GH Steckdose WP		Steuerung	=	+	Sheet 3	Sheet 4
Edited	Abend							
Checked								
Change	Date	Name	Origin	Replacement of	Replaced by			



This EC Declaration of Conformity is valid for the following machine:
LISSMAC Floor Cutter MULTICUT 800.

This declaration relates exclusively to the machine in the state in which it was placed on the market, and excludes components which are added and/or operations carried out subsequently by the final user. It is confirmed that the machine conforms to the relevant provisions of Directive 2006/42/EC.

Manufacturer:

LISSMAC Maschinenbau GmbH
Lanzstrasse 4
D-88410 Bad Wurzach

The technical documentation retained by
LISSMAC Maschinenbau GmbH, Lanzstrasse 4, D-88410 Bad Wurzach.

Machine description:

The floor cutter is intended for cutting grooves into concrete or asphalt.

	MULTICUT 800 G	MULTICUT 800 GH
Cutting depth (max.)	315 mm (515 mm)	315 mm (515 mm)
saw blade (max.)	800 mm (1200 mm)	800 mm (1200 mm)
traction drive forward	0-60 m/min	0-60 m/min
traction drive backward	0-25 m/min	0-25 m/min
Output power max.	44 kW / 60 PS	44 kW / 60 PS
Saw blade speed	1550 / 970 1/min	1550 / 970 1/min
Saw blade speed optional	2500 / 1550 1/min	2500 / 1550 1/min
Guaranteed noise power level:	112 dB	112 dB
Measured noise level LwA:	113 dB	113 dB
Weight	935 kg	1070 kg

Harmonised standards:

EN 13862:2010-03
EN ISO 12100 Corrigendum 1:2013-08
DIN EN 60204-1; VDE 0113-1:2007-06

Legally binding representative:

LISSMAC Maschinenbau GmbH
Gewerbepark West
Lanzstrasse 4
88410 Bad Wurzach
Tel.: +49 (0) 7564 / 307 - 0
Fax: +49 (0) 7564 / 307 - 500
Mail: lissmac@lissmac.com
www.lissmac.com

Bad Wurzach, 01.02.2016

ppa. Benjamin Mayer
(Head of Development Construction Technology)

