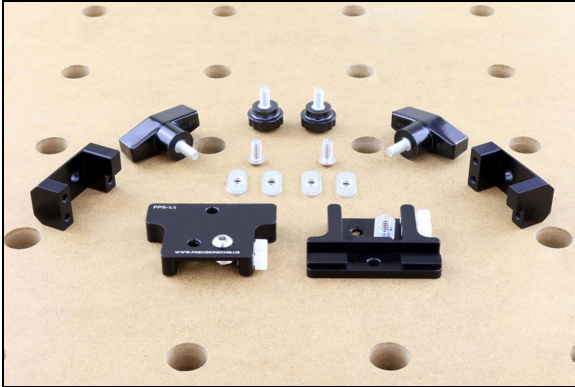


Precision Parallel Guides Manual v1.2

updated: 5.20.2020

Basic Set

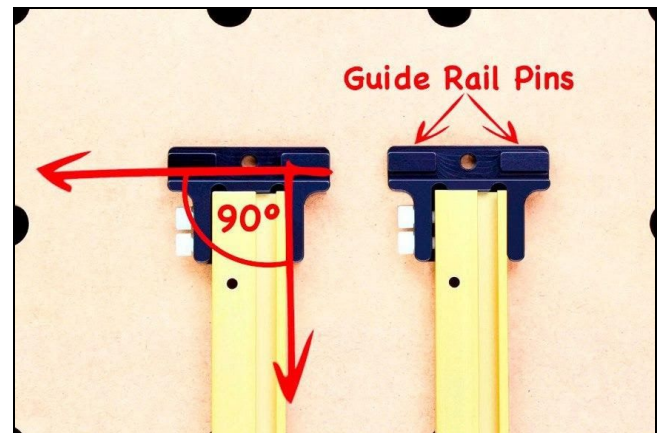


Contents

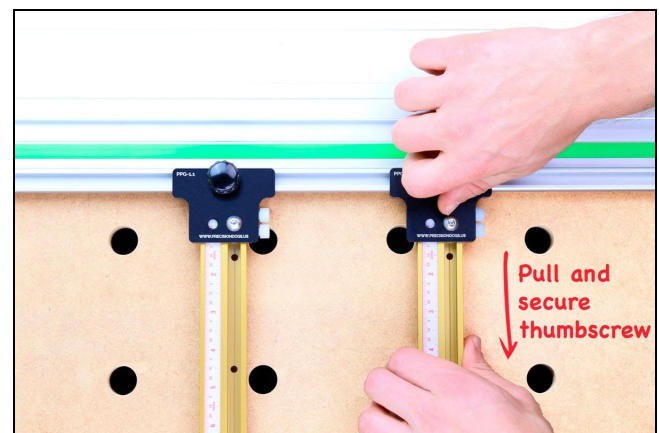
- (2) Guide Rail brackets with (2) round knobs, (2) button head screws, and (4) adjustment screws.
- (2) Length Adapters with (2) oversized T-knobs.
- (6) T-nuts (1/4-20 thread).

Basic set Initial Calibration.

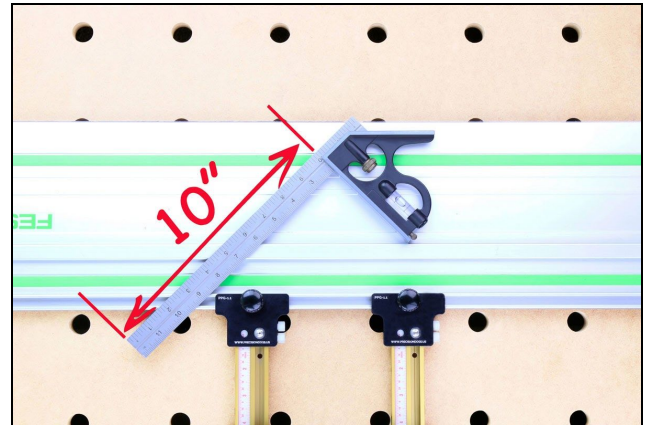
1a. Insert Incra T-track into the Guide Rail adapter's slot using pre-installed T-nut as a guide and loosely tighten the button head screw. Manually tighten nylon screws until T-track Plus is flush with the opposite side of the Guide Rail adapter's slot. Once this is done, tighten the metal button head screw. This will set Guide Rail adapter's guiding pins and T-track extrusion at a perfect 90 degree angle, regardless of thickness variation from the extrusion process. Repeat with the second adapter.



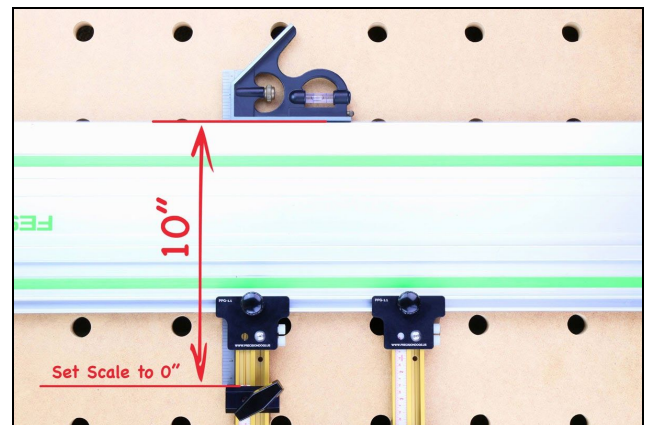
2a. Slide Guide Rail adapters into the Guide rail slot. Adjust Guide Rail adapter until the guiding pins are flush with the outside lip of the Guide Rail, then tighten the knob as pictured below. The Guide rail adapters and T-track extrusions assembly is now perpendicular to your Guide Rail.



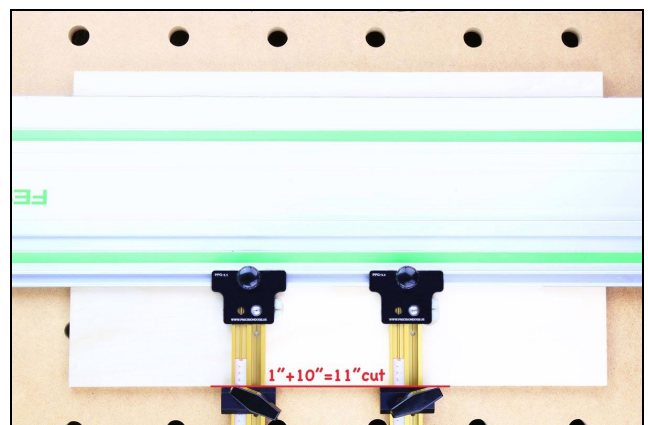
3a. Take a stop ruler, a combination square (as pictured on the right), or any other measuring device with an adjustable stop. Set it to 10" (or 250mm in Metric). Slide Length adapter onto the T-Track Plus without securing it.



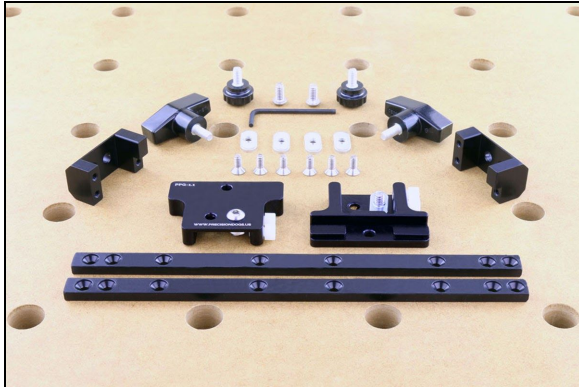
4a. With your measuring device set to 10" slide it under the Guide Rail while making its stop flush with the splinter guard strip. Slide Length adapter along the T-track edge that is opposite to white screws on Length adapter until its foot touches the edge of your device, then secure the knob. Pull adjustable scale on the T-Track so that "0" on the scale is aligned with the inner edge of the length adapter. Repeat with the second Guide rail adapter. Your guides are now calibrated.



5a. Sample Cut. To make a cut 10" or above simply add 10 inches (or 250mm in metric) to the scale. To make an 11" cut you need to set your length adapter to 1" (1+10) on the scale as pictured. For 15" width of cut set Length adapter to 5" on the scale and so on.



Complete Set

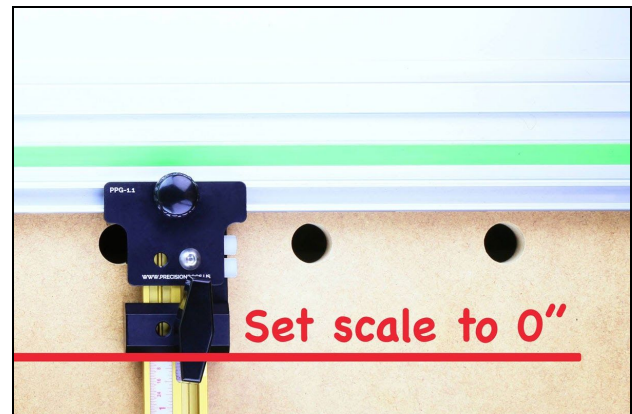


Contents

- (2) Guide Rail brackets with (2) round knobs.
- (4) button head screws with (4) adjustment screws.
- (2) Length Adapters with (2) oversized T-knobs.
- (2) Spacers with (6) set screws.
- (6) T-nuts (1/4-20 thread).
- (1) 1/8" hex L-shaped wrench.

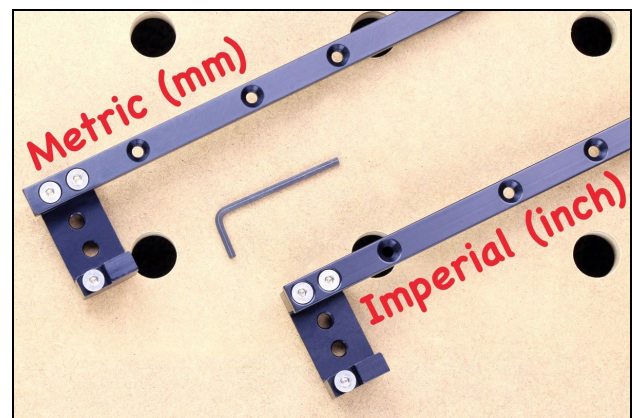
Complete set Initial Calibration for narrow cuts.

Option1. Complete set can be calibrated the same way as the Basic set. After calibration attach Spacers to Length adapters and either subtract 1" or 25mm from the scale when setting your Length of cut (2" on the scale will yield 1" cut, 3" will yield 2" cut and so on), or simply adjust the scale after calibration by setting zero not in front of the length adapter (facing guide Rail), but back as pictured below, which will make your scale equal to your cut (1" on scale=1" length of cut, and so on)

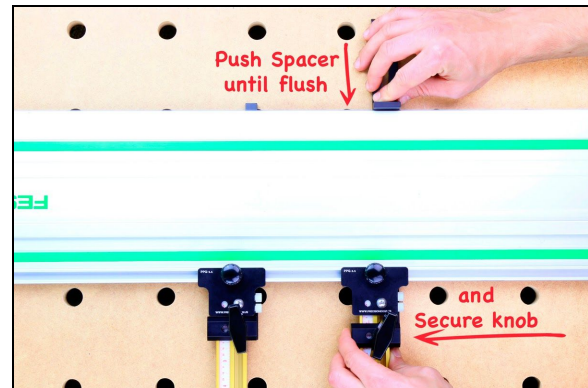


Option2. Follow steps 1a-2a from Basic set calibration.

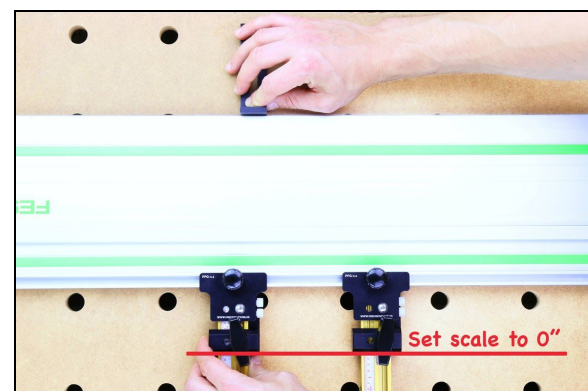
1b. Attach Spacer to a Length Adapter using a 1/8" hex wrench (supplied). Depending on which scale you are using (metric or imperial) choose the side to be tightened (prior to fully tightening the set screws, have them finger-tight to allow adjustment and proper alignment). To **Metric only customers we offer Parallel Guides with metric only spacers (anodized red)**. Once Red spacers are attached, they will look like Imperial on the picture (no stand-off).



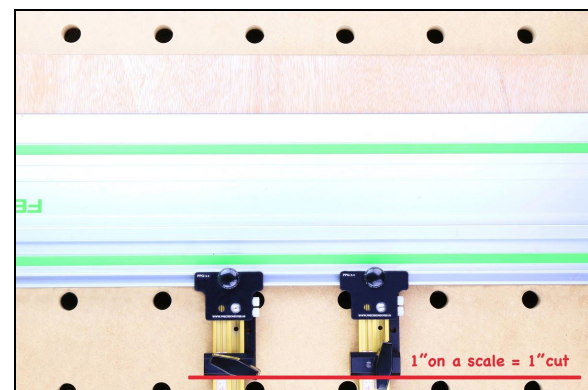
2b. Slide in Length Adapter with Spacer attached using T-track extrusion edge opposite to the white screws as a guide with attached Spacer until the Length adapter touches the Guide Rail adapter (Spacers should appear under your Guide rail). Take a short straight edge or any block of wood with a side perpendicular to its surface and push Spacer until your straight edge hits guide rail's splinter guard strip. Once it does, tighten a thumbscrew on the Length Adapter.



3b. Slide tape measure on a T-Track until 0 (zero) is aligned with a side of a Length Adapter opposite to the guide rail. Once this is done, your system has been calibrated and scales adjusted.



4b. Sample Cut. To make a 1" cut simply set back side of the Length adapter to 1" and make a cut. 2" on a scale will yield 2" cuts and so on. Chamfered edge on a Length Adapter eliminates parallax so setting the length is done quickly, without any extensive eyeballing, while delivering a consistent result.



NB. For ripping wide stock you can continue to slide the Length adapter until you reach the end of a T-Track or you may remove Spacers and use only Length adapters to index your stock.

If you have any questions please reach out. We enjoy communications with our customers and love feedback!

email: info@precisiondogs.us

Call or Text Us: (213) 290-5076 (Mon-Fri, 10am-6pm PST)