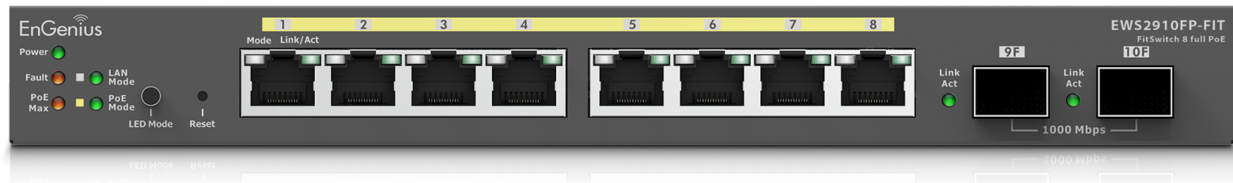


EWS2910FP-Fit



# EnGenius Fit 8-Port 110W Gigabit PoE Switch

Simple • Secure • Smart



The EnGenius Fit Managed Switch EWS2910FP-FIT is an 8-port Gigabit PoE+ Layer 2 plus switch with a 110W PoE budget and 2 SFP uplink ports. It offers multiple management options for small business network environments, allowing you to select the cloud or on-premises management option that best suits your needs. With its business-class features, the EnGenius Fit Managed Switch provides secure, reliable, and high-performance switching while reducing capital and operating expenses for cost-conscious small businesses.

## Key Benefits

- 8 10/100/1000 Base-T GbE ports
- Full-featured layer 2 plus switching
- 802.3at PoE ready on all ports with 110W PoE budget
- 20 Gbps switching capacity
- Setup in minutes with app-based step by step instructions
- Quick-scan device register, remote monitoring, and troubleshooting
- Real-time system metrics, analytics, and remote configurations
- Hybrid switch supports multiple management options
- From anywhere cloud visibility and control
- Monitor a site or multiple sites with no recurring cost or licensing fee
- Security - access control list/port security; 802.1x authentication
- IGMP & MLD snooping provides advanced multicast filtering & network efficiency
- 802.3ad Link Aggregation (LACP), Spanning Tree (STP), Rapid Spanning Tree (RSTP) & Multiple Spanning Tree (MSTP)
- Voice VLAN for fast, reliable deployment of VoIP services
- Advanced QoS with IPv4/IPv6 ingress traffic filtering (ACLs) & prioritization
- Standards-based technology ensures interoperability with existing standards-based network devices
- Dual firmware images improve reliability & network uptime

## Technical Specifications

### EWS2910FP-Fit

#### Port Standards

802.3 10Base-T Ethernet

802.3u 100Base-TX Ethernet

802.3ab 1000Base-T Ethernet

802.3x Full-Duplex Flow Control

#### Network Ports

8 10/100/1000 Mbps Ports

2 10/100/1000 Mbps SFP Ports

#### PoE Capable Ports

1-8 (802.3af/at)

All Gigabit Ethernet ports can output up to 30 Watts

#### Total PoE Budget

110W

#### SDRAM

256MB

#### Flash Memory

32MB

#### Power Source

100 ~ 240VAC, 50-60Hz

#### Physical Interface

##### LED Indicators

Power LED

Fault LED

---

PoE Max LED
LAN Mode LED
PoE Mode LED
<b>Ports</b>
Link/Activity/Speed (per Ethernet port)
<b>Software Features</b>
<b>Multiple IP Interface</b>
20 IPv6 address
<b>ARP Table</b>
Max. 192 ARP entries
<b>Static ARP</b>
Static 192 ARP entries
<b>IPv4 Static Route</b>
Max. 63 entries
<b>IPv6 Static Route</b>
Max. 21 entries
<b>Software Features (L2 Feature)</b>
<b>MAC Address Table</b>
8K
<b>Jumbo Frame</b>
9K
<b>Multicast Group</b>
Max 256 groups
<b>Port Security</b>
Max. 256 Entries
<b>SSL Certificate</b>
Certificate/Key Update
<b>L2 Features</b>
802.1d Spanning tree
Loopback Detection
Multicast Filtering
IGMP Multicast Forwarding
IGMP Snooping
MLD Multicast Forwarding
802.1Q VLAN tagging
802.3x flow control
802.3ad Link Aggregation
802.1d Spanning tree:
• RSTP
• CIST
• MSTP
MAC Address Check-up
ARP Inspection
ARP Packet Validation (additional validation checks)
Voice VLAN
Port-based VLAN
Protocol-Based VLAN
CoS Mapping
802. 1X Radius Authentication
Pv4 Settings

---

IPv6 Settings
IEEE 802. 3az Energy Efficient Ethernet (EEE)
Command Line Interface (CLI)
SSH Server
Telnet Server
TFTP Client
Configuration Upgrade/ Backup
Simple Network Time Protocol (SNTP)
SYSLOG
802.1d Spanning tree
<b>L3 Feature</b>
IGMP Snooping
MLD Snooping
DHCP Snooping
DHCP Relay
Static Route
<b>Port Settings</b>
Multicast Filtering
EEE
Port Isolation
Port Mirror
Jumbo Frames
LLDP
<b>Security</b>
802. 1X Radius Authentication Protocol Access
• Web:
HTTP Service
HTTPs Service
• Command Line Interface (CLI):
Telnet Service
SSH Service
Port Security
Radius Server
DoS Prevention
<b>System Settings</b>
IP Settings:
• IPv4 Management
• IPv6 Management
• IPv4 Network
ARP Table
ARP Statistics
Simple Network Time Protocol (SNTP)
<b>Analyze</b>
Log:
• Local Logging
• Remote Logging
<b>Diagnostic</b>
• Cable Diagnostics
• Ping Test
• IPv6 Ping Test
• Trace Route
• Connection Diagnostic

### (Access Control List (ACL

MAC Based ACL

MAC ACE

IPv4 ACL

IPv4 ACE

IPv6 ACL

IPv6 ACE

ACL (Port) Binding

### SNMP

SNMP v1/v2c/v3 Support

### RMON

RMON 1,2,3,9

### QoS

CoS Mapping

DSCP Mapping

Port CoS

Bandwidth Control

Storm control

Advanced Mode:

- Class Mapping

### MIB/RFC Standards

RFC1213

RFC1493

RFC1757

RFC2674

RFC2863

### Environmental & Physical

#### Temperature Range

Operating: 32°F to 104°F (0°C to 40°C)

### (Humidity (Non-Condensing

Operating: 5% - 95%

### Package Contents

1x Fit Managed 8 Ports Gigabit Switch

1x Power Adapter

Product Card

Wall mount kit

### Dimensions & Weights

#### EWS2910FP-Fit Device

Weight: 1.36 lbs. (620 g)

Length: 9.44" (240 mm)

Width: 4.13" (105 mm)

Height: 1.06" (27 mm)

### Packaging

Weight: 3.3 lbs. (1495 g)

Length: 10.67" (271 mm)

Width: 6.61" (168 mm)

Height: 3.34" (85 mm)

### Master Carton

Weight: 36.15 lbs. (16.4 kg)

Length: 17.40" (442 mm)

Width: 13.66" (347 mm)

Height: 10.98" (279 mm)

### No. of product boxes per master carton

10 units

### Certifications

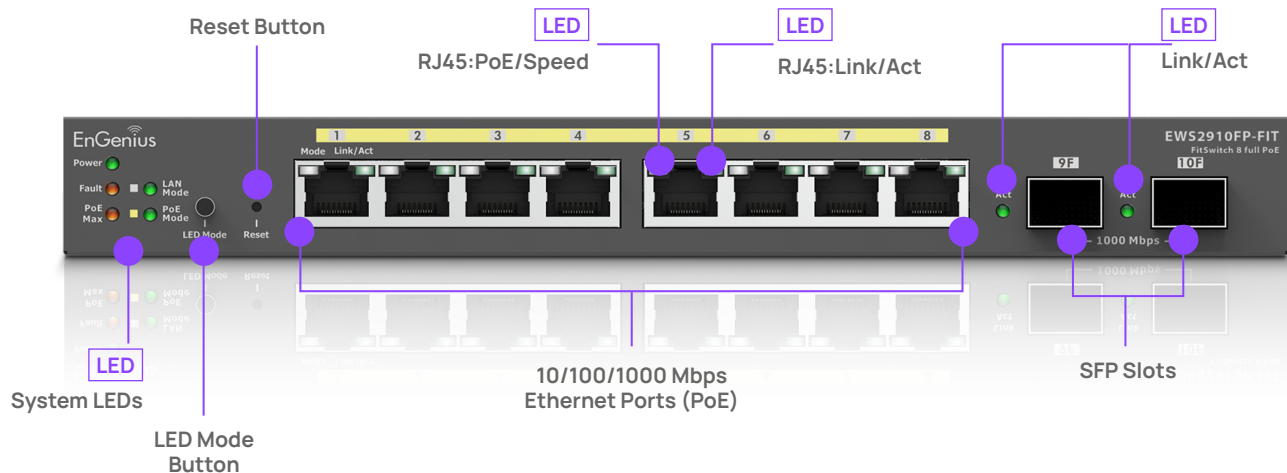
CE, FCC, IC

### Warranty

1 year

Advice Electronics Ltd. Advice Building, 16 Atir Yeda St., Kfar Saba, 4464321, Israel • Tel: +972-3-9000900 • advice@advice.co.il • www.advice.co.il

## Product Images



## Product Images

